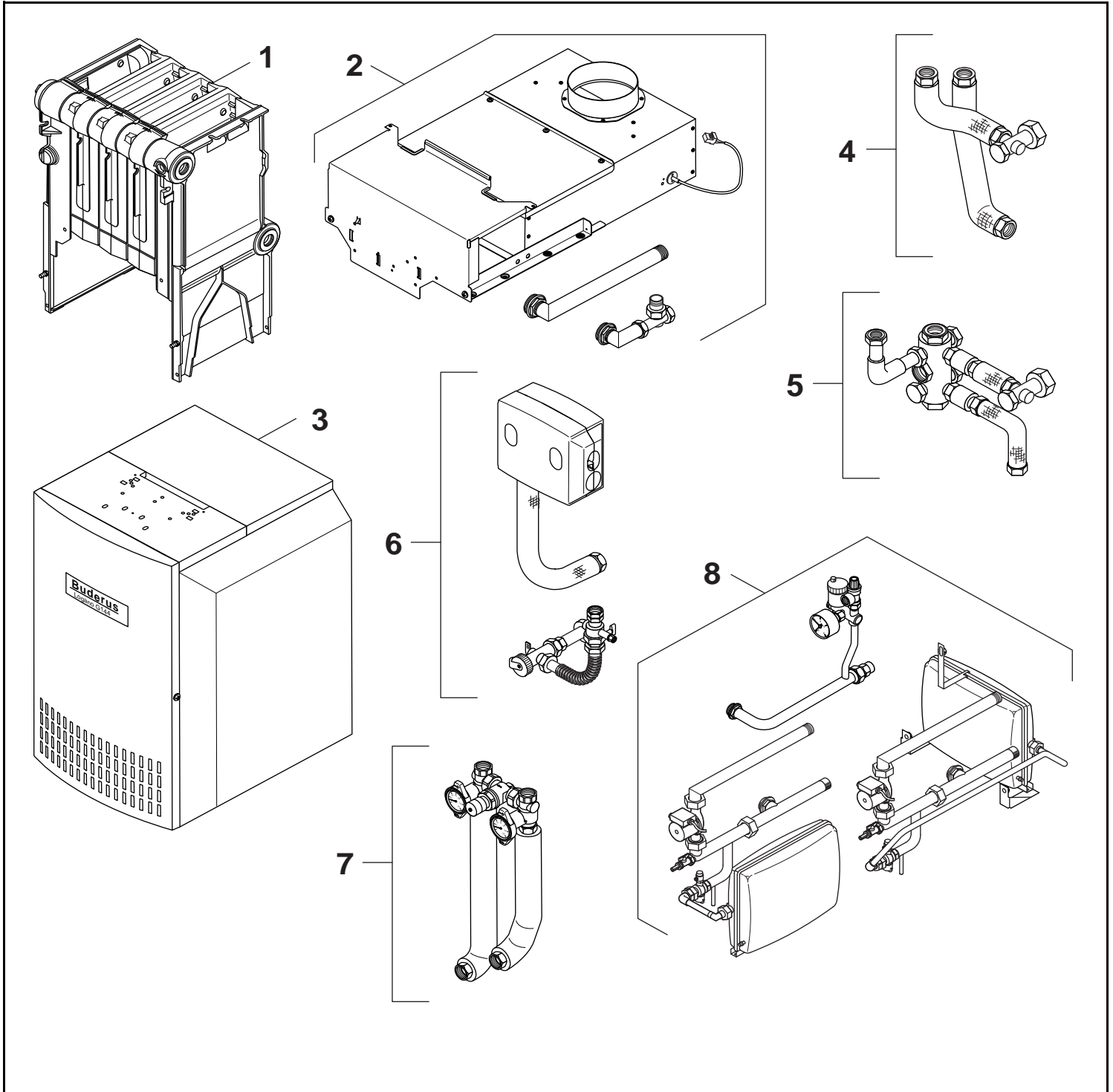


G144

13-32kW



Buderus

Wichtige Hinweise

- Ersatzteile dürfen nur von einem zugelassenen Installateur eingebaut werden!
- Im Anhang finden Sie:
 - die Übersetzungen aller verwendeten Teilebezeichnungen
 - eine Übersicht der Gerätetypen und Länder, für die diese Ersatzteilliste gilt.

Important notes

- The spare parts may only be installed by an approved installer!
- In the appendix you will find:
 - a list of translations of the names of all parts used
 - a list of the models and countries to which this spare parts list applies.

Indications importantes

- L'installation des pièces de rechange doit être effectuée par un professionnel qualifié!
- Veuillez trouver en annexe:
 - les traductions de toutes les désignations des pièces utilisées
 - une vue globale des types de chaudières et des pays pour lesquels la présente liste des pièces de rechange est valable.

Informações importantes

- Peças de substituição só podem ser montadas por um técnico credenciado!
- Em anexo encontra:
 - as traduções das designações de todas as peças utilizadas.
 - lista dos aparelhos e países para os quais esta lista de peças de substituição é válida.

Avvertenze importanti

- Le parti di ricambio possono essere montate esclusivamente da personale qualificato ed in possesso dei requisiti tecnico-professionali!
- In appendice sono reperibili:
 - traduzione di ogni descrizione relativa alle varie parti di ricambio
 - elenco di sigle e codici, corrispondente ai vari paesi di destinazione.

Indicaciones importantes

- Los repuestos solamente deben ser montados por los servicios técnicos oficiales de la marca!
- En el anexo podrá encontrar:
 - la traducción de todas las denominaciones de piezas empleadas
 - una relación de los tipos de aparato y países en los que se aplica esta lista de repuestos.

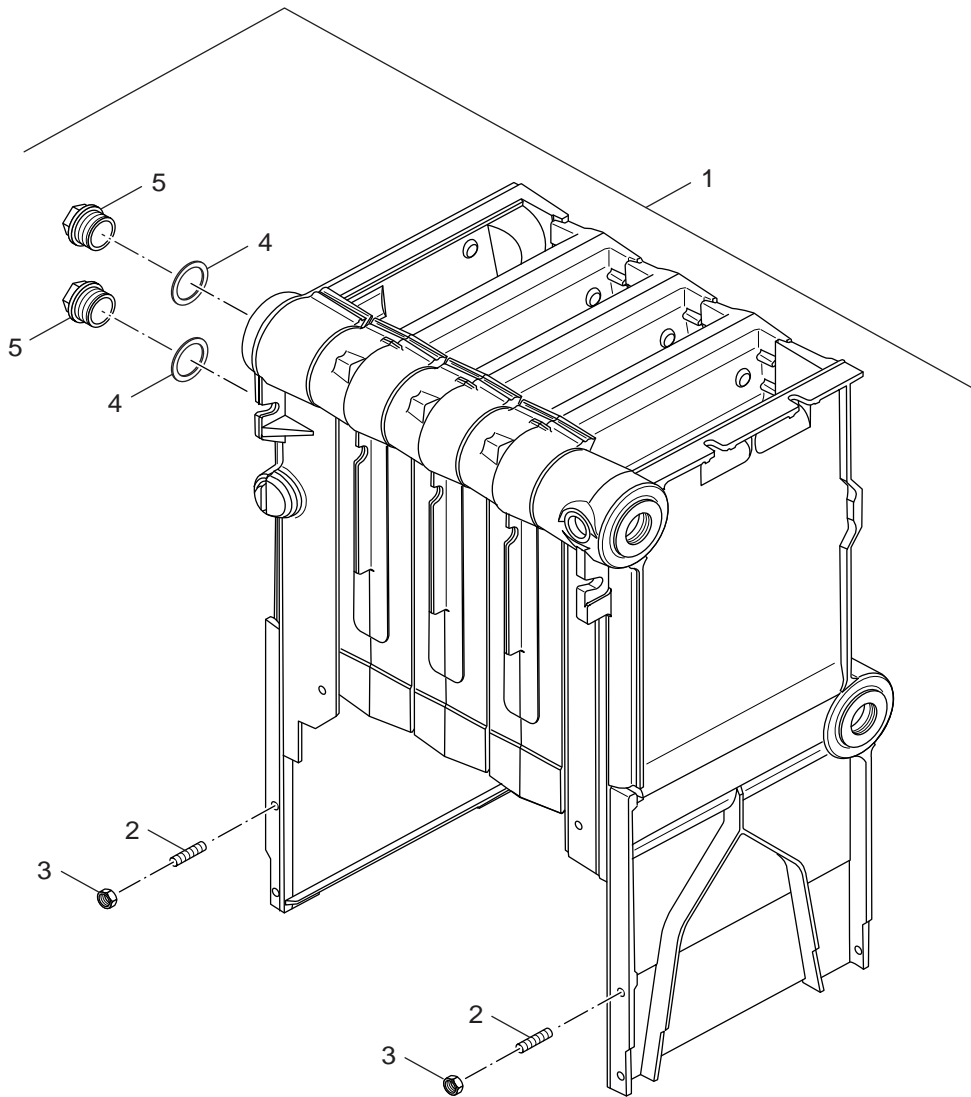
Belangrijke aanwijzing

- Onderdelen mogen alleen door een erkend installateur worden vervangen!
- In de bijlage vindt u:
 - de vertalingen van de gebruikte onderdelentekeningen
 - een overzicht van toesteltypen en de landen waarvoor deze onderdelenlijst bedoeld is.

Önemli Bilgiler

- Yedek parçalar sadece yetkili tesisatçılar tarafından monte edilebilir!
- Aşağıdaki bilgileri ekli olarak bulabilirsiniz:
 - Tüm kullanılan parça tanımlarının tercümelemleri
 - Bu yedek parça listesinin geçerli olduğu tüm cihaz çeşitleri ve ülkelerin özeti.

Ersatzteilliste
Spare parts list



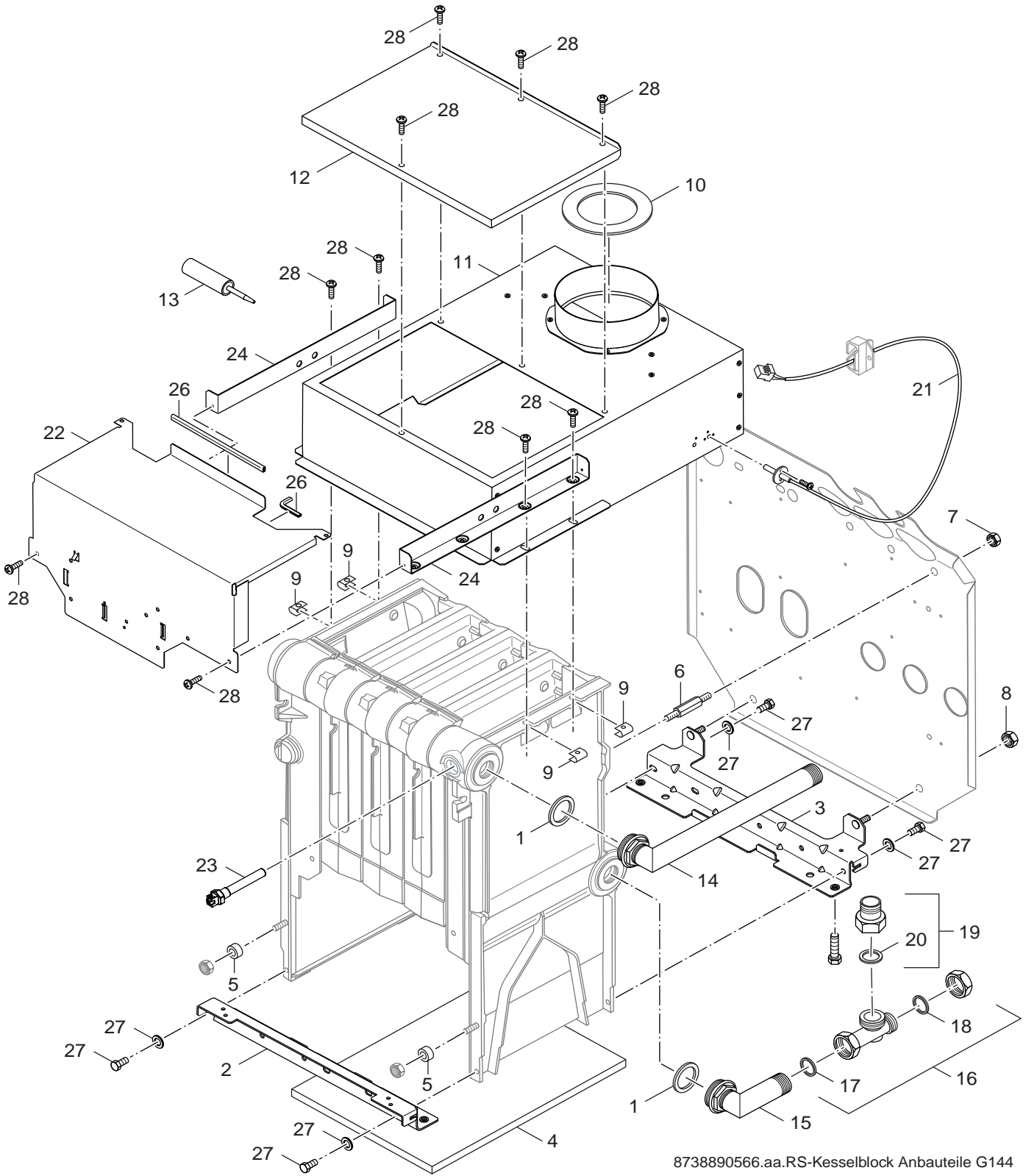
6720905005.aa.RS-Kesselblock G144 Eco

Kesselblock
Boiler block

G144
13-32kW

1

Ersatzteilliste
Spare parts list



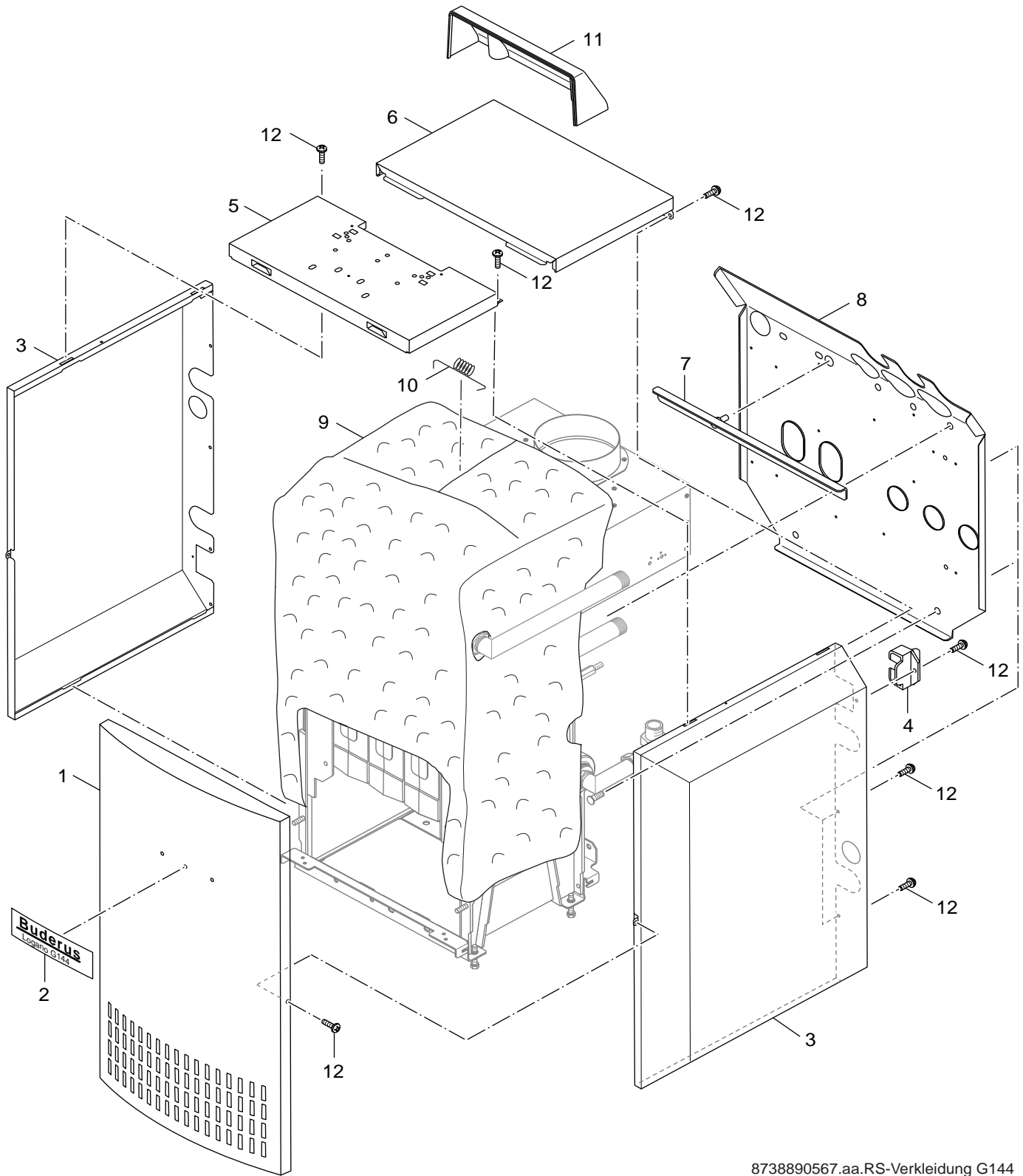
8738890566.aa.RS-Kesselblock Anbauteile G144

Kesselblock-Anbauteile
Boiler block attachment

G144
13-32kW

2

Ersatzteilliste
Spare parts list



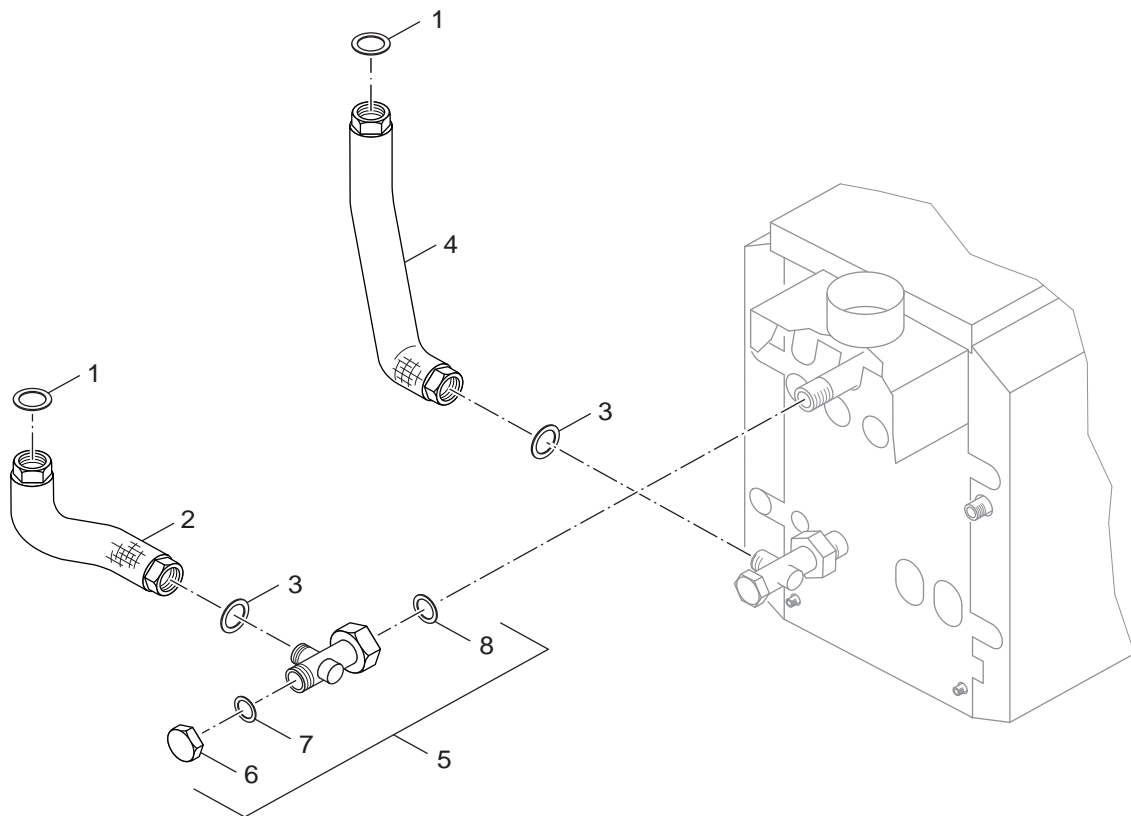
8738890567.aa.RS-Verkleidung G144

Verkleidung
Housing

G144
13-32kW

3

Ersatzteilliste
Spare parts list



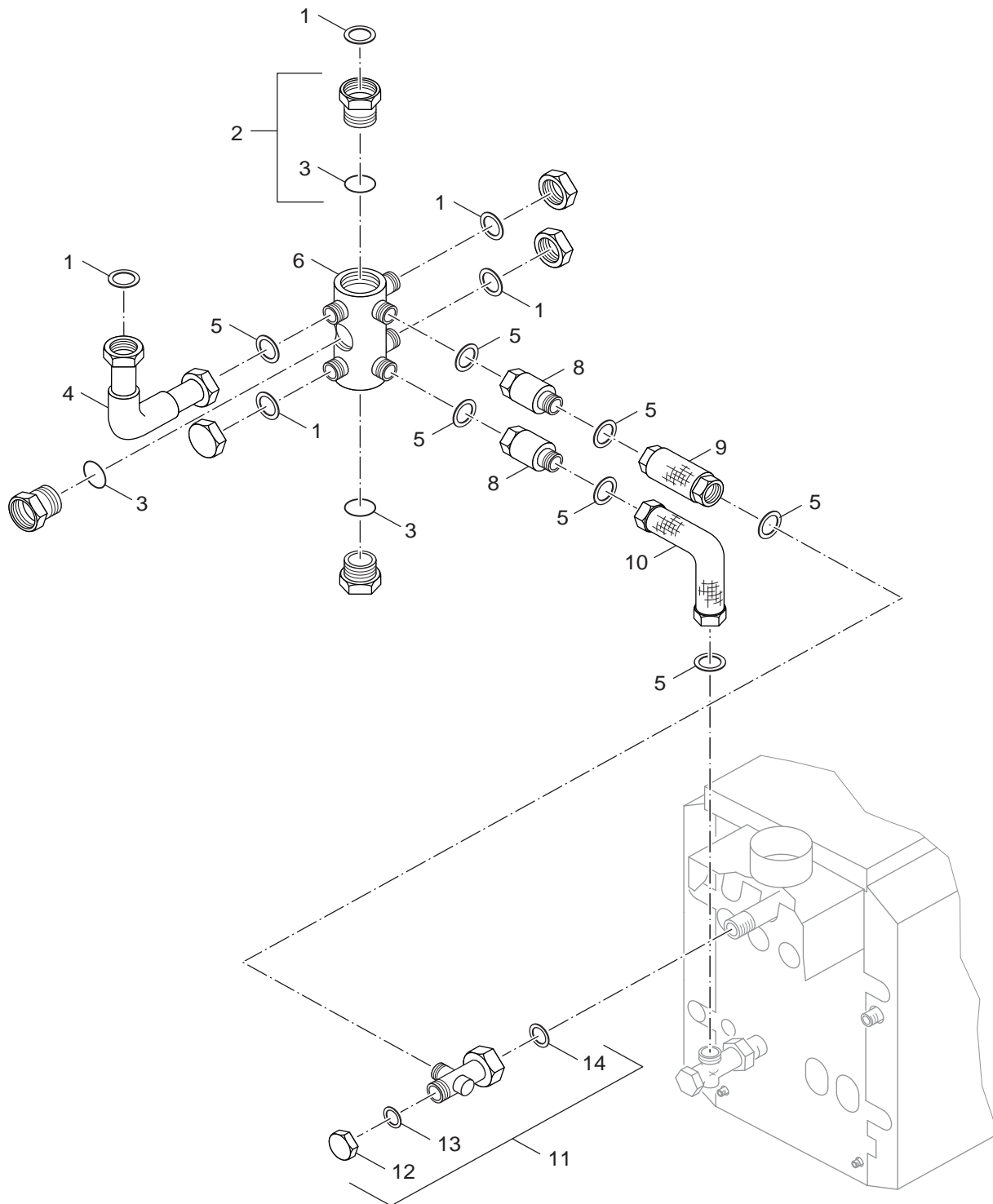
6720905008.aa.RS-Kesselanschluss-Set senkrecht KAS1 G144 Eco

Kesselanschl-Set senkr KAS1
Boiler connection KAS1

G144
13-32kW

4

Ersatzteilliste
Spare parts list



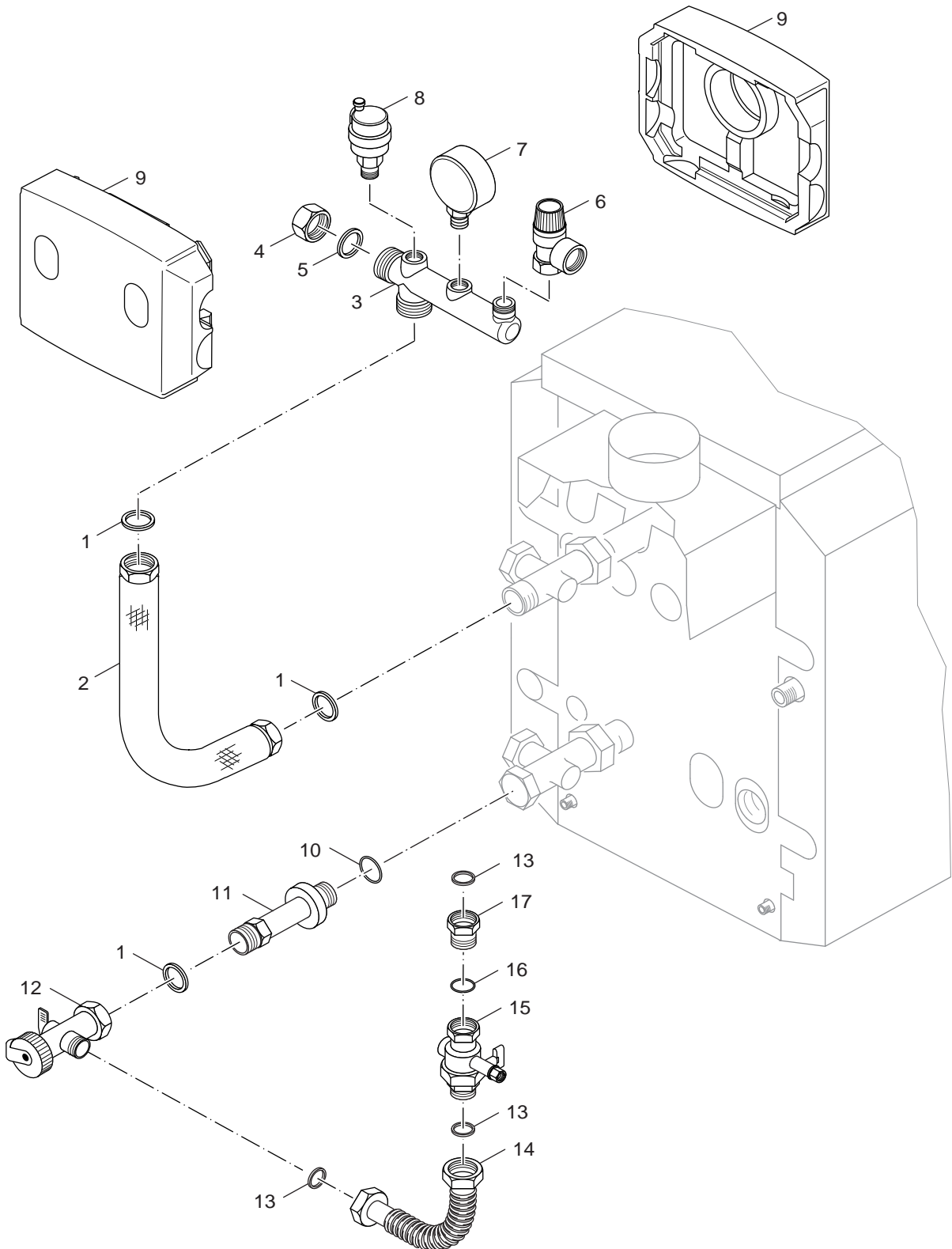
6720905009.aa.RS-Kesselanschluss-Set waagrecht KAS2 G144 Eco

Kesselanschl-Set waager KAS2
Boiler connection KAS2

G144
13-32kW

5

Ersatzteilliste
Spare parts list



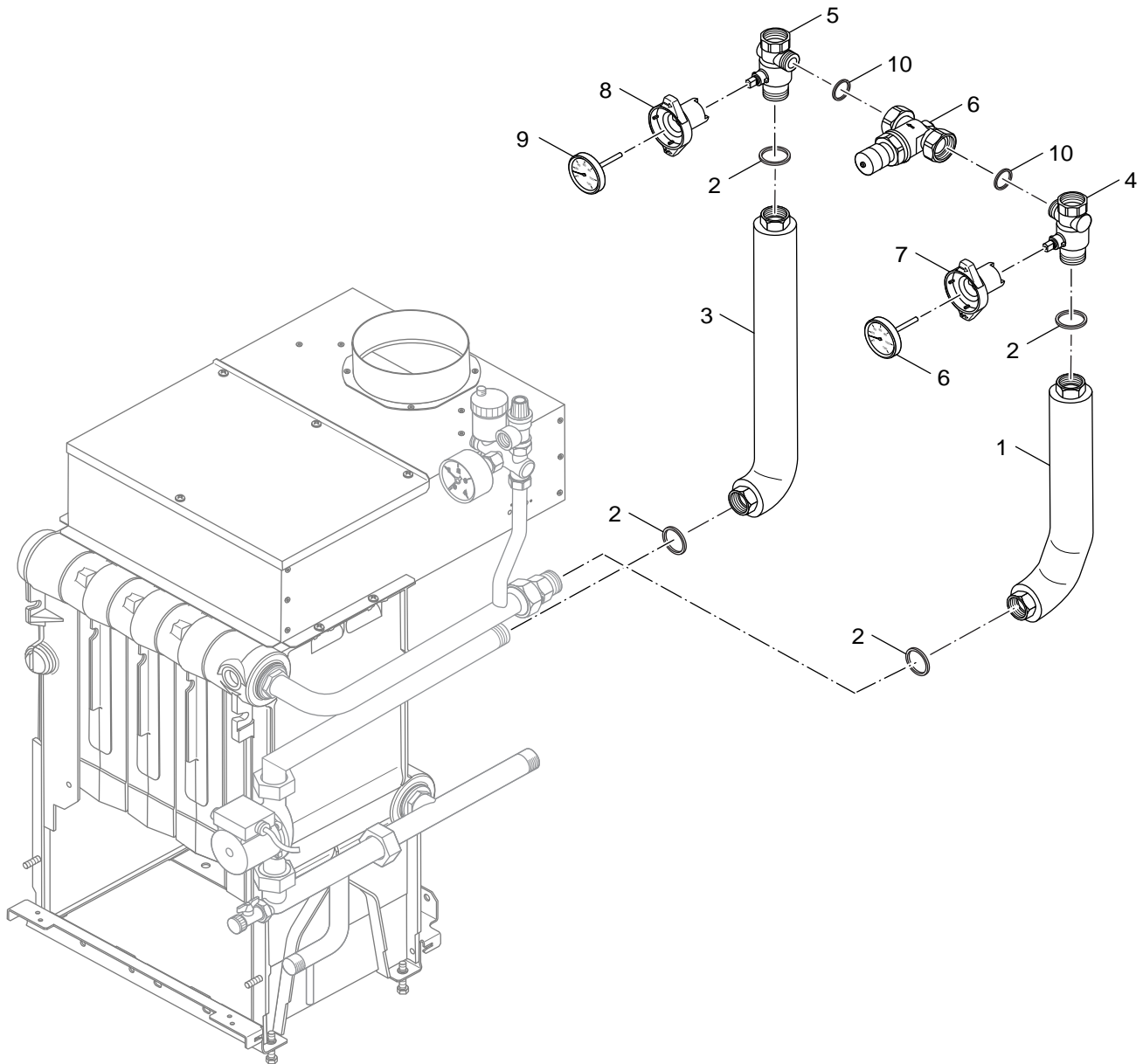
6720905010.aa.RS-Sicherheits-Set KSS, Ausdehnungs-Entleerungs-Set AAS G144 Eco

Sicherheitsset KSS Ausd/Entlset AAS
Safety group KSS

G144
13-32kW

6

Ersatzteilliste
Spare parts list



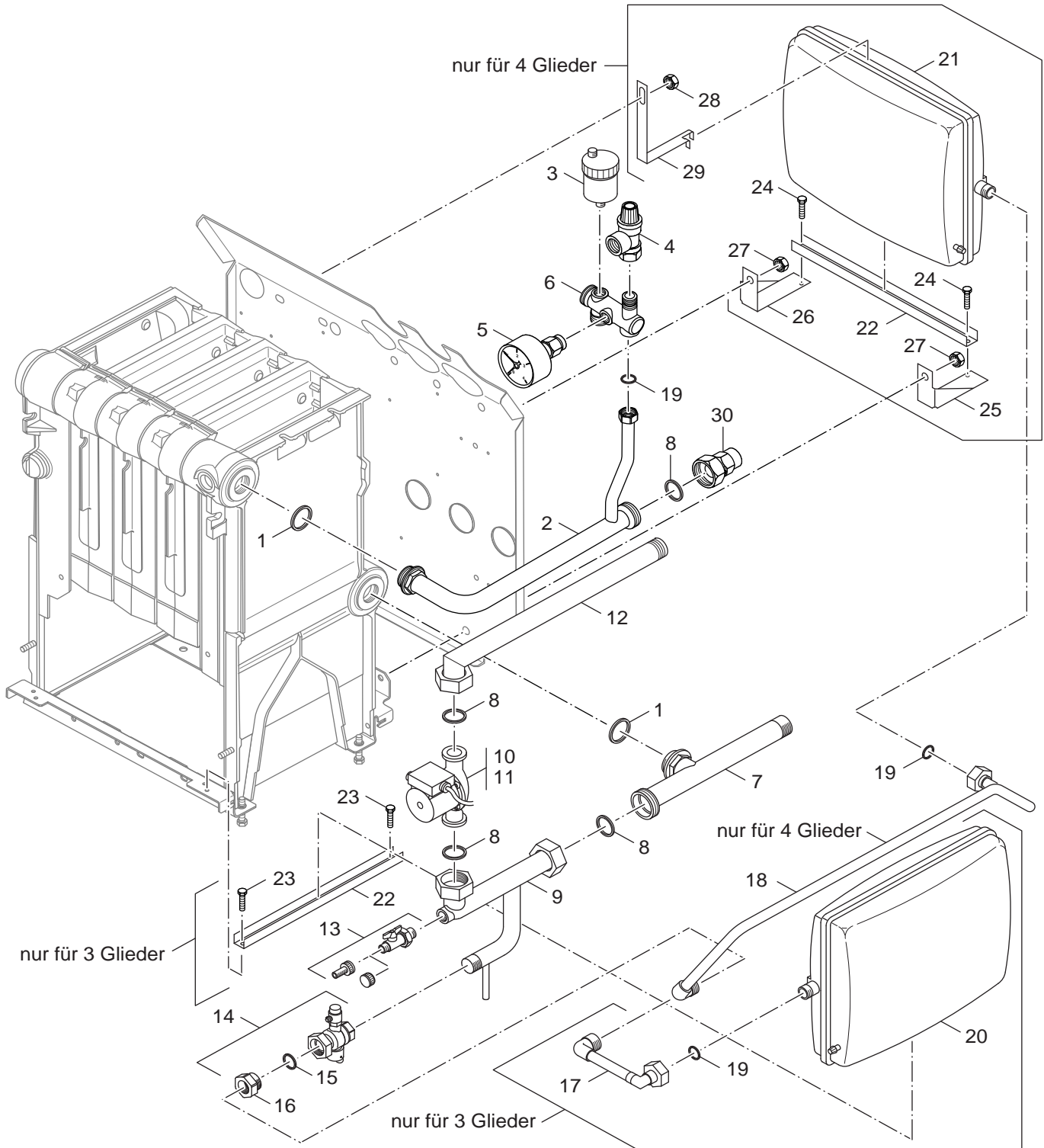
6720905011.aa.RS-Heizkreisanschluss-Set HS/V G144 Eco

Heizkreisanschlußset HS/V
Connection set HS/V

G144
13-32kW

7

Ersatzteilliste
Spare parts list



6720905012.aa.RS-Verrohrung mit Ausdehn-Gefäß und Pumpe G144 Eco

Verrohrung m Ausdehngefäß u Pumpe
pipework
8

G144
13-32kW

Übersetzungsliste
List of translations

Pos	Description
1 Element of construction	
1	Boiler block G144 /V 3sect
2	Stud DIN939 M8x30 5.6
3	Hexagon nut DIN6923 M8 A3K (10x)
4	Gasket D41,7x55x1,5mm AFM 34, white
5	Blanking plug G 1 1/4
2 Element of construction	
1	Gasket D41,7x55x1,5mm AFM 34, white
2	Bottom rail G124X
3	ground rail G124X rr/G144 rr
4	Thermal insulation for head unit 3 sec.
5	Spacer DN8x8
6	Spacer bolts M8x63,5
7	Hexagon nut DIN6923 M8 A3K (10x)
8	Hex nut DIN6923-M10-8.8-A3K with
9	Snap nut 4,8-SNU2012
10	Insert G134 Gr22/4 sec.
11	Coll hood G144 3sect
12	Clean-out cover G144 3sect
13	Gasket kit PK-W11 310ml cartridge
14	Flow bracket R 1" 357 long
15	Return bracket R 1" 92 long
16	Tee
17	Gasket D24x30.5x2mm AFM34, white
18	Gasket D18x30x2mm EPDM80, black (5 pc)
19	Connection for Heating return R1"
20	Gasket D27x38x2mm C4400 Klinger SIL,
21	Exhaust resignation fuse G144
22	Partition G144
23	Sensor boiler G1/4 75 D=11
24	Cross brace bw G144
26	Edge protection kit 65+80+160lg
27	Installation material boiler block G124X
28	installation mat draft inducerG144/G244
3 Element of construction	
1	Cover G144 ECO
2	Badge R=776 Logano G144
3	Side panel
4	Cable clip
5	Hood fr G124X/G144
6	Hood rr G124X
7	Angle 3x30/20x463 with knurled bolts
8	Rr panel G144
9	Heat insu boiler bl G124X/G144 3sect
10	Retaining spring (10Pc)
11	Conn hood MC10 blue
12	Installation material
4 Element of construction	
1	Gasket D27x38x2mm C4400 Klinger SIL,
2	Flow pipe G1 1/4 KAS1 V2
3	Gasket D27x38x2mm C4400 Klinger SIL,
4	Return pipe G1 1/4KAS1 V2
5	Tee
6	Locking cap G1"
7	Gasket D18x30x2mm EPDM80, black (5 pc)
8	Gasket D24x30.5x2mm AFM34 (10pc)

Übersetzungsliste
List of translations

Pos	Description
5	Element of construction
1	Gasket D27x38x2mm C4400 Klinger SIL,
2	Part insert G1 1/4"x G1" for MFV
3	gasket kit O-ring V2
4	Angle G1 1/4" for MFV
5	Gasket D27x38x2mm C4400 Klinger SIL,
6	Distributor MFV
8	Extension kit for KAS 2/G124 for boiler
9	Flow pipe G1 1/4 for KAS2
10	Return pipe G1 1/4 for KAS2
11	Tee
12	Locking cap G1"
13	Gasket D18x30x2mm EPDM80, black (5 pc)
14	Gasket D24x30.5x2mm AFM34 (10pc)
	Thermal insulation for MFV 190mm deep
6	Element of construction
1	Gasket D24x30.5x2mm AFM34 (10pc)
2	Connecting pipe for boiler G124X
3	Distributor KSS V3
4	Locking cap G1"
5	Gasket D18x30x2mm EPDM80, black (5 pc)
6	Membrane safety valve MS for closed
7	Pressure gauge for closed conn.,
8	Automatic air purging system 3/8"
9	Thermal insulation safety kit V3
10	gasket kit O-ring V2
11	Double nipple G1xG1 89 long
12	Fill and Drain valve G1XG3/4
13	Flat gasket kit 1
14	Metal hose DN20 1000mm long
15	Cap valve G3/4xG3/4
16	O-ring 22x2,5 70EPDM/281
17	Reducing piece G1"AG-G3/4"IG
7	Element of construction
1	flow pipe HS/V G144V
2	Gasket D24x30.5x2mm AFM34 (10pc)
3	return pipe HS/V G144V
4	Ball valve VK CGM sets HS/V
5	Ball valve RK CGM sets HS/V
6	relief valve CGM sets HS/V
7	Handle Ball valve G1 red
8	Handle Ball valve G1 blue
9	Thermometer D50 TI50,5xD5,0-120°C
10	Sealing D24x17x2 AFM34 (10pc)
8	Element of construction
1	Gasket D41,7x55x1,5mm AFM 34, white
2	flow R1 G144V
3	Automatic air purging system 3/8"
4	Membrane safety valve MS 1/2, 3 bar
5	Pressure gauge G3/8" D50, axial 0 -4 bar
6	distributor G3/4 breather
7	Return connection Tee R1" connection
8	Gasket D32x44x2mm C4400 Klinger SIL,
9	Return connection R1"compl
10	Pump RS25/4-3 180mm Ltg.2800 9h
11	Pump UPS25-40 180mm Ltg.2800 9h
12	return flow departure R1 G144V

Bosch Thermotechnik GmbH
Sophienstraße 30-32
D-35576 Wetzlar
www.buderus.de

Buderus