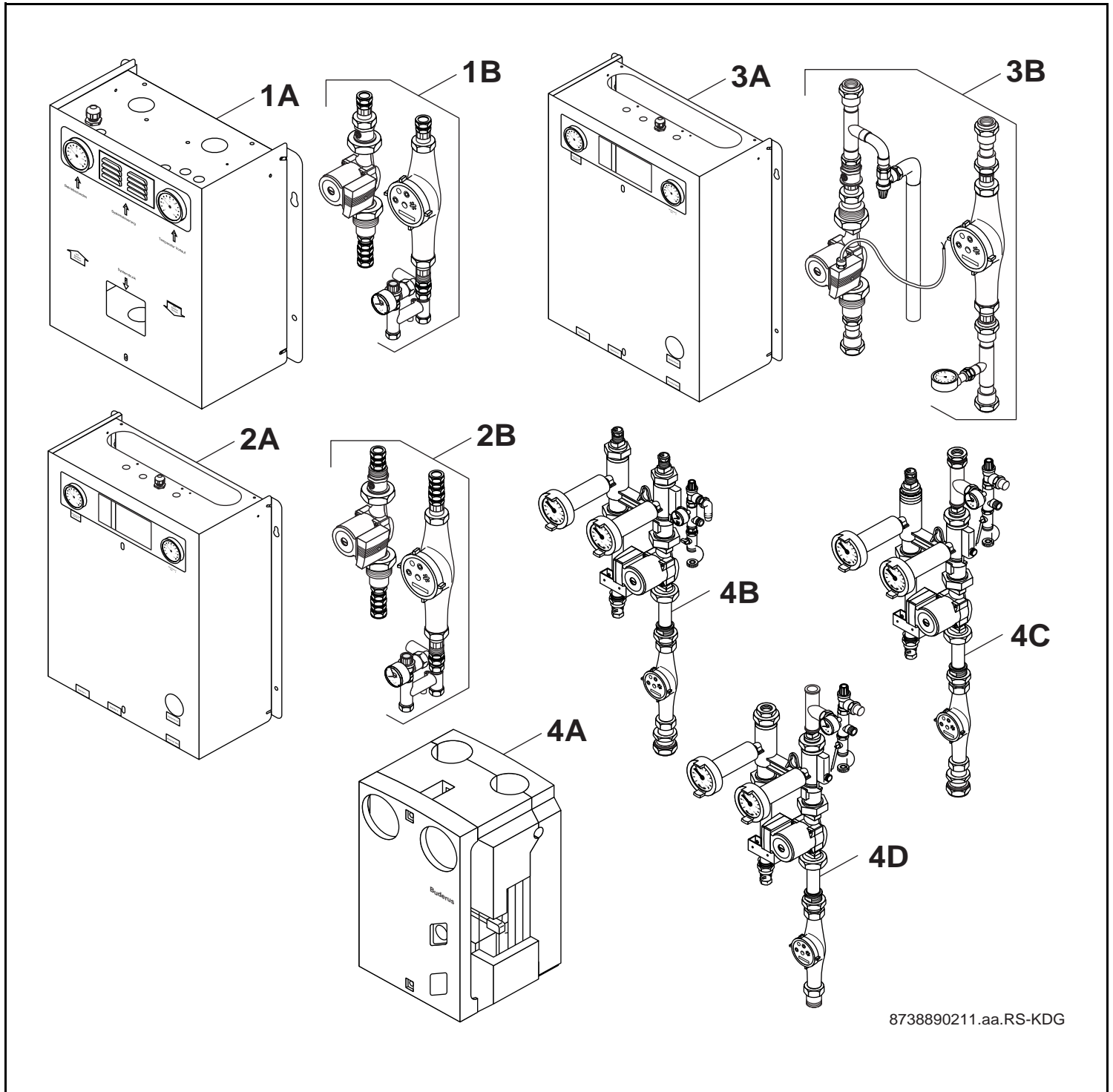


KDG 1/20,1/70,25/60,32/80



8738890211.aa.RS-KDG

Buderus

Wichtige Hinweise

- Ersatzteile dürfen nur von einem zugelassenen Installateur eingebaut werden!
- Im Anhang finden Sie:
 - die Übersetzungen aller verwendeten Teilebezeichnungen
 - eine Übersicht der Gerätetypen und Länder, für die diese Ersatzteilliste gilt.

Important notes

- The spare parts may only be installed by an approved installer!
- In the appendix you will find:
 - a list of translations of the names of all parts used
 - a list of the models and countries to which this spare parts list applies.

Indications importantes

- L'installation des pièces de rechange doit être effectuée par un professionnel qualifié!
- Veuillez trouver en annexe:
 - les traductions de toutes les désignations des pièces utilisées
 - une vue globale des types de chaudières et des pays pour lesquels la présente liste des pièces de rechange est valable.

Informações importantes

- Peças de substituição só podem ser montadas por um técnico credenciado!
- Em anexo encontra:
 - as traduções das designações de todas as peças utilizadas.
 - lista dos aparelhos e países para os quais esta lista de peças de substituição é válida.

Avvertenze importanti

- Le parti di ricambio possono essere montate esclusivamente da personale qualificato ed in possesso dei requisiti tecnico-professionali!
- In appendice sono reperibili:
 - traduzione di ogni descrizione relativa alle varie parti di ricambio
 - elenco di sigle e codici, corrispondente ai vari paesi di destinazione.

Indicaciones importantes

- Los repuestos solamente deben ser montados por los servicios técnicos oficiales de la marca!
- En el anexo podrá encontrar:
 - la traducción de todas las denominaciones de piezas empleadas
 - una relación de los tipos de aparato y países en los que se aplica esta lista de repuestos.

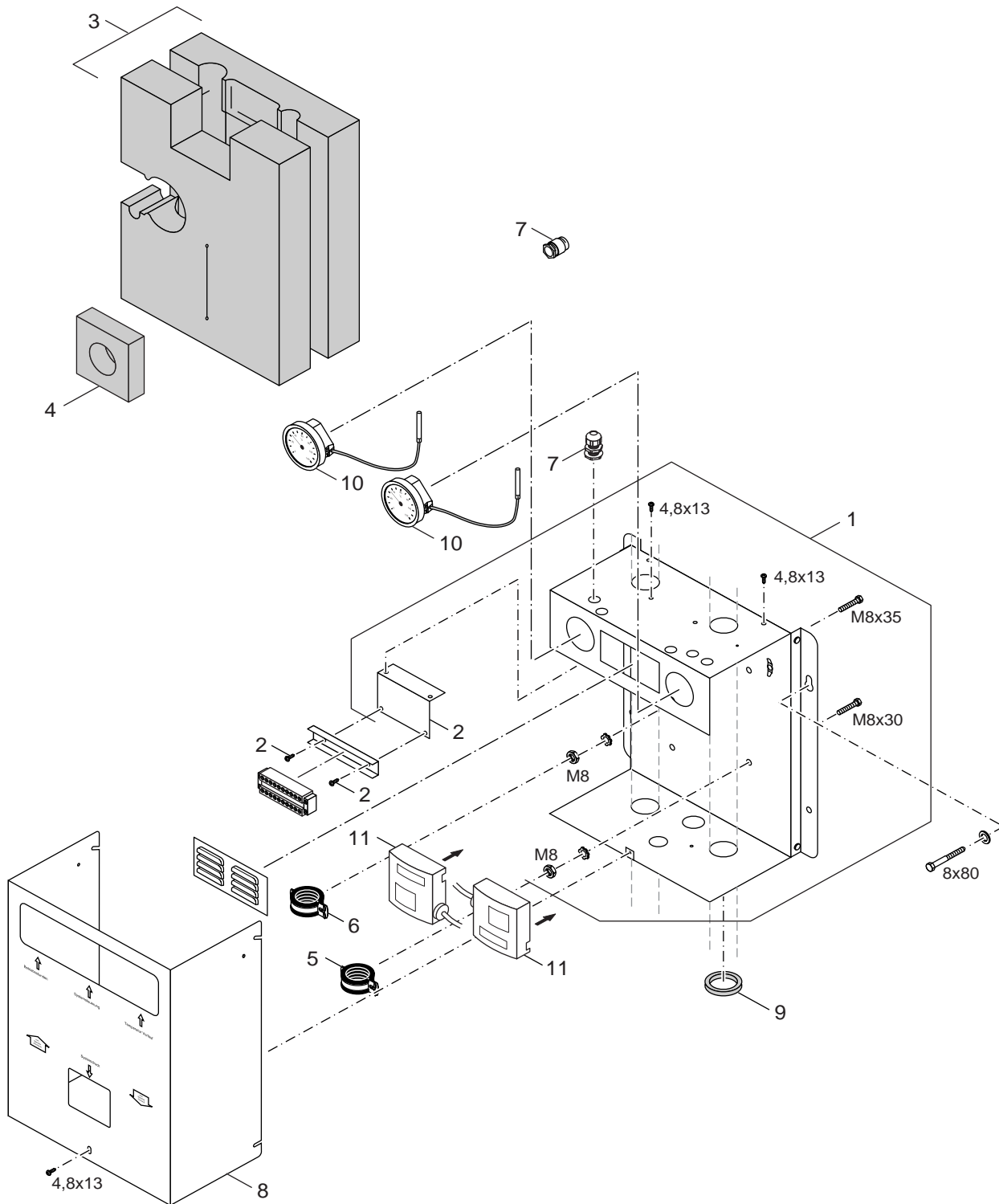
Belangrijke aanwijzing

- Onderdelen mogen alleen door een erkend installateur worden vervangen!
- In de bijlage vindt u:
 - de vertalingen van de gebruikte onderdelentekeningen
 - een overzicht van toesteltypen en de landen waarvoor deze onderdelenlijst bedoeld is.

Önemli Bilgiler

- Yedek parçalar sadece yetkili tesisatçılar tarafından monte edilebilir!
- Aşağıdaki bilgileri ekli olarak bulabilirsiniz:
 - Tüm kullanılan parça tanımlarının tercümelere
 - Bu yedek parça listesinin geçerli olduğu tüm cihaz çeşitleri ve ülkelerin özeti.

Ersatzteilliste
Spare parts list



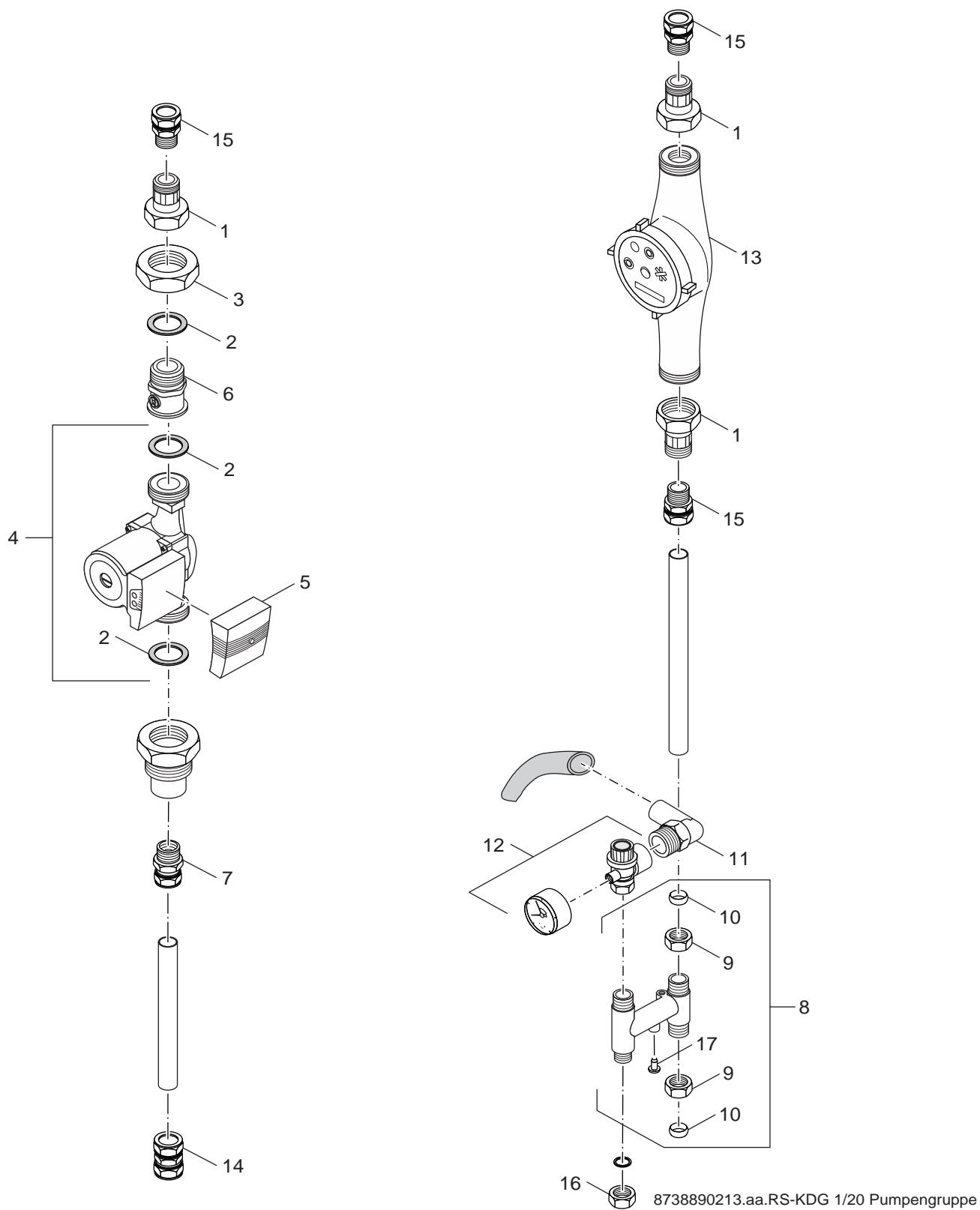
8738890212.aa.RS-KDG 1/20 Gehäuse

1
A

Gehäuse KDG 1/20
casing KDG 1/20

KDG 1/20,1/70,25/60,32/80

Ersatzteilliste
Spare parts list

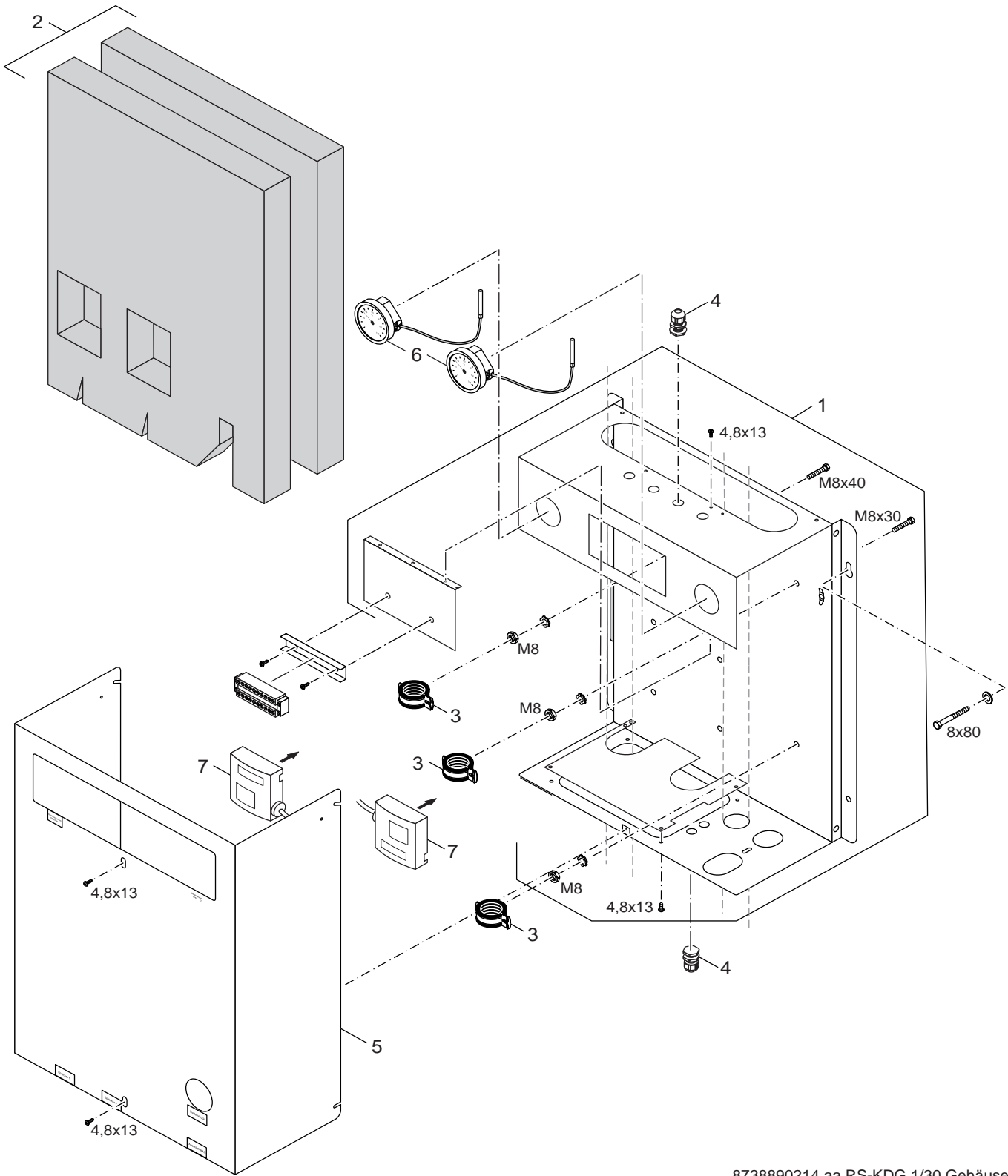


1
B

Pumpengruppe KDG 1/20
pump set KDG 1/20

KDG 1/20,1/70,25/60,32/80

Ersatzteilliste
Spare parts list



8738890214.aa.RS-KDG 1/30 Gehäuse

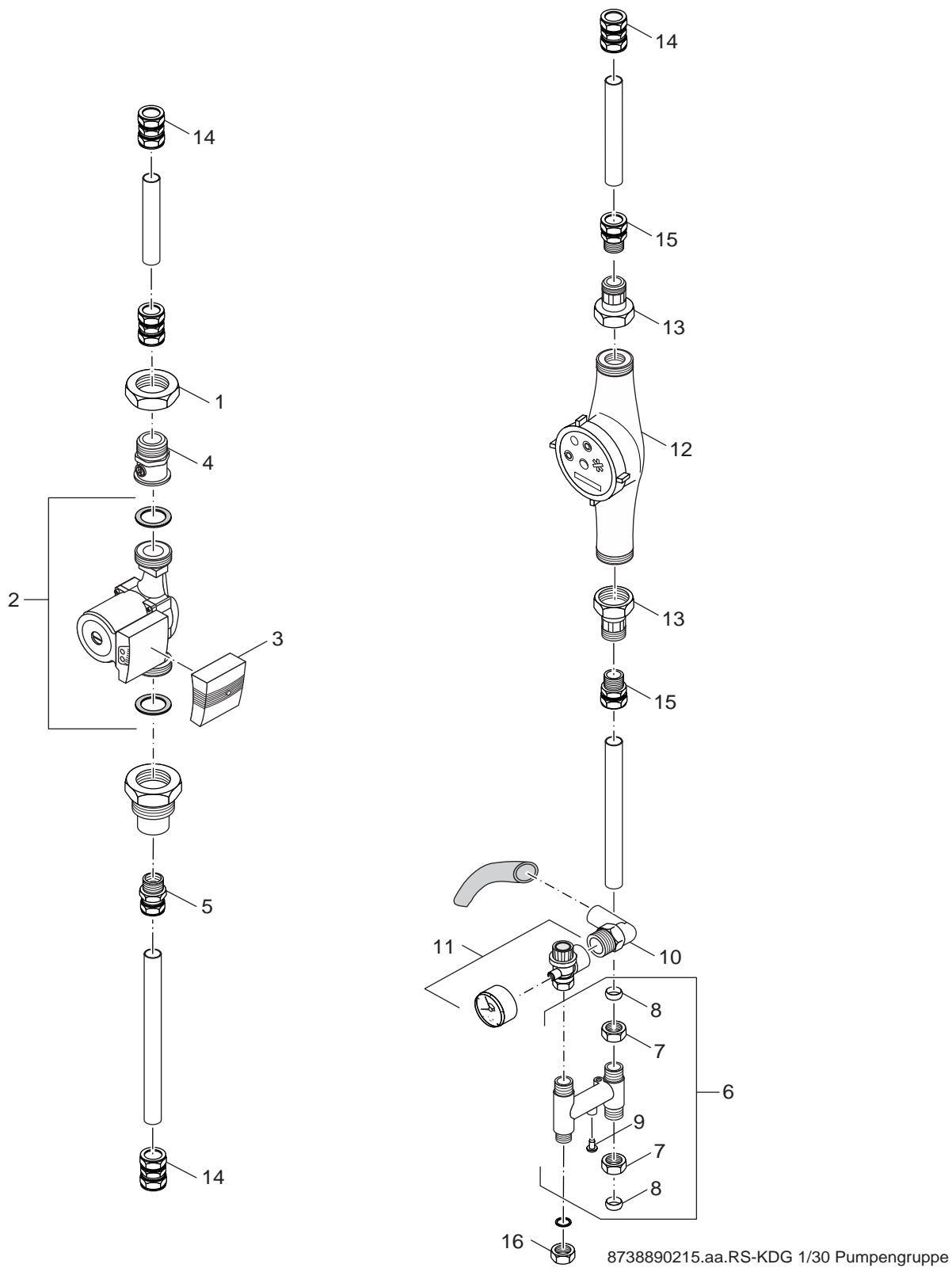
2
A

Gehäuse KDG 1/30
casing KDG 1/30

KDG 1/20,1/70,25/60,32/80

Pos	Bezeichnung description	S-Nr	Bestell-Nr. Ordering no.	Gasart gas type	KDG 1/20-1/70, 25/60																Bemerkungen Remarks
1	Grundplatte KS/KD 2/ RAL7012		80427272		■																
2	Wärmeschutz KS/KD W/2 Solar Satz		80427290		■																
3	Schelle 251 DN20-23		80427296		■																
4	Kabelverschraubung Ipon PG9 Set 5St		80427308		■																
5	Haube KS/KD 2 / RAL5015		63022952		■																
6	Thermometer Ifc-052 Krf 120Grad C		63011512		■																
7	Anlegetemperaturfühler QAD22		85103278		■																
KDG 1/20,1/70,25/60,32/80																	Gehäuse KDG 1/30 casing KDG 1/30				2A

Ersatzteilliste
Spare parts list

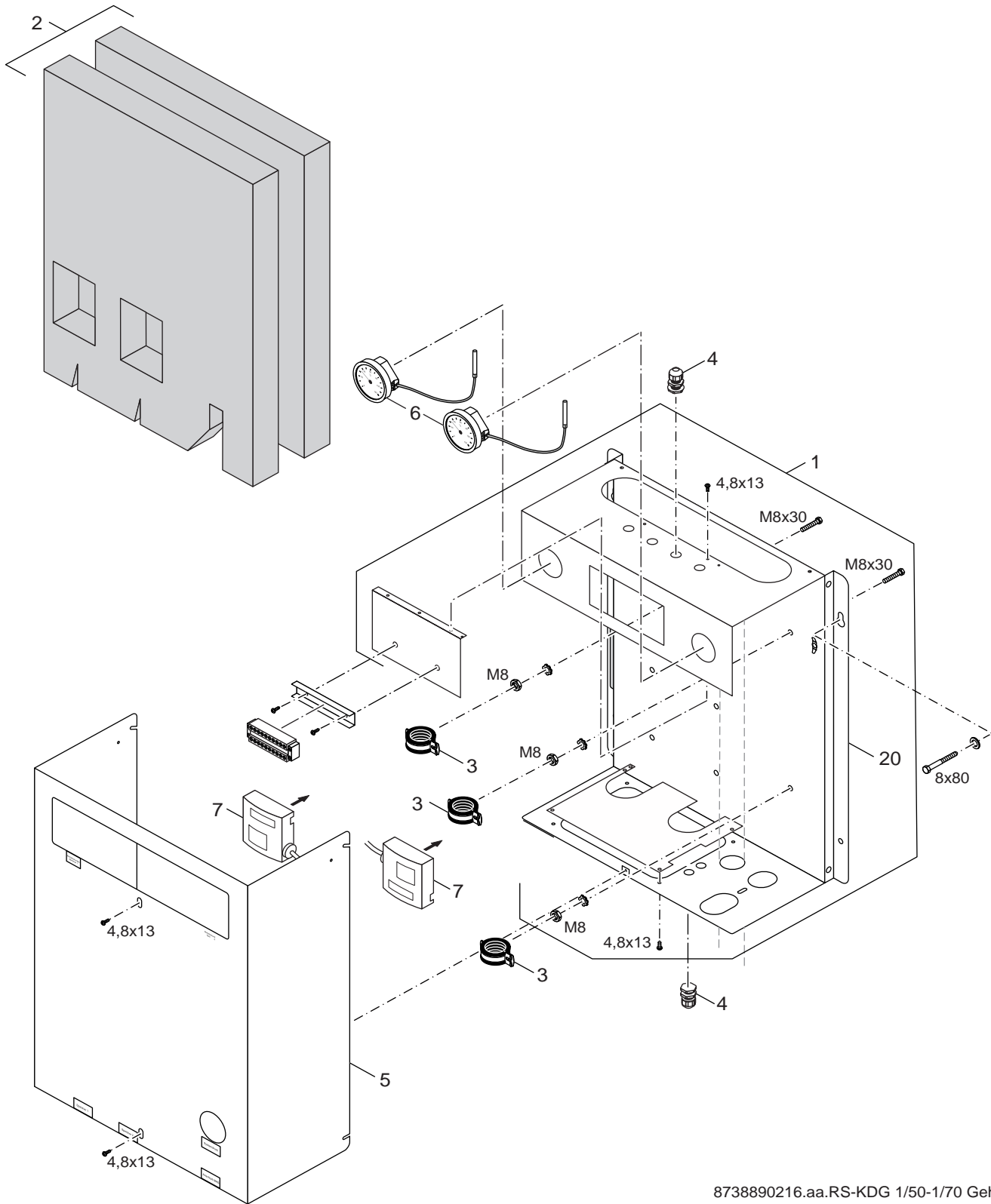


2
B

Pumpengruppe KDG 1/30
pump set KDG 1/30

KDG 1/20,1/70,25/60,32/80

Ersatzteilliste
Spare parts list



8738890216.aa.RS-KDG 1/50-1/70 Gehäuse

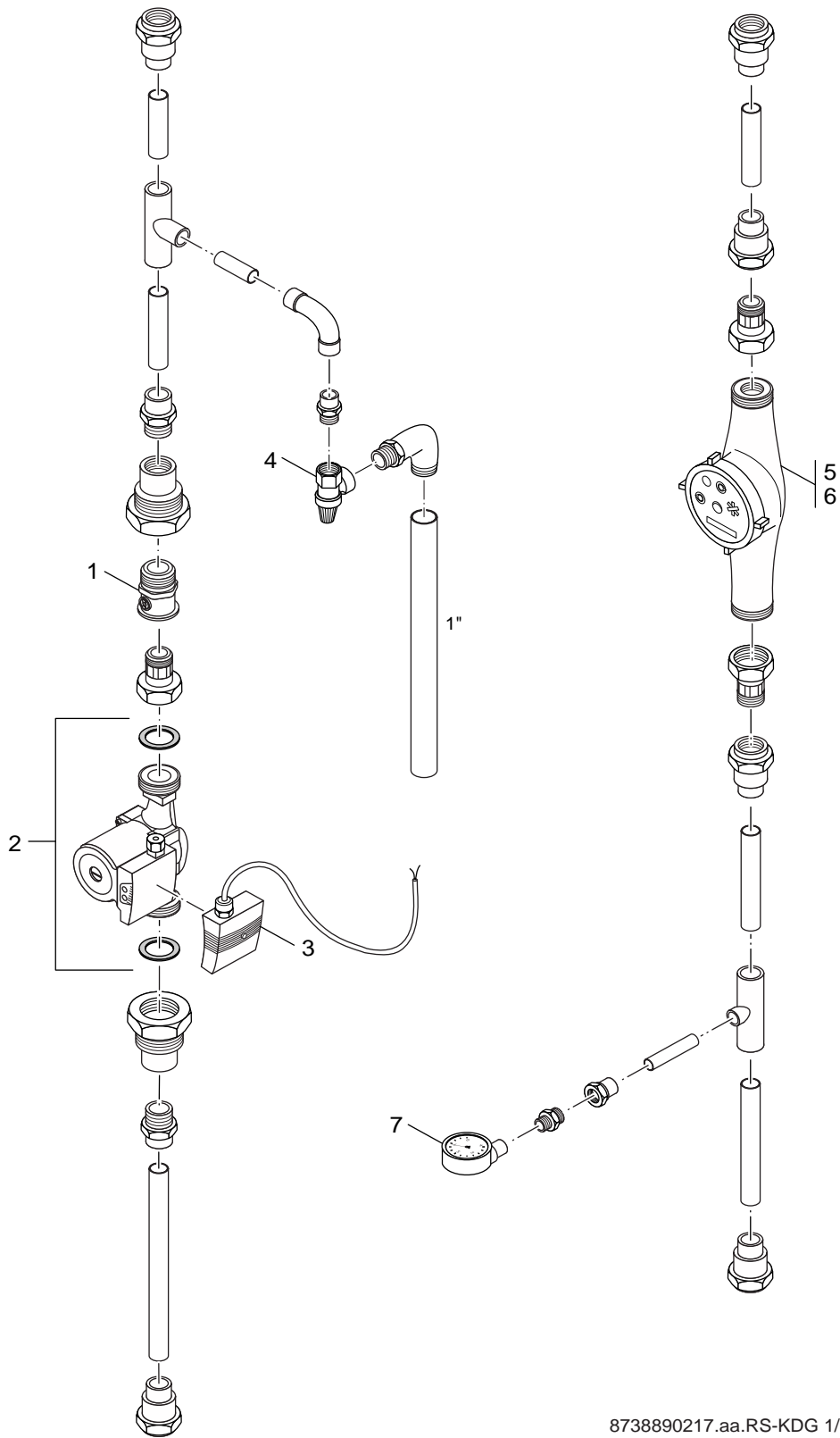
3
A

Gehäuse KDG 1/50-1/70
casing KDG 1/50-1/70

KDG 1/20,1/70,25/60,32/80

Pos	Bezeichnung description	S-Nr	Bestell-Nr. Ordering no.	Gasart gas type	KDG 1/20-1/70, 25/60																Bemerkungen Remarks	
1	Grundplatte KS/KD 2/ RAL7012		80427272		■																	
2	Wärmeschutz KS/KD W/2 Solar Satz		80427290		■																	
3	Klammer DN 25-28		63013529		■																	
4	Kabelverschraubung Ipon PG9 Set 5St		80427308		■																	
5	Haube KS/KD 2 / RAL5015		63022952		■																	
6	Thermometer Ifc-052 Krf 120Grad C		63011512		■																	
7	Anlegetemperaturfühler QAD22		85103278		■																	
KDG 1/20,1/70,25/60,32/80																	Gehäuse KDG 1/50-1/70 casing KDG 1/50-1/70				3A	

Ersatzteilliste
Spare parts list



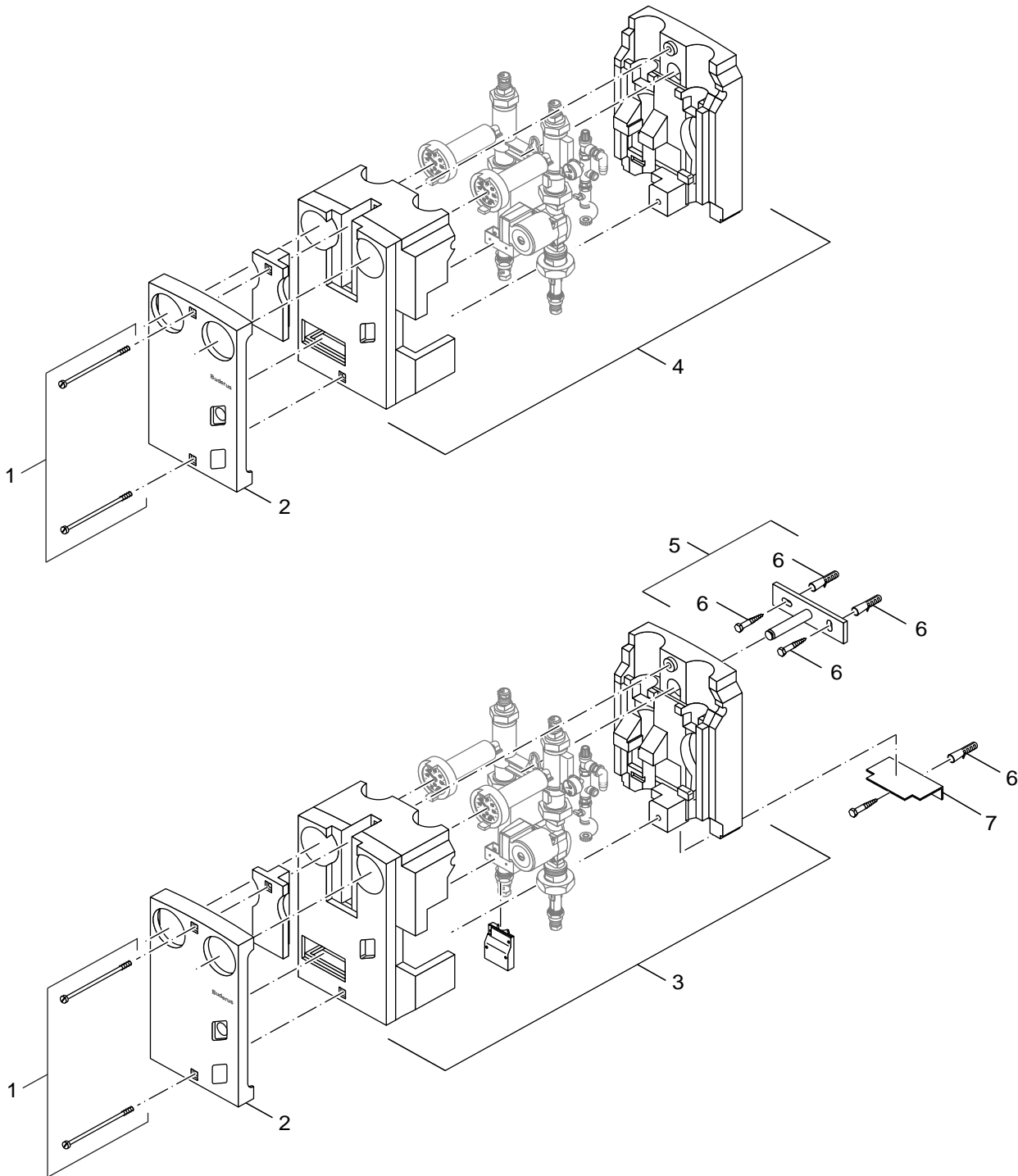
8738890217.aa.RS-KDG 1/50-1/70 Pumpengruppe

3
B
 Pumpengruppe KDG 1/50-1/70
 pump set KDG 1/50-1/70

KDG 1/20,1/70,25/60,32/80

Pos	Bezeichnung description	S-Nr	Bestell-Nr. Ordering no.	Gasart gas type	KDG 1/20-1/70, 25/60																Bemerkungen Remarks
1	Schwerkraftbremse SB031 PN6 R2		85103280		■																
2	Pumpe UPE 32-80/180		85103196		■																
3	Busmodul MB 80		85103208		■																
4	Sicherheitsventil 3/4", 2,5bar		85103250		■																
5	Volumenmessteil V40 3,5 m3/h DN25		85103242		■																
6	Volumenmessteil V40 6,0 m3/h DN32		85103244		■																
7	Manometer 4bar G1/4 D60		63024674		■																
	Verschraubung konisch IA3/4 Ms		63022101		■																
	Sicherheitsventil Rp3/4" 6 bar		83837180		■																
KDG 1/20,1/70,25/60,32/80																Pumpengruppe KDG 1/50-1/70 pump set KDG 1/50-1/70					3B

Ersatzteilliste
Spare parts list



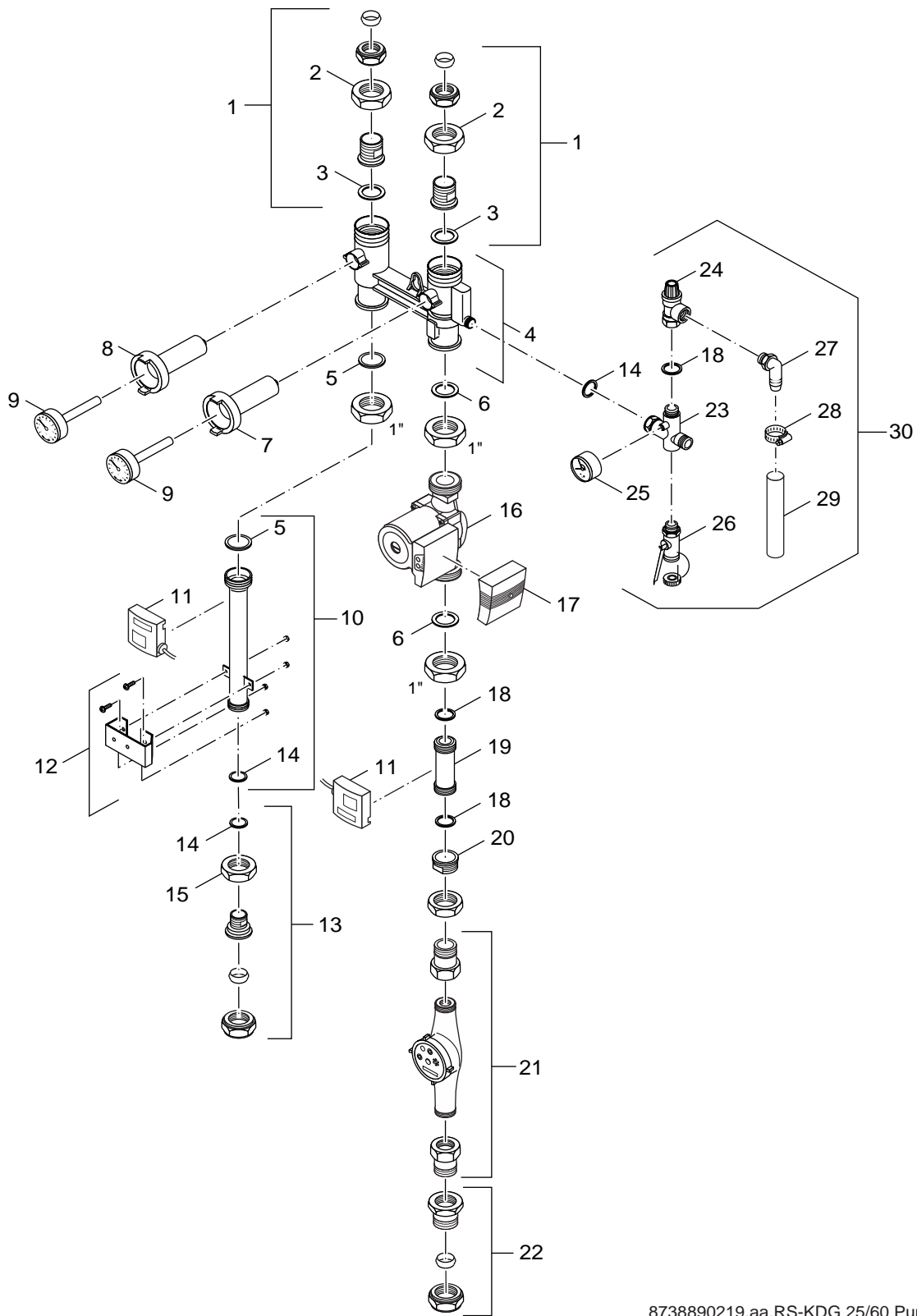
8738890218.aa.RS-KDG 25/60, 25/80, 32/80 Gehäuse

4
A
 Gehäuse KDG 25/60,25/80 und 32/80
 casing KDG 25/60,25/80 und 32/80

KDG 1/20,1/70,25/60,32/80

Pos	Bezeichnung description	S-Nr	Bestell-Nr. Ordering no.	Gasart gas type	KDG 1/20-1/70, 25/80																Bemerkungen Remarks
1	Verschlussschraube		5594700		■																
2	Blende HS32 blau		5594722		■																
3	Wärmeschutz KDG25-60/25-80		63021976		■																
4	Wärmeschutz KDG32-80		63021565		■																
5	Wandhalter KS0105-0150 oben		63007571		■																
6	Befestigungs-Set KS-Solar		63009128		■																
7	Abstandshalter KS0105-0220 unten		63007573		■																
7	Abstandshalter KDG32-80/KS0150 unten		63021785		■																
KDG 1/20,1/70,25/60,32/80																	Gehäuse KDG 25/60,25/80 und 32/80 casing KDG 25/60,25/80 und 32/80				4A

Ersatzteilliste
Spare parts list



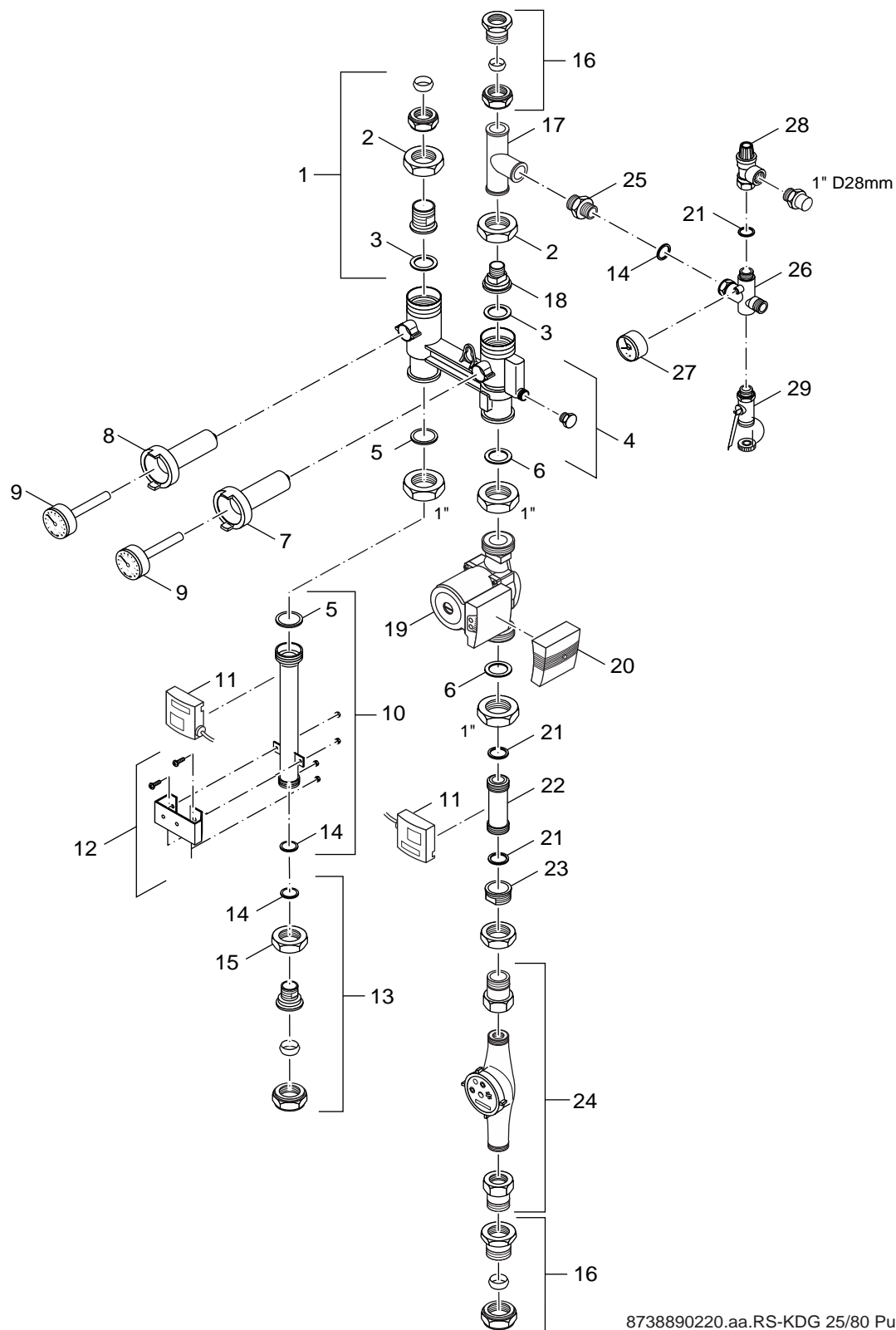
8738890219.aa.RS-KDG 25/60 Pumpengruppe

4
B

Pumpengruppe KDG 25/60
 pump set KDG 25/60

KDG 1/20,1/70,25/60,32/80

Ersatzteilliste
Spare parts list



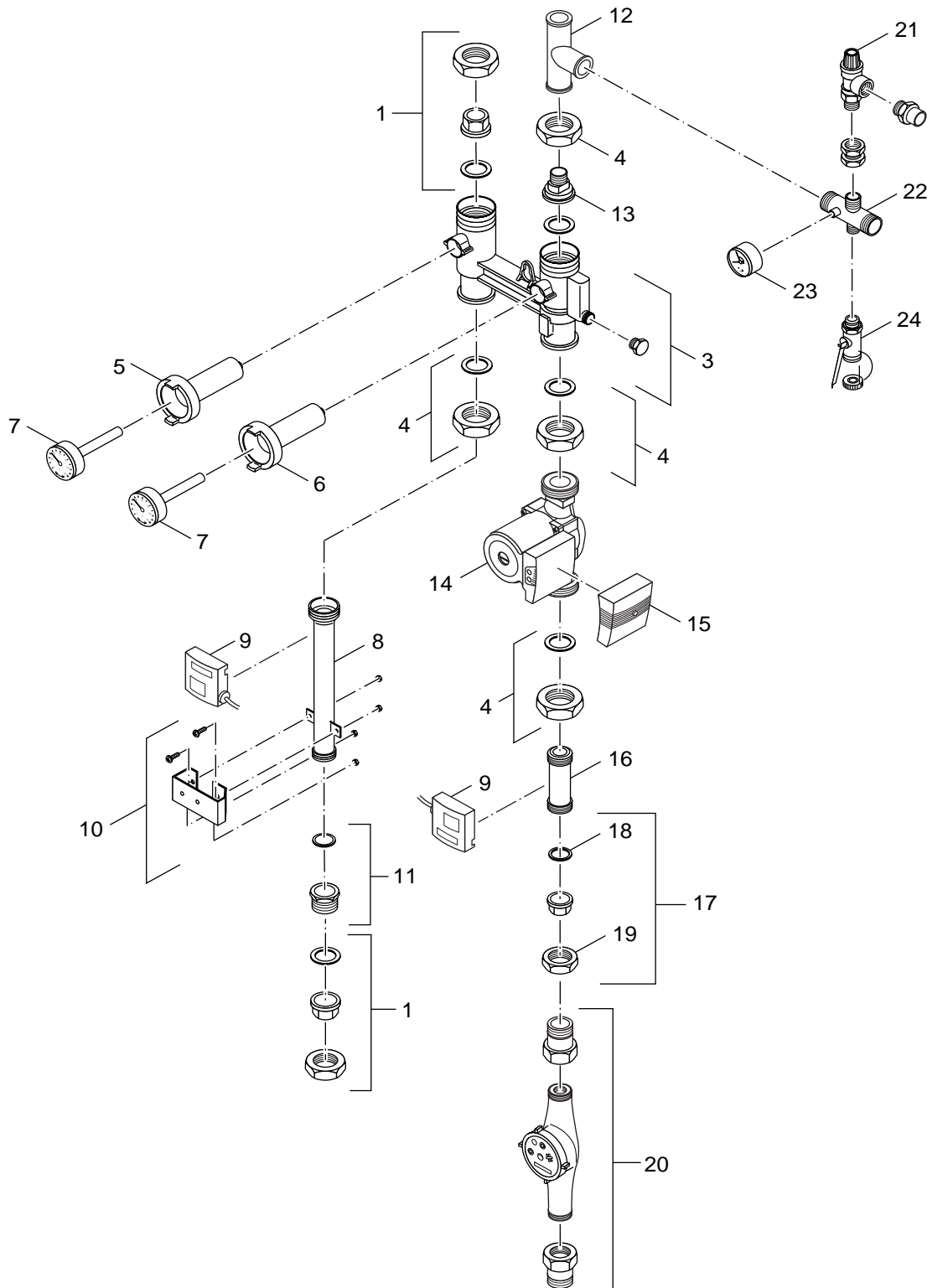
8738890220.aa.RS-KDG 25/80 Pumpengruppe

4
C

Pumpengruppe KDG 25/80
pump set KDG 25/80

KDG 1/20,1/70,25/60,32/80

Ersatzteilliste
Spare parts list



8738890221.aa.RS-KDG 32/80 Pumpengruppe

4
D Pumpengruppe KDG 32/80
pump set KDG 32/80

KDG 1/20,1/70,25/60,32/80

Übersetzungsliste
List of translations

Pos	Description
1A Element of construction	
1	Base plate KS/KD 1/
2	Holder for Control KR 0104
3	Thermal insulation KS W/1 Solar kit
4	Thermal insulation KS/KD 1/5-1/20
5	Clip 251 DN20-23
6	Clip DN 32-35
7	Nipple PG9
8	Hood KS/KD 1/ RAL5015 labelled
9	Bush SR1701 TPG
10	Thermometer Ifc-052 Krf 120Grad C
11	Contact temperature sensor QAD22
1B Element of construction	
1	Screw connection 3/4" water meter
2	Sealing ring DIN7603 24X30 CU
3	Union nut 1 1/2"
4	Pump UPE 25-60/180
5	Bus module MB 60
6	Gravity brake SBO21 PN6 R1"-R1 1/2"
7	Clamping ring screw connection ger
8	Distributor KS/KD 1/ MS
9	Union nut W15/16x1/14 22mm
10	Clamp ring 22mm S1281
11	Bush angle WES 19/R
12	Membrane safety valve MSM 1/2" incl.
13	Volume measuring element V40 1.5 m³/h
14	Clamping ring screw connection straight
15	Clamping ring screw connection straight
16	Cap 1/2" MS
17	Pan-head screw DIN7985 M5x10 (5x)
2A Element of construction	
1	Base plate KS/KD 2/
2	Thermal insulation KS/KD W/2 Solar kit
3	Clip 251 DN20-23
4	Nipple PG9
5	Hood KS/KD 2 / RAL5015
6	Thermometer Ifc-052 Krf 120Grad C
7	Contact temperature sensor QAD22
2B Element of construction	
1	Union nut 1 1/2"
2	Pump UPE 25-80/180
3	Bus module MB 80
4	Gravity brake SBO21 PN6 R1"-R1 1/2"
5	Clamping ring screw connection ger
6	Distributor KS/KD 1/ MS
7	Union nut W15/16x1/14 22mm
8	Clamp ring 22mm S1281
9	Pan-head screw DIN7985 M5x10 (5x)
10	Bush angle WES 19/R
11	Membrane safety valve MSM 1/2" incl.
12	Volume measuring element V40 2.5 m³/h
13	Screw connection 3/4" water meter
14	Clamping ring screw connection straight
15	Clamping ring screw connection straight
16	Cap 1/2" MS
3A Element of construction	
1	Base plate KS/KD 2/

Übersetzungsliste
List of translations

Pos	Description
2	Thermal insulation KS/KD W/2 Solar kit
3	Clip DN 25-28
4	Nipple PG9
5	Hood KS/KD 2 / RAL5015
6	Thermometer Ifc-052 Krf 120Grad C
7	Contact temperature sensor QAD22
3B Element of construction	
1	Gravity brake SB031 PN6 R2
2	Pump UPE 32-80/180
3	Bus module MB 80
4	Safety valve 3/4", 2,5 bar for KDG 1/50
5	Volume measuring element V40 3.5 m³/h
6	Volume measuring element V40 6.0 m³/h
7	Pressure gauge 4bar G1/4 D60
	Screw connection cone-shaped IA3/4 MS
	Safety valve Rp3/4" 6 bar
4A Element of construction	
1	Sealing screw
2	Cover HS32 blue
3	Thermal insulation KDG25-60/25-80
4	Thermal insulation KDG32-80
5	Wall bracket KS0105-0150 top
6	Mounting kit KS-solar
7	Spacer KS0105-0220 bottom
4B Element of construction	
1	Reducer KS0120/0220 D 28 top
2	Union nut DIN2950 3/4" G11/4
3	seal set D27x38x2mm (Set 5 Pice)
4	Ball valve DN20 VL/RL
5	Seal Set D32x44x2mm AFM34 (5 pc)
6	Gasket D 32x44x2 EPDM
7	Handle blue for Ball valve
8	Handle red for Ball valve
9	Thermometer D63 TI100xD9-120°C C
10	Flow pipe KS/KDG
11	Contact temperature sensor QAD22
12	Holder f Terminal strip KDG 25-60/80
13	Reducer KS0120/0220 D 28 SF bottom
14	Gasket D21x30x2 AFM34
15	Union nut DIN2950 3/4" G11/4
16	Pump UPE 25-60/180
17	Bus module MB 60
18	Sealing D24x17x2 AFM34 (10pc)
19	Return pipe KDG 25-60/25-80
20	Part insert G1 FI x 3/4 Ig
21	Volume measuring element V40 1.5 m³/h
22	Screw connection ger IgxKlemm3/4x28
23	Distribution safety valve KS
24	Membrane safety valve MS 1/2, 3 bar
25	Pressure gauge D63 0 -10 bar
26	Drain valve 1/2"
27	Bush angle WES 19/R
28	Hose clip 13 -32mm (5x)
29	Hose DN 20x3x500mm PVC transparent
30	Safety equipment solar station
4C Element of construction	
1	Reducer KS0120/0220 D 28 top

Übersetzungsliste
List of translations

Pos	Description
2	Union nut DIN2950 3/4" G11/4
3	seal set D27x38x2mm (Set 5 Pice)
4	Ball valve DN20 VL/RL
5	Seal Set D32x44x2mm AFM34 (5 pc)
6	Gasket D 32x44x2 EPDM
7	Handle blue for Ball valve
8	Handle red for Ball valve
9	Thermometer D63 TI100xD9-120°C C
10	Flow pipe KS/KDG
11	Contact temperature sensor QAD22
12	Holder f Terminal strip KDG 25-60/80
13	Reducer KS0120/0220 D 28 SF bottom
14	Gasket D21x30x2 AFM34
15	Union nut DIN2950 3/4" G11/4
16	Screw connection ger AG x clamp 3/4"x28
17	Tee 3/4 KTL coated
18	Part insert G1 1/4 FI x 3/4 Ag
19	Pump UPE 25-80/180
20	Bus module MB 80
21	Sealing D24x17x2 AFM34 (10pc)
22	Return pipe KDG 25-60/25-80
23	Part insert G1 FI x 3/4 Ig
24	Volume measuring element V40 2.5 m³/h
25	Red nipple 3/4 x 1 KTL coated
26	Distributor safety equipment DN20
27	Pressure gauge D63 0 -10 bar
28	Membrane safety valve 3/4 3 bar
29	Drain valve 1/2"
	Screw connection cone-shaped IA3/4 MS
	Safety valve Rp3/4" 6 bar
4D	Element of construction
1	Union nut with part insert DN32
3	Ball valve DN32 VL/RL Solar
4	Union nut DIN2950-374-1 1/4-G2
5	Handle red for Ball valve
6	Handle blue for Ball valve
7	Thermometer D63 TI100xD9-120°C C
8	Flow pipe KDG32-80/KS0150
9	Contact temperature sensor QAD22
10	Holder f Terminal strip KDG 32-80
11	Part insert G2 x 1 1/4 Ag flat roof
12	Tee 1 1/4 KTL coated
13	Gravity brake SVA DN32
14	Pump UPE 32-80/180
15	Bus module MB 80
16	Return pipe KDG 32-80
17	Union nut with part insert DN25
18	Seal Set D32x44x2mm AFM34 (5 pc)
19	Union nut DIN2950 374 1 G1 1/2
20	Volume measuring element V40 3.5 m³/h
21	Membrane safety valve 1 3 bar
22	Distributor safety equipment DN25
23	Pressure gauge D63 0 -10 bar
24	Ball valve 3/4 FE Solar
	Gasket kit Flat gasket V2
	Screw connection cone-shaped IA1Ms
	Safety valve Rp 1", 6 bar

Bosch Thermotechnik GmbH
Sophienstraße 30-32
D-35576 Wetzlar
www.buderus.de

Buderus