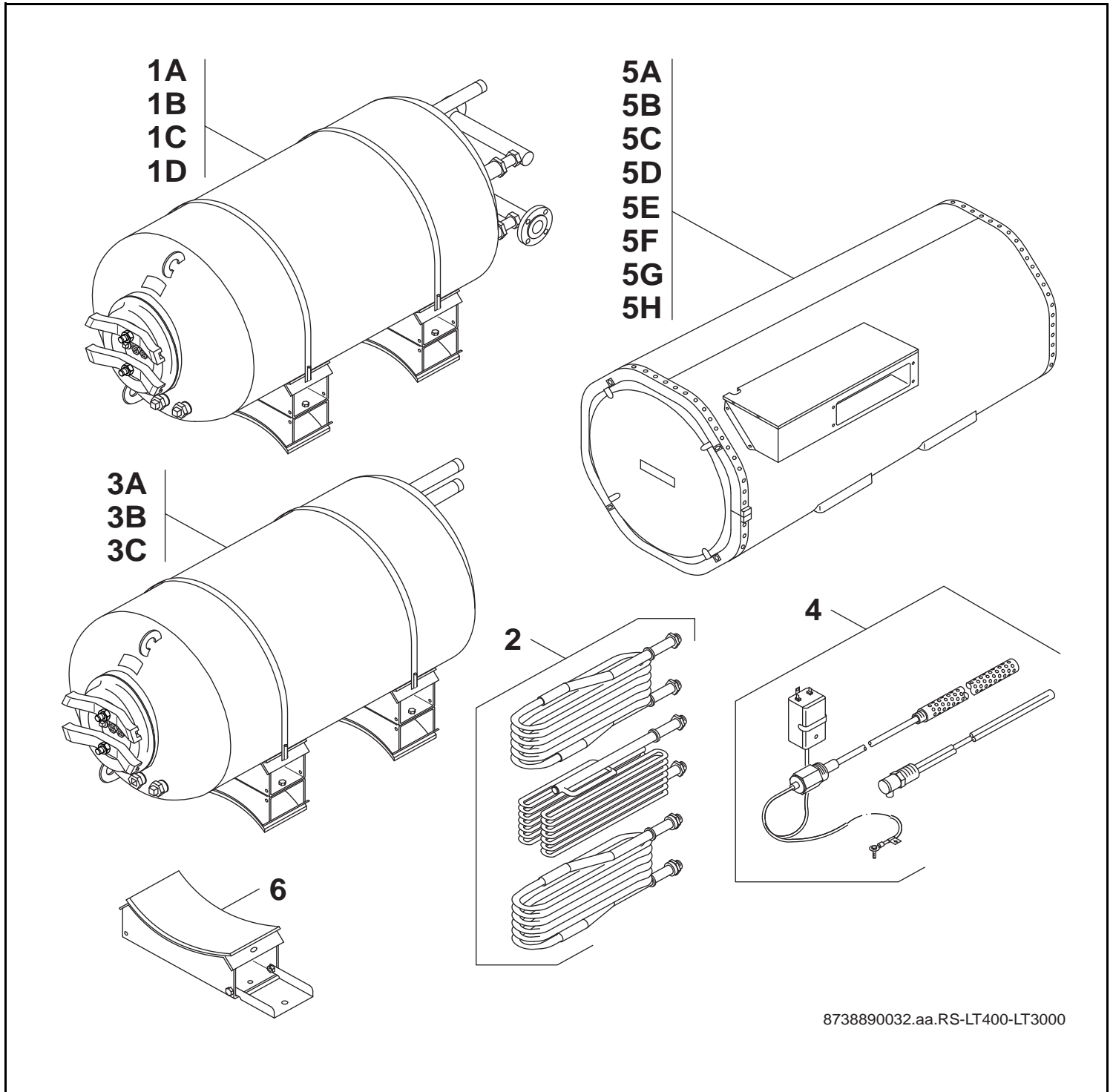


LT/LF400/1-3000/1



8738890032.aa.RS-LT400-LT3000

Buderus

Wichtige Hinweise

- Ersatzteile dürfen nur von einem zugelassenen Installateur eingebaut werden!
- Im Anhang finden Sie:
 - die Übersetzungen aller verwendeten Teilebezeichnungen
 - eine Übersicht der Gerätetypen und Länder, für die diese Ersatzteilliste gilt.

Important notes

- The spare parts may only be installed by an approved installer!
- In the appendix you will find:
 - a list of translations of the names of all parts used
 - a list of the models and countries to which this spare parts list applies.

Indications importantes

- L'installation des pièces de rechange doit être effectuée par un professionnel qualifié!
- Veuillez trouver en annexe:
 - les traductions de toutes les désignations des pièces utilisées
 - une vue globale des types de chaudières et des pays pour lesquels la présente liste des pièces de rechange est valable.

Informações importantes

- Peças de substituição só podem ser montadas por um técnico credenciado!
- Em anexo encontra:
 - as traduções das designações de todas as peças utilizadas.
 - lista dos aparelhos e países para os quais esta lista de peças de substituição é válida.

Avvertenze importanti

- Le parti di ricambio possono essere montate esclusivamente da personale qualificato ed in possesso dei requisiti tecnico-professionali!
- In appendice sono reperibili:
 - traduzione di ogni descrizione relativa alle varie parti di ricambio
 - elenco di sigle e codici, corrispondente ai vari paesi di destinazione.

Indicaciones importantes

- Los repuestos solamente deben ser montados por los servicios técnicos oficiales de la marca!
- En el anexo podrá encontrar:
 - la traducción de todas las denominaciones de piezas empleadas
 - una relación de los tipos de aparato y países en los que se aplica esta lista de repuestos.

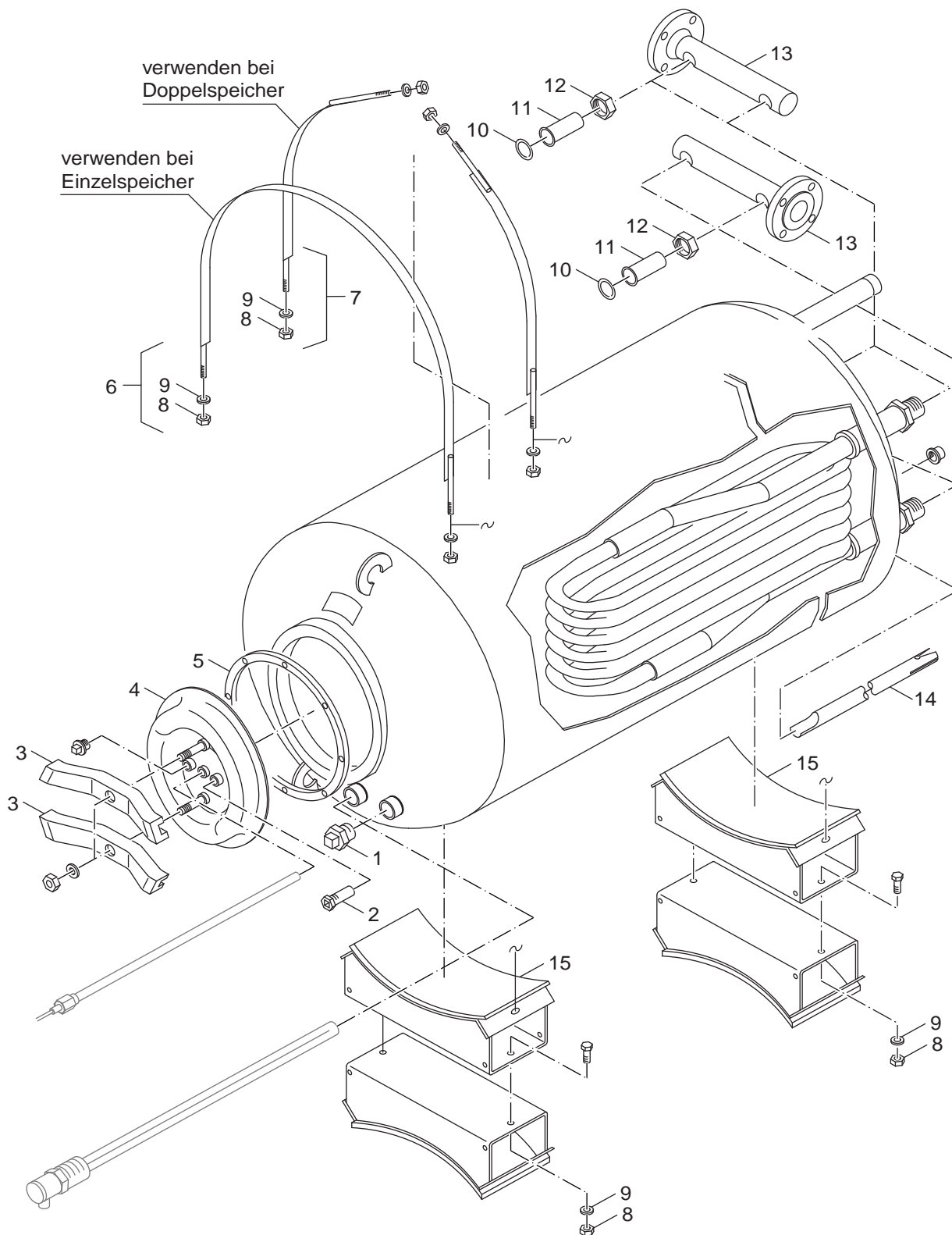
Belangrijke aanwijzing

- Onderdelen mogen alleen door een erkend installateur worden vervangen!
- In de bijlage vindt u:
 - de vertalingen van de gebruikte onderdelentekeningen
 - een overzicht van toesteltypen en de landen waarvoor deze onderdelenlijst bedoeld is.

Önemli Bilgiler

- Yedek parçalar sadece yetkili tesisatçılar tarafından monte edilebilir!
- Aşağıdaki bilgileri ekli olarak bulabilirsiniz:
 - Tüm kullanılan parça tanımlarının tercümelemleri
 - Bu yedek parça listesinin geçerli olduğu tüm cihaz çeşitleri ve ülkelerin özeti.

Ersatzteilliste
Spare parts list



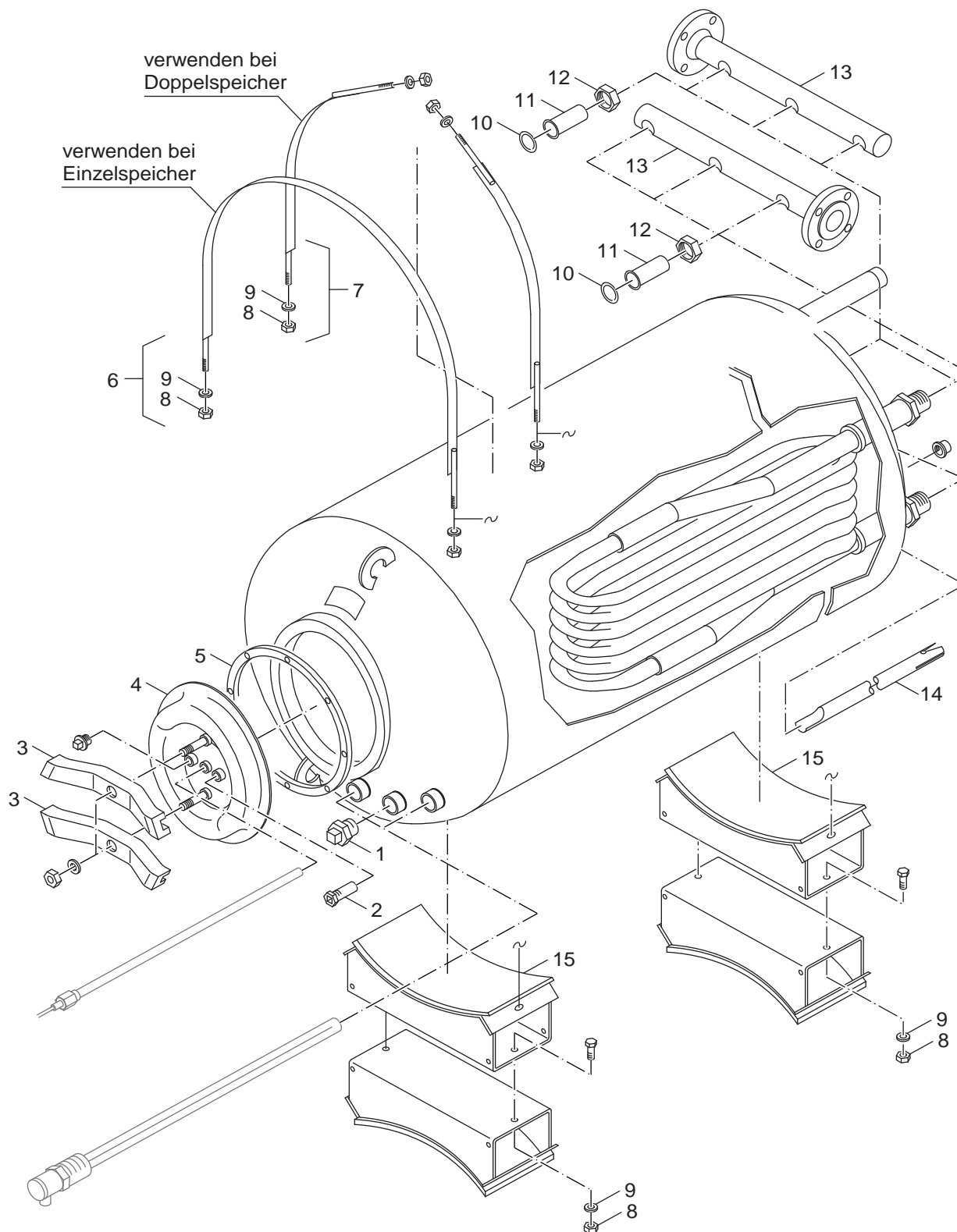
8738890050.aa.RS-Speicher LTA/LT_N/H/D400/1-950/1

1
A

Speicher LTA/LT_N/H/D400/1-950/1
Cylinder LTA/LT_N/H/D400/1-950/1

LT/LF400/1-3000/1

Ersatzteilliste
Spare parts list

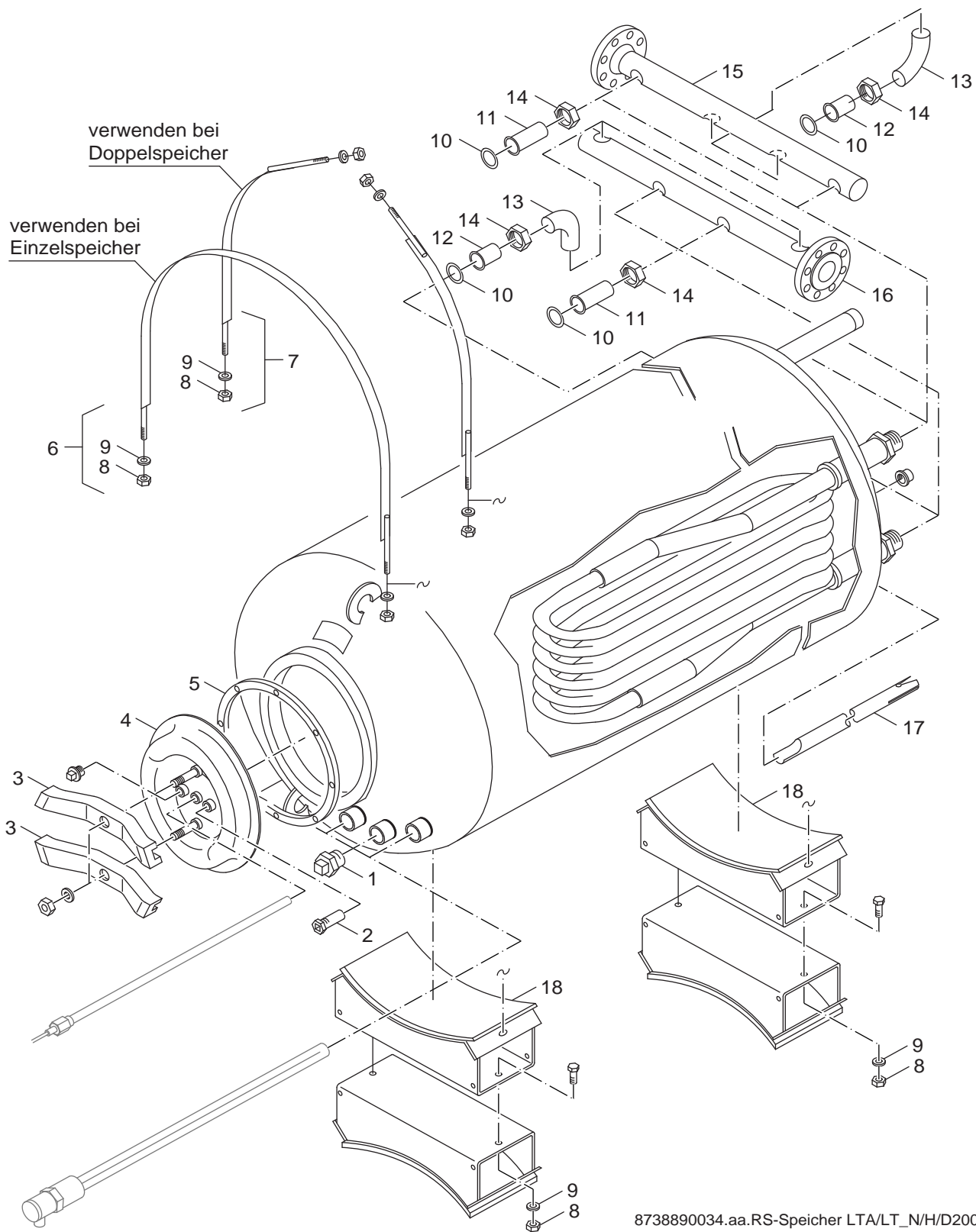


8738890033.aa.RS-Speicher LTA/LT_N/H/D1500/1

1
B
Speicher LTA/LT_N/H/D1500/1
Cylinder LTA/LT_N/H/D1500/1

LT/LF400/1-3000/1

Ersatzteilliste
Spare parts list



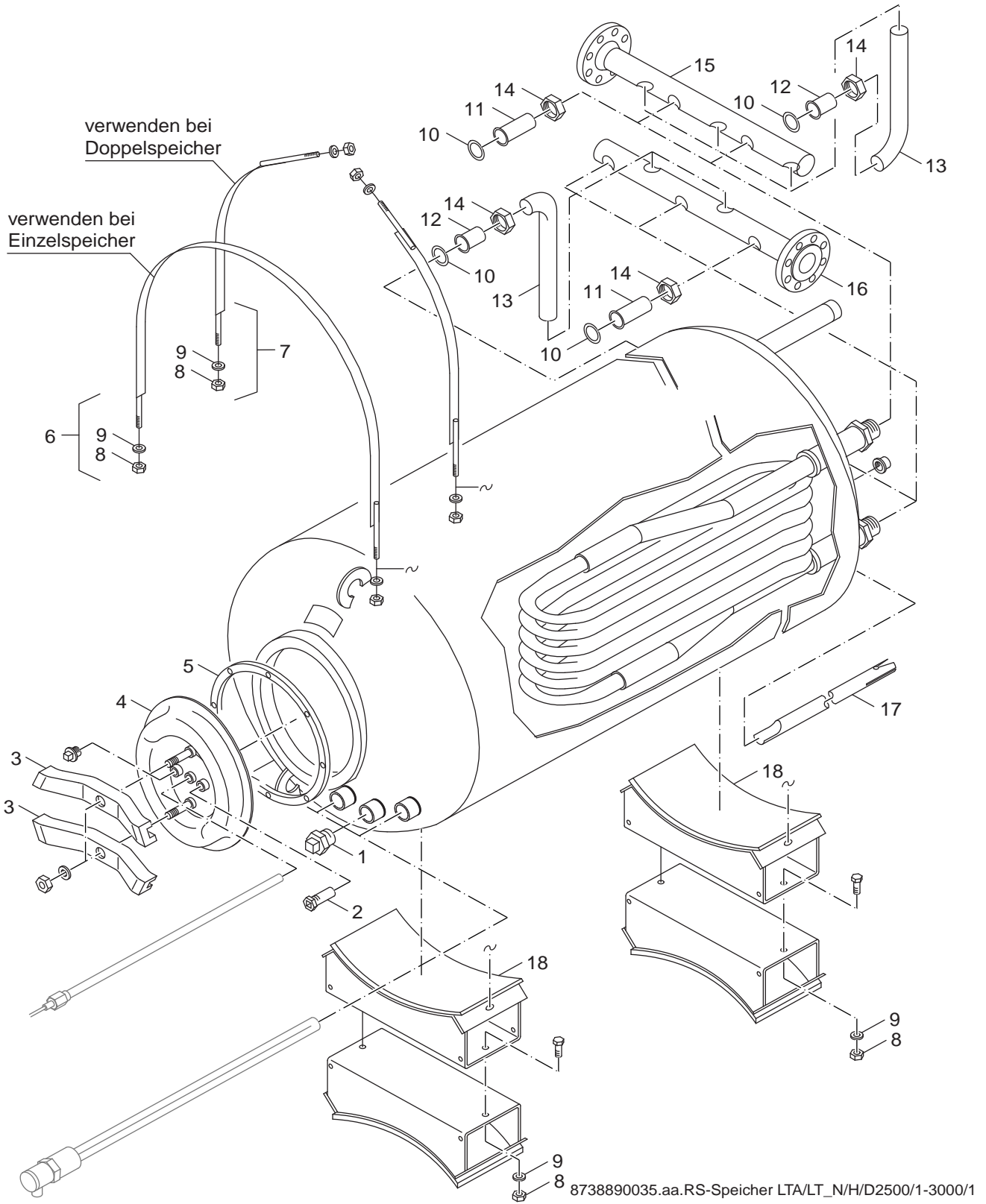
8738890034.aa.RS-Speicher LTA/LT_N/H/D2000/1

1
C

Speicher LTA/LT_N/H/D2000/1
Cylinder LTA/LT_N/H/D2000/1

LT/LF400/1-3000/1

Ersatzteilliste
Spare parts list



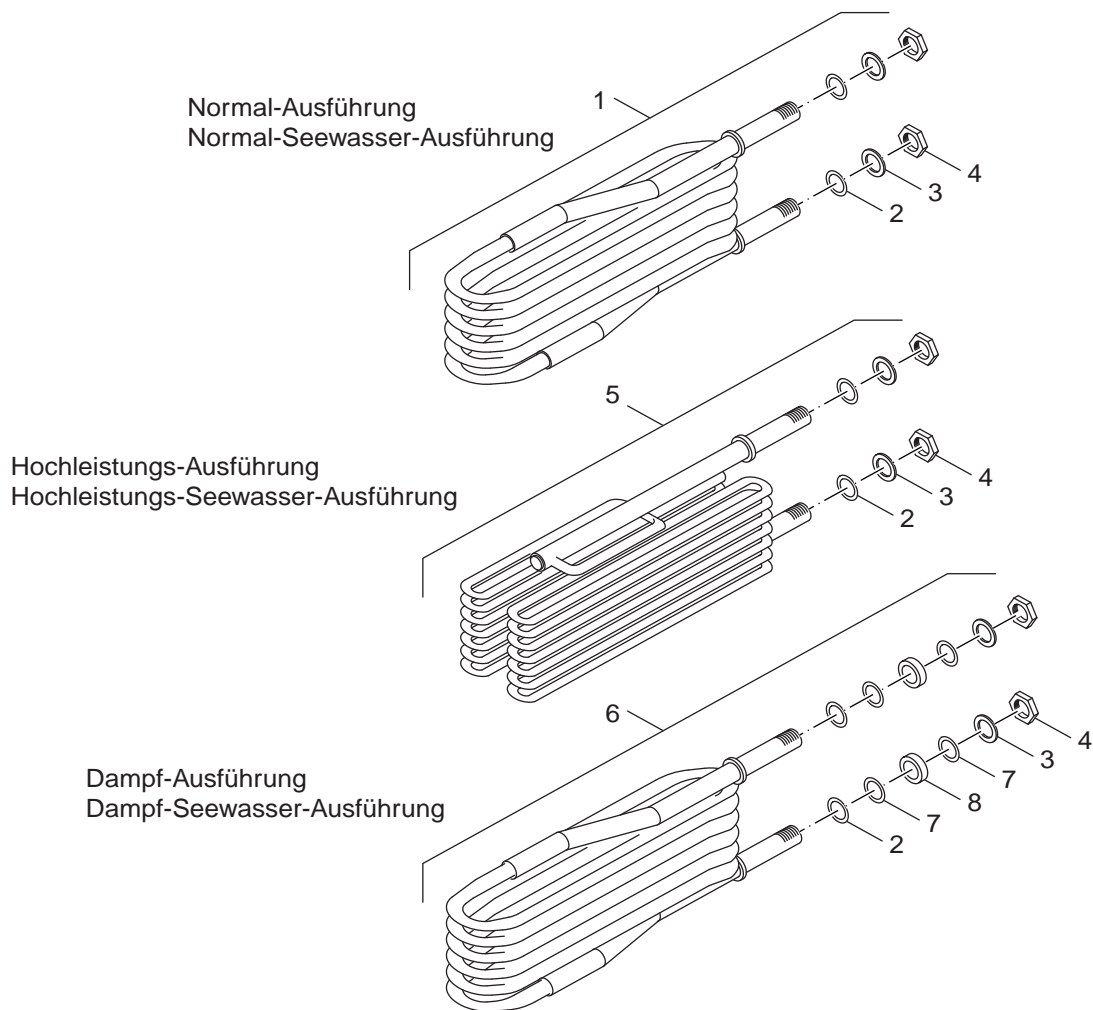
1
D

Speicher LTA/LT_N/H/D2500/1-3000/1
Cylinder LTA/LT_N/H/D2500/1-3000/1

LT/LF400/1-3000/1

Pos	Bezeichnung description	Bestell-Nr. Ordering no.	LT/LF 400/1-3000/1																		Bemerkungen Remarks
1	Verschlussstopfen Heizschl R1 1/2 thergl	3869823	■																		
2	Tauchhülse R3/4"x100	5446065	■																		
3	Mannlochbügel 300x400	3869150	■																		
4	Mannlochdeckel 400x300 mm	8 718 570 897 0	■																		
5	Dichtung f Mannloch 300x400 mont	7 747 029 370	■																		
6	Spannband LT/LF 2000/3000 Einzelsp kpl	5222810	■																		
7	Spannband LT/LF 2000/3000 Doppelsp kpl	5222811	■																		
8	6kt-Mutter ISO4032 M12 8 A3K	5090068	■																		
9	Scheibe DIN125-A13-A3K	5883276	■																		
10	Dichtung 32x44x2	3870872	■																		
11	Sammlerstützen 100 lg f TBS-L 350-4000 L	3870190	■																		
12	Sammlerstützen 60 lg f TBS-L 2500-4000 L	3870185	■																		
13	Sammlerrohr f TBS-L 2500-4000 L	3870180	■																		
14	Überwurfmutter G1 1/2	5222988	■																		
15	Vorlauf-Sammler 16 bar TBS-L 2500-3500 L	3870170	■																		
16	Rüchl-Sammler 16 bar TBS-L 2500-3500 L	3870175	■																		
16	Rücklauf-Sammler DN80 25 bar	3870360	■																		
17	Verteilerrohr LT2500+3000/1A	5665132	■																		
18	Sattel geklebt LT2000/1-3000/1A	5665236	■																		
LT/LF400/1-3000/1																Speicher LTA/LT_ N/H/D2500/1-3000/1 Cylinder LTA/LT_ N/H/D2500/1-3000/1					1D

Ersatzteilliste
Spare parts list



Speicherinhalt in Liter	Heizschlangenanzahl x Heizfläche in qm		
	LTA/LT_N	LTA/LT_H	LTA/LT_D
400	2 x 1,30qm	2 x 2,10qm	2 x 1,30qm
500	2 x 1,30qm	2 x 2,10qm	2 x 1,30qm
750	2 x 1,80qm	2 x 2,80qm	2 x 1,30qm
950	2 x 1,80qm	2 x 2,80qm	2 x 1,30qm
1500	3 x 2,30qm	3 x 3,25qm	3 x 1,30qm
2000	4 x 2,10qm	4 x 2,80qm	4 x 1,30qm
2500	5 x 2,30qm	5 x 3,25qm	5 x 1,30qm
3000	5 x 2,30qm	5 x 3,25qm	5 x 1,30qm

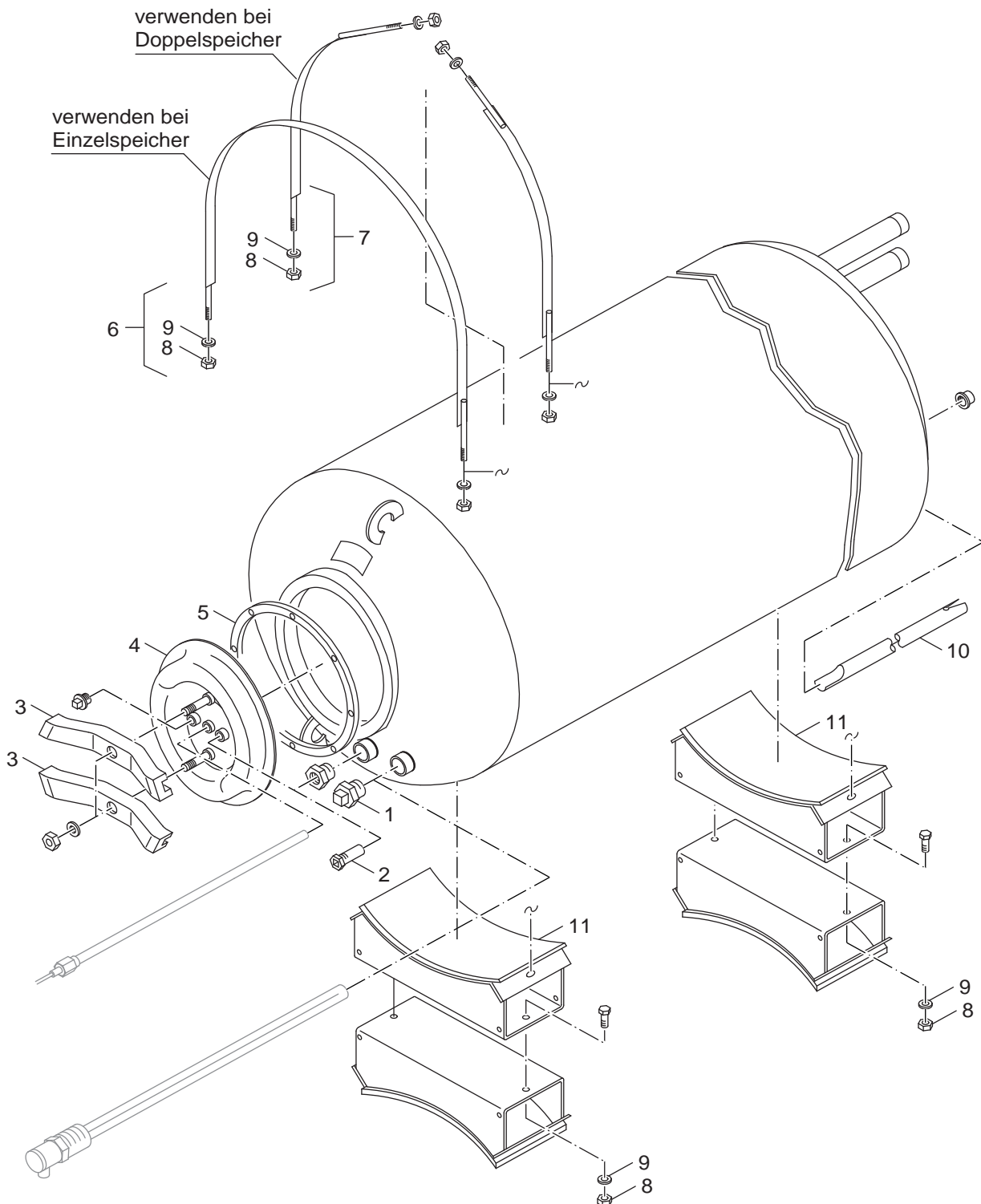
8738890036.aa.RS-Heizschlangen N/H/D

Heizschlangen N/H/D
Heating coil N/H/D

LT/LF400/1-3000/1

2

Ersatzteilliste
Spare parts list



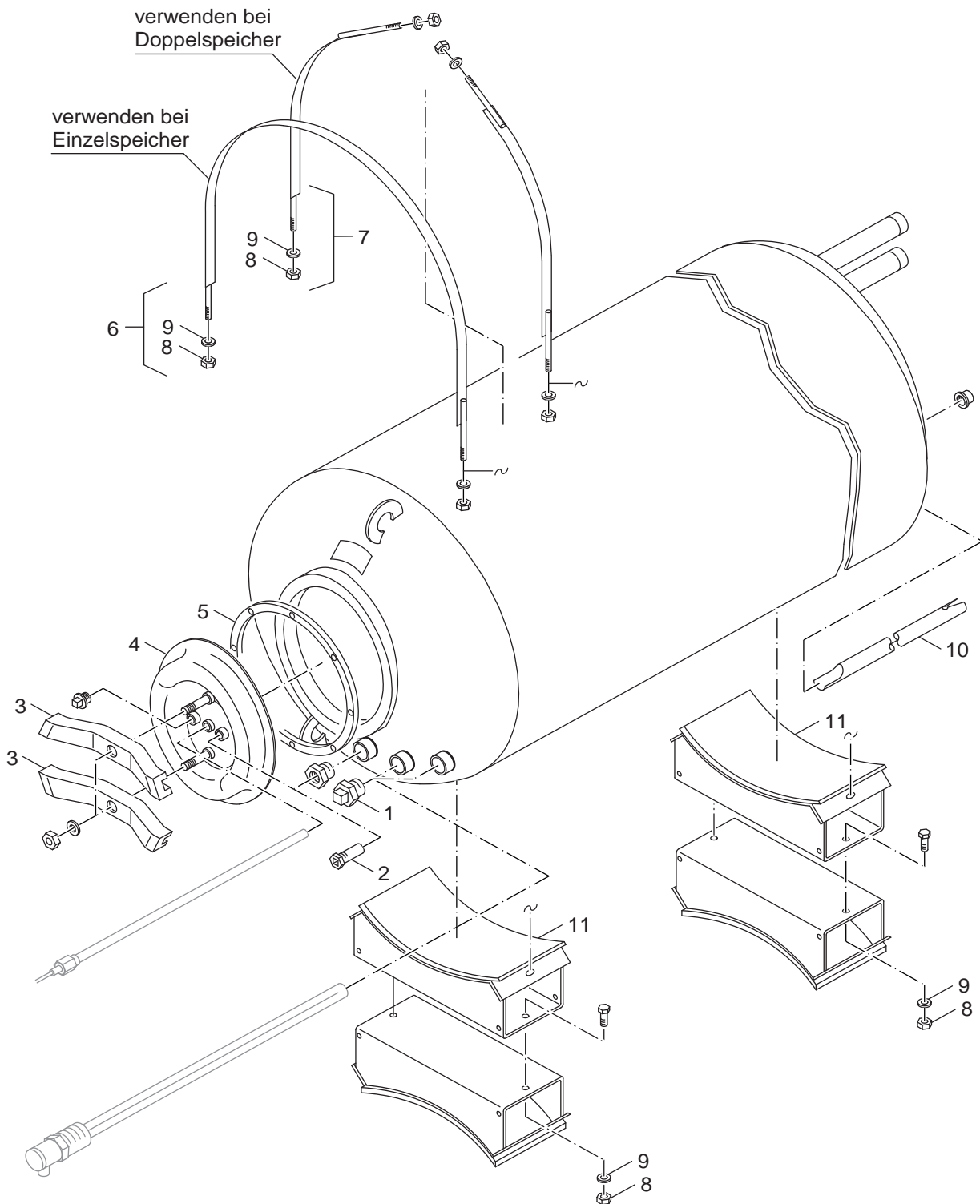
8738890037.aa.RS-Speicher LF400/1-950/1

3
A

Speicher LF400/1-950/1
Cylinder LF400/1-950/1

LT/LF400/1-3000/1

Ersatzteilliste
Spare parts list



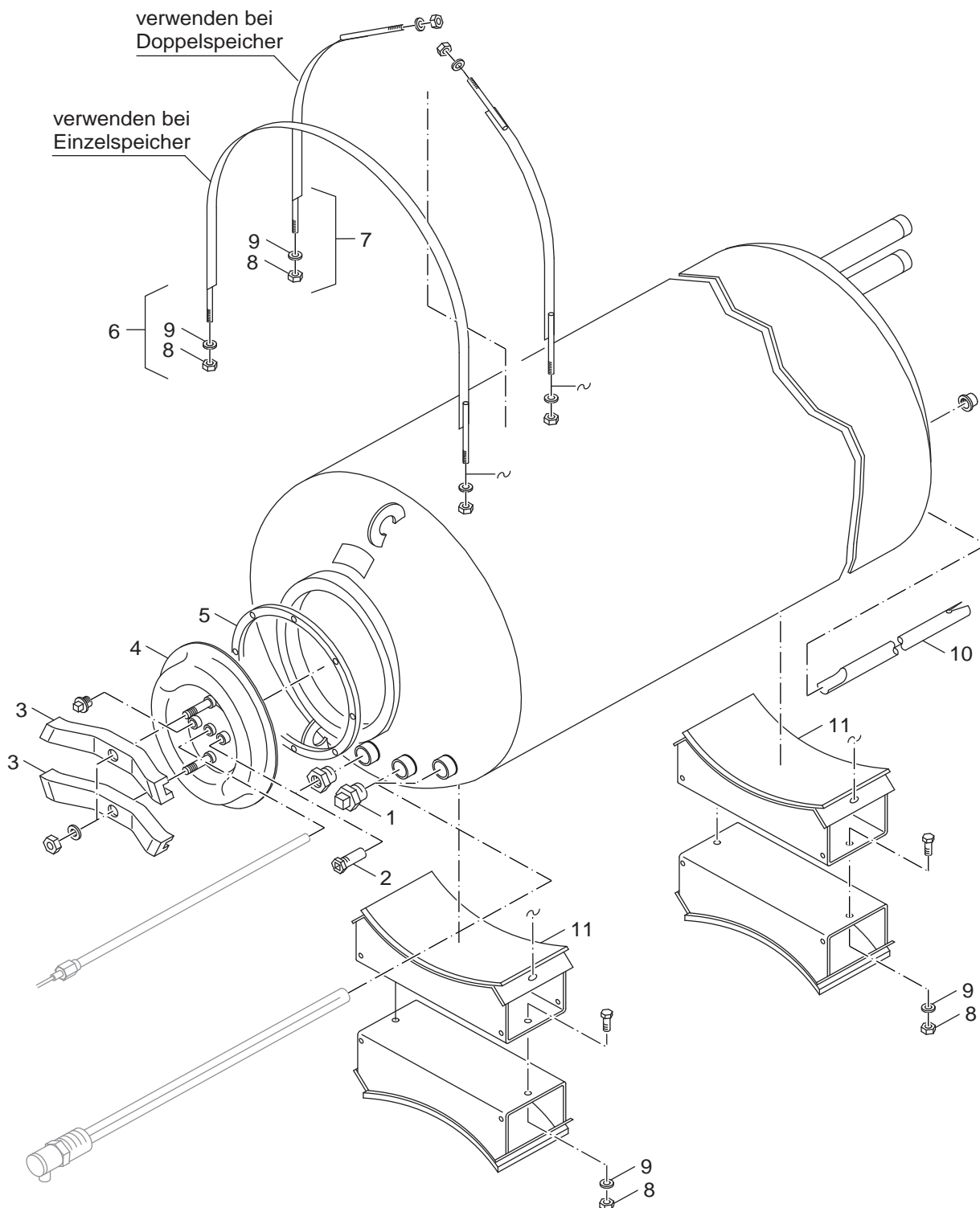
8738890038.aa.RS-Speicher LF1500/1

3
B

Speicher LF1500/1
Cylinder LF1500/1

LT/LF400/1-3000/1

Ersatzteilliste
Spare parts list



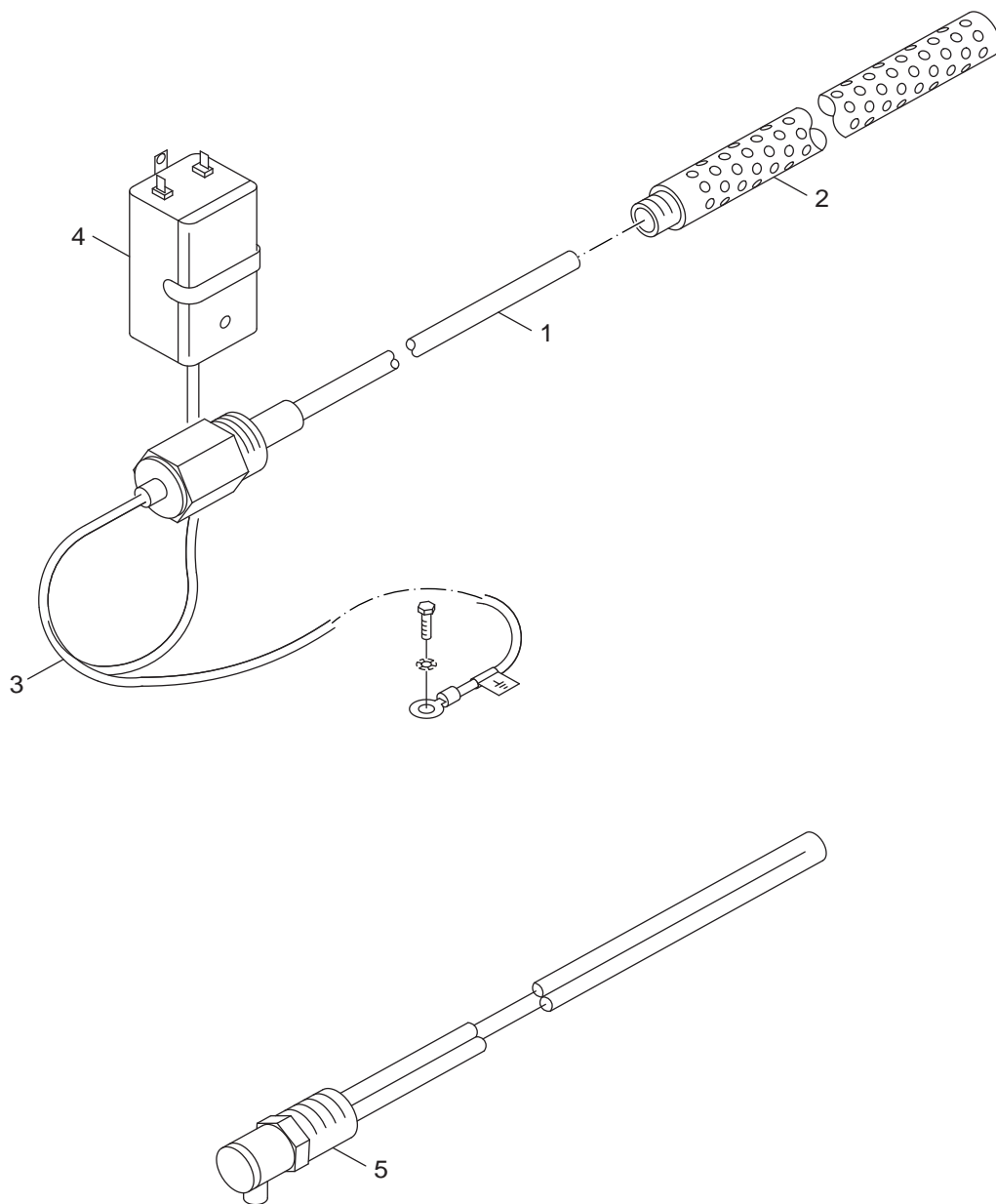
8738890039.aa.RS-Speicher LF2000/1-3000/1

3
C

Speicher LF2000/1-3000/1
Cylinder LF2000/1-3000/1

LT/LF400/1-3000/1

Ersatzteilliste
Spare parts list



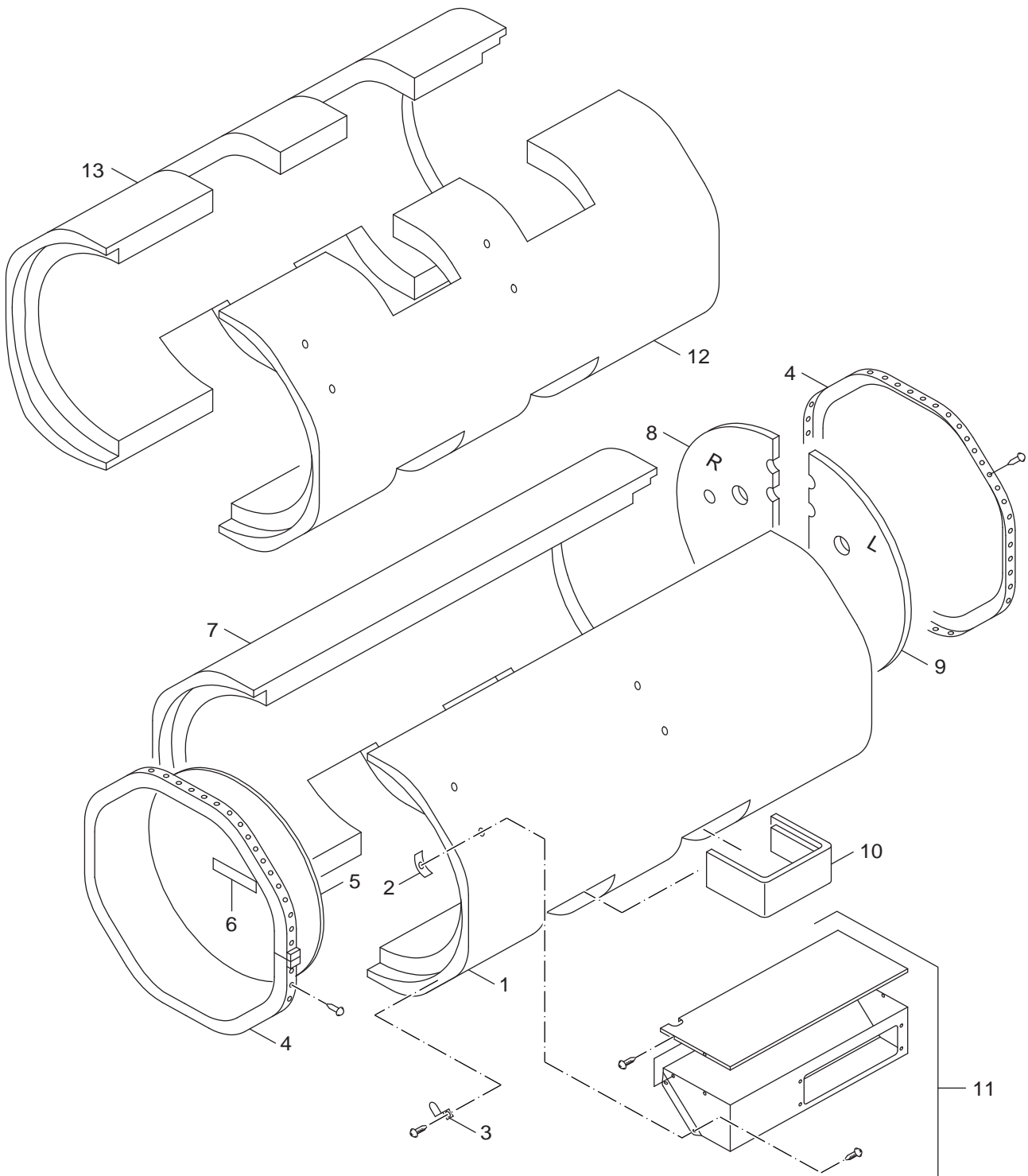
8738890040.aa.RS-Anode/E-Heizung

Anode/E-Heizung
Anode/E-heating insert

LT/LF400/1-3000/1

4

Ersatzteilliste
Spare parts list



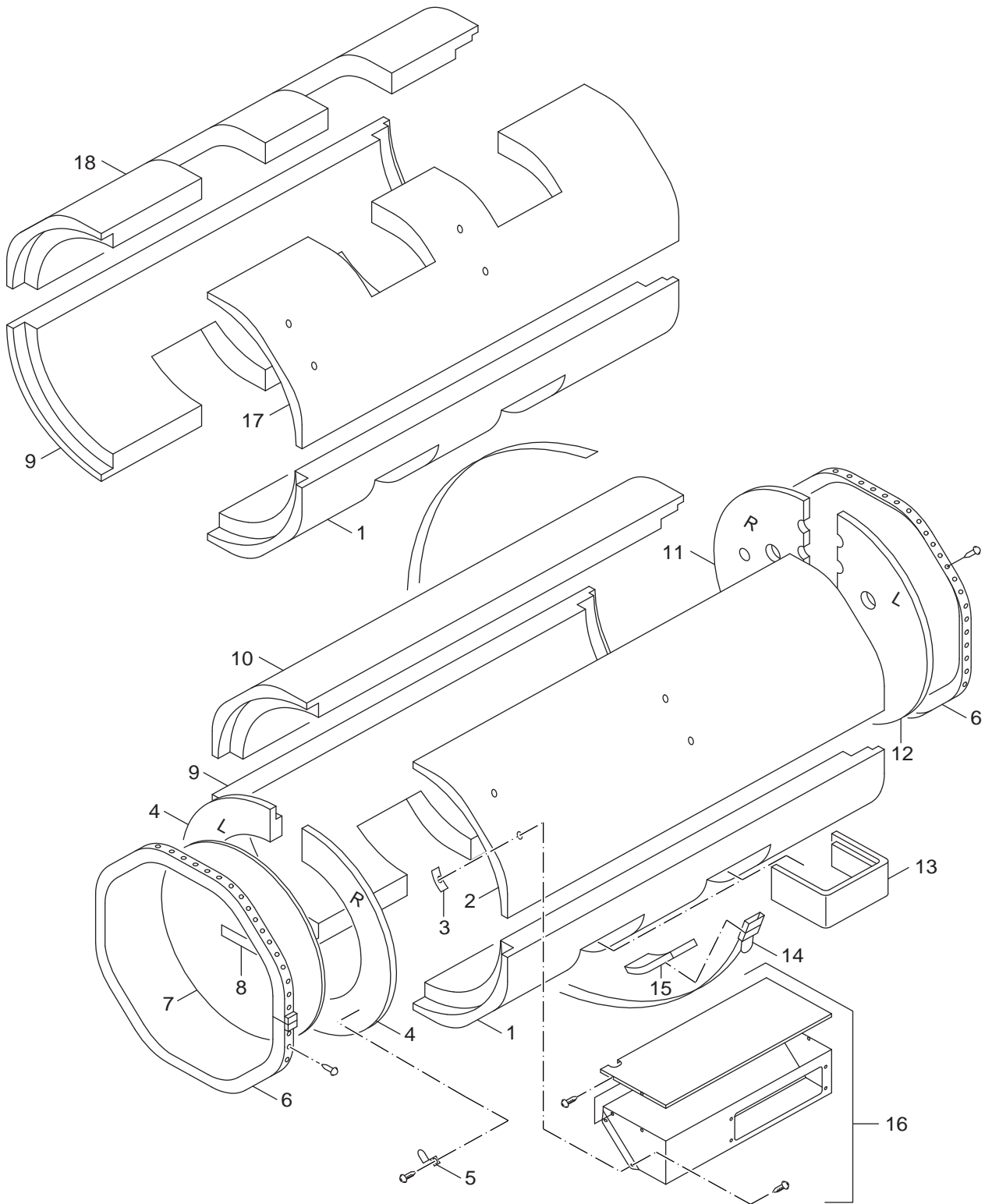
8738890041.aa.RS-Verkleidung LTA/LT_N/H/D/LF400/1

5
A

Verkleidung LTA/LT_N/H/D/LF400/1
Housing LTA/LT_N/H/D/LF400/1

LT/LF400/1-3000/1

Ersatzteilliste
Spare parts list



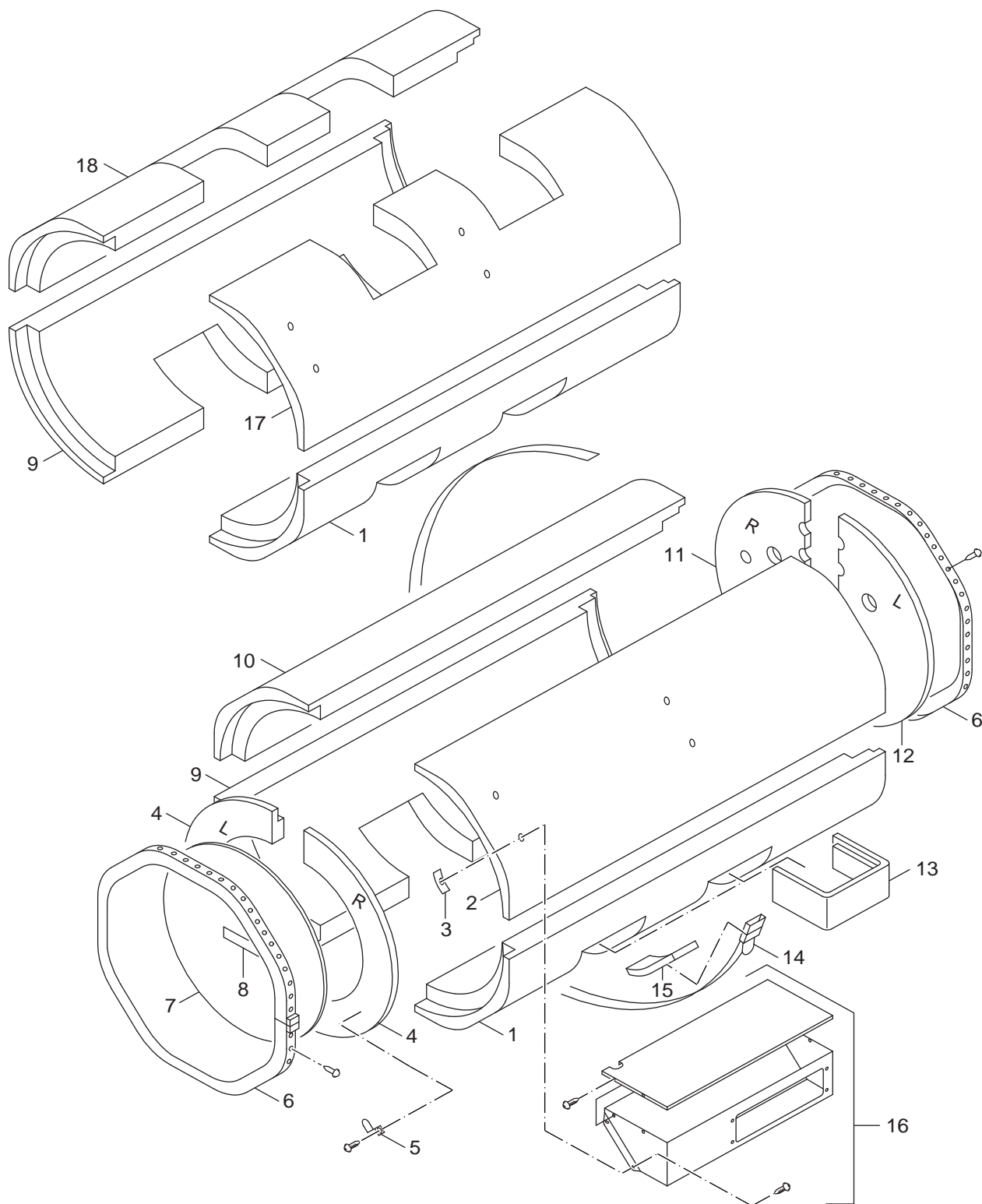
8738890042.aa.RS-Verkleidung LTA/LT_N/H/D/LF550/1

5
B

Verkleidung LTA/LT_N/H/D/LF550/1
Housing LTA/LT_N/H/D/LF550/1

LT/LF400/1-3000/1

Ersatzteilliste
Spare parts list



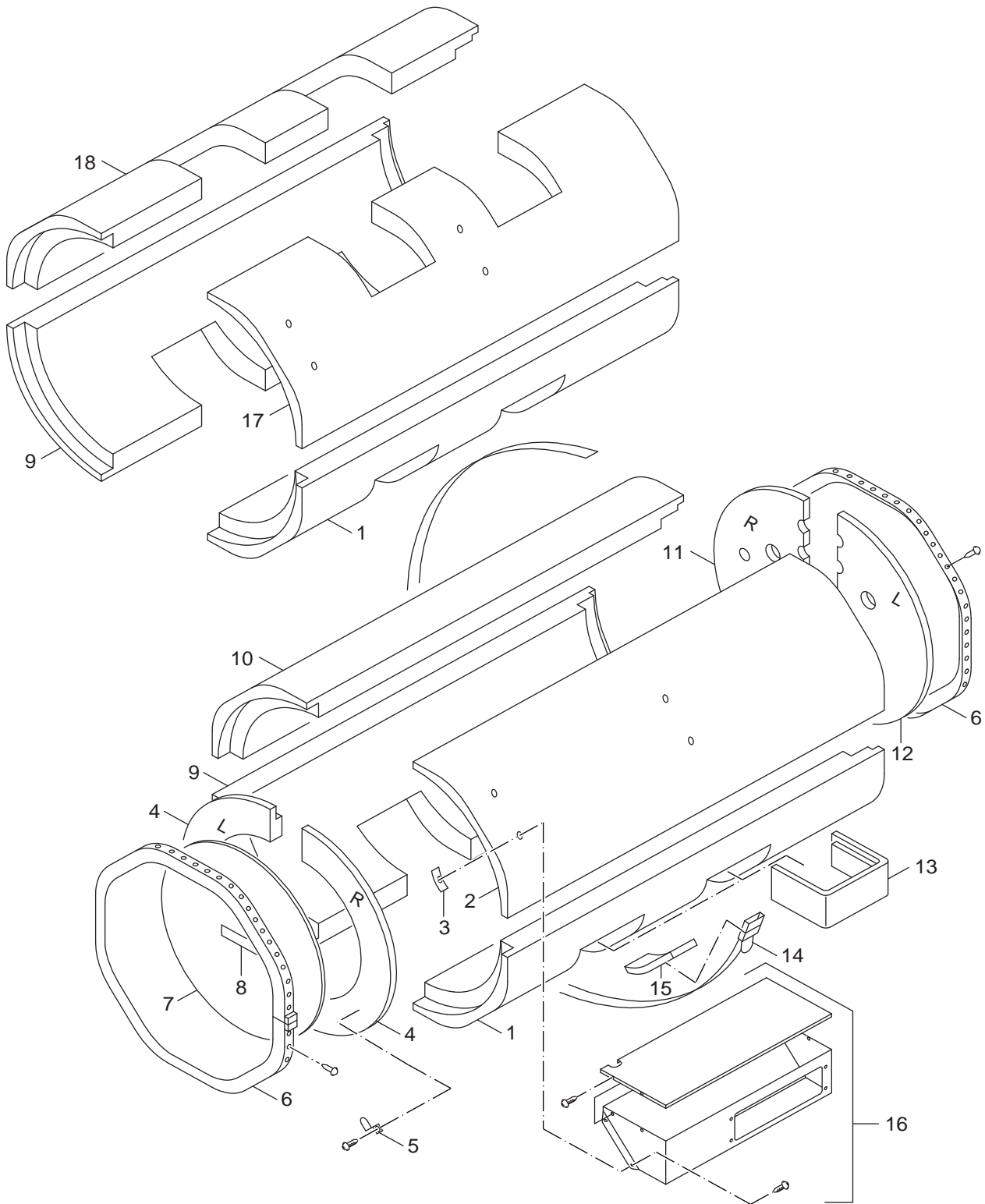
8738890043.aa.RS-Verkleidung LTA/LT_N/H/D/LF750/1

Verkleidung LTA/LT_N/H/D/LF750/1
Housing LTA/LT_N/H/D/LF750/1

LT/LF400/1-3000/1

5
C

Ersatzteilliste
Spare parts list



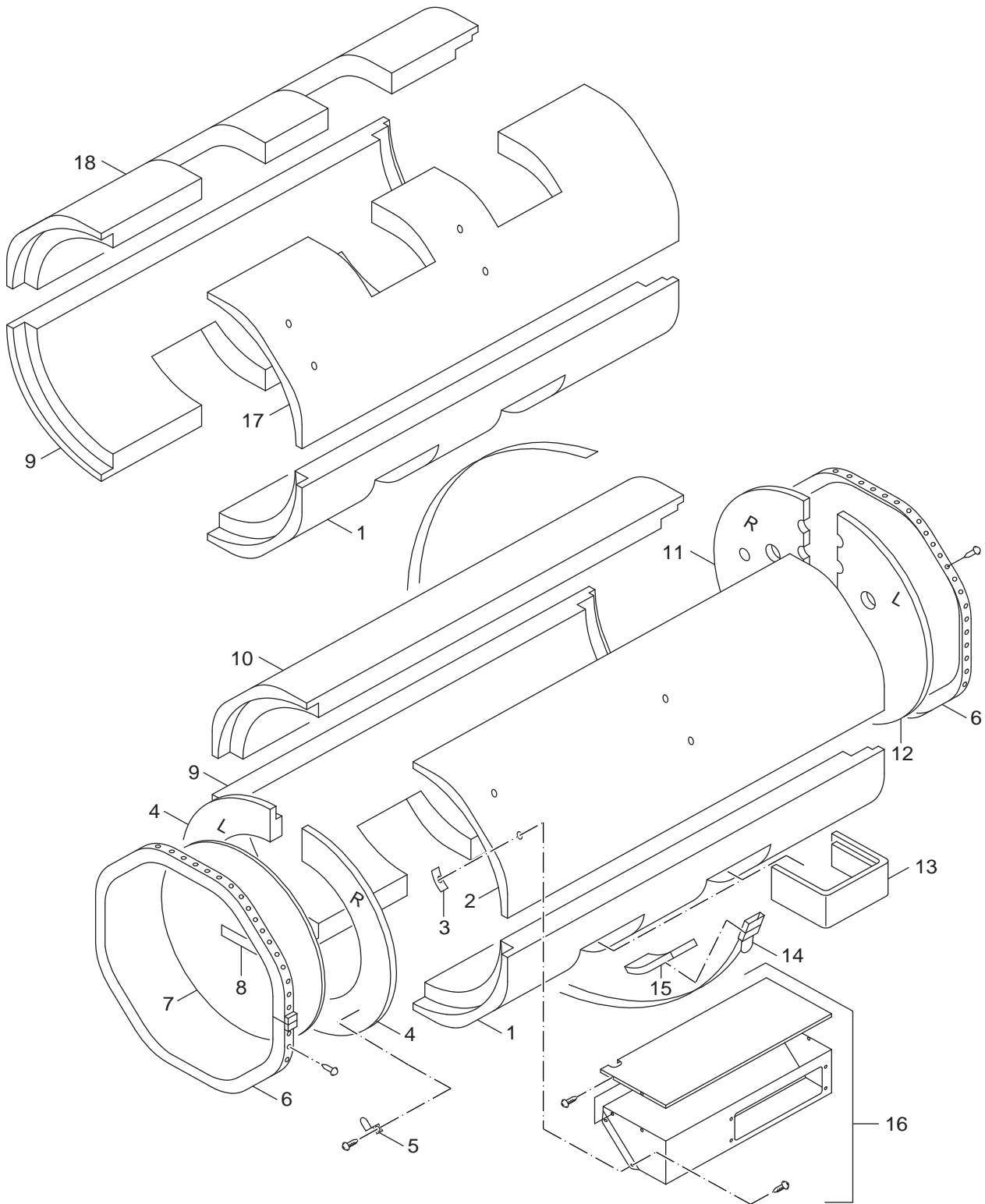
8738890045.aa.RS-Verkleidung LTA/LT_N/H/D/LF1500/1

5
E

Verkleidung LTA/LT_N/H/D/LF1500/1
Housing LTA/LT_N/H/D/LF1500/1

LT/LF400/1-3000/1

Ersatzteilliste
Spare parts list



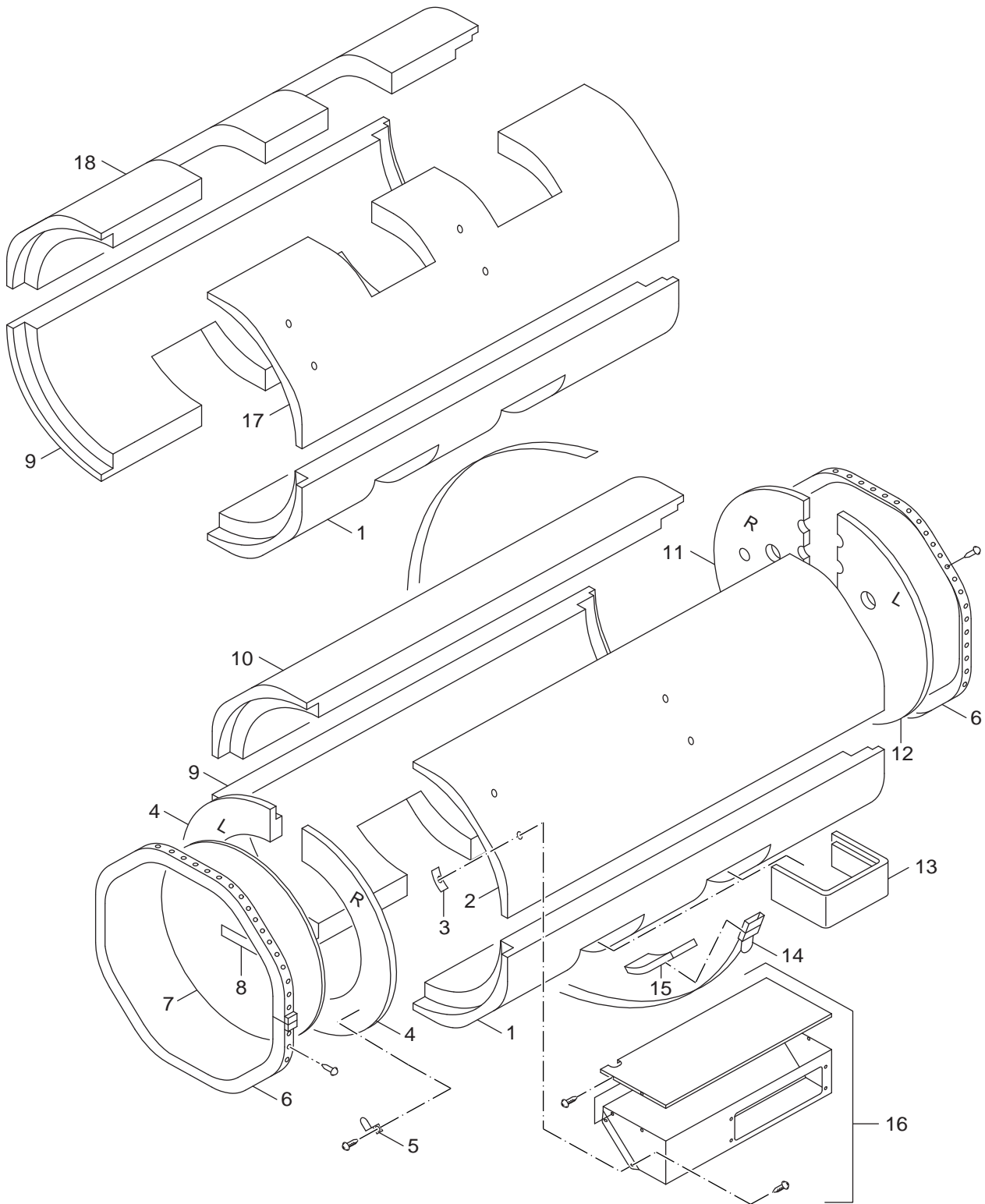
8738890046.aa.RS-Verkleidung LTA/LT_N/H/D/LF2000/1

5
F

Verkleidung LTA/LT_N/H/D/LF2000/1
 Housing LTA/LT_N/H/D/LF2000/1

LT/LF400/1-3000/1

Ersatzteilliste
Spare parts list



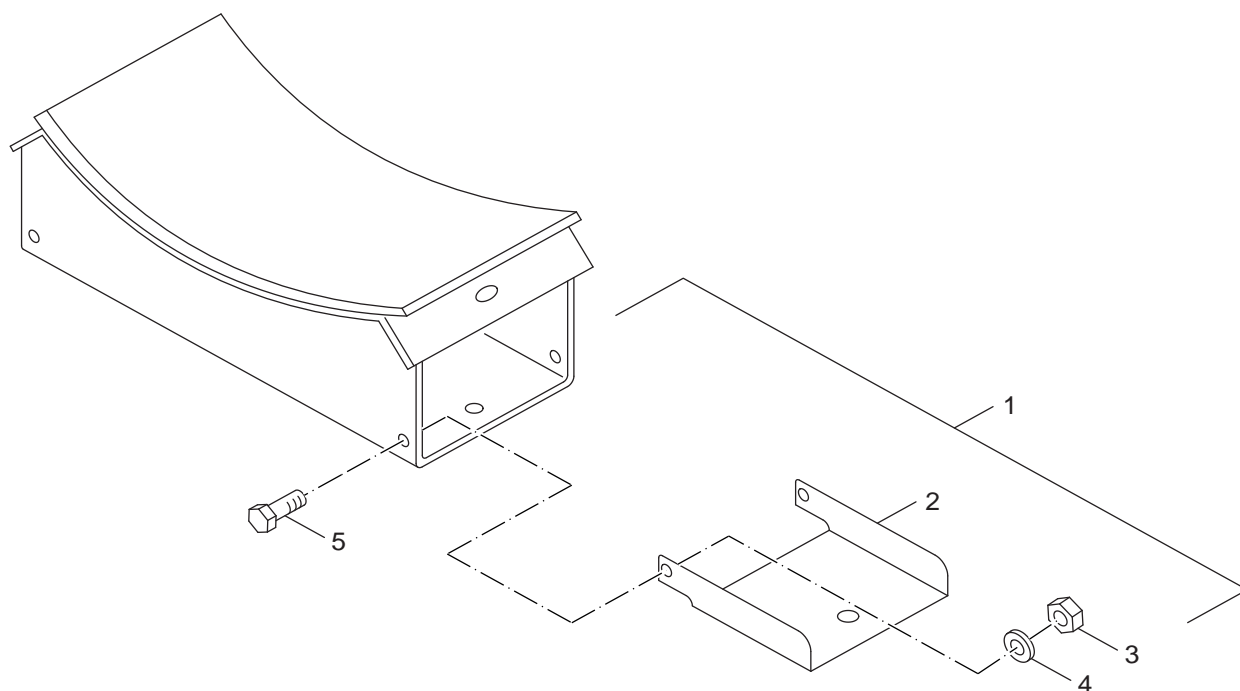
8738890048.aa.RS-Verkleidung LTA/LT_N/H/D/LF3000/1

5
H

Verkleidung LTA/LT_N/H/D/LF3000/1
Housing LTA/LT_N/H/D/LF3000/1

LT/LF400/1-3000/1

Ersatzteilliste
Spare parts list



8738890049.aa.RS-Sattelverlängerung/Montagematerial

Sattelverlängerung/Montagematerial
Ridge plate/Installation material

LT/LF400/1-3000/1

6

Übersetzungsliste
List of translations

Pos	Description
1A Element of construction	
1	Plug DIN2950 Nr.3290 1 1/2" RG
2	Sensor well R3/4"x100mm
3	Manhole cross bar 400x300mm
4	Cap Manhole cover 400x300mm
5	gasket f manhole 400x300mm mont
6	Tightening strap LT A / LF 400/1
7	Tightening strap LT A / LF 400/1
8	Hex nut ISO4032 M12 8 A3K
9	Washer DIN125-A13-A3K
10	Gasket 32x44x2mm
11	Header supports 100mm long
12	Union nut G1 1/2
13	Flow/return header 16 bar DN50
14	Distribution pipe LT A / LF 400/1 and
15	Saddle LT A / LF 400/1
1B Element of construction	
1	Plug DIN2950 Nr.3290 1 1/2" RG
2	Sensor well R3/4"x100mm
3	Manhole cross bar 400x300mm
4	Cap Manhole cover 400x300mm
5	gasket f manhole 400x300mm mont
6	Tightening strap LT A / LF 1500/1
7	Tightening strap LT A / LF 1500/1
8	Hex nut ISO4032 M12 8 A3K
9	Washer DIN125-A13-A3K
10	Gasket 32x44x2mm
11	Header supports 100mm long
12	Union nut G1 1/2
13	Flow/return header 16 bar DN65
14	Distribution pipe LT A / LF 1500/1 and
15	Saddle LT A / LF 1500/1
1C Element of construction	
1	Plug DIN2950 Nr.3290 1 1/2" RG
2	Sensor well R3/4"x100mm
3	Manhole cross bar 400x300mm
4	Cap Manhole cover 400x300mm
5	gasket f manhole 400x300mm mont
6	Tightening strap LT A / LF 2000/1 -
7	Tightening strap LT A / LF 2000/1 -
8	Hex nut ISO4032 M12 8 A3K
9	Washer DIN125-A13-A3K
10	Gasket 32x44x2mm
11	Header supports 100mm long
12	Header supports 65mm long
13	Connection pipe for header
14	Union nut G1 1/2
15	Flow header 16 bar DN80
16	Return header 16 bar DN80
17	Distribution pipe LT A / LF 1500/1 and
18	Saddle LT A / LF 2000/1 - 3000/1
1D Element of construction	
1	Plug DIN2950 Nr.3290 1 1/2" RG
2	Sensor well R3/4"x100mm
3	Manhole cross bar 400x300mm
4	Cap Manhole cover 400x300mm
5	gasket f manhole 400x300mm mont

Übersetzungsliste
List of translations

Pos	Description
6	Tightening strap LT A / LF 2000/1 -
7	Tightening strap LT A / LF 2000/1 -
8	Hex nut ISO4032 M12 8 A3K
9	Washer DIN125-A13-A3K
10	Gasket 32x44x2mm
11	Header supports 100mm long
12	Header supports 65mm long
13	Connection pipe for header
14	Union nut G1 1/2
15	Flow header 16 bar DN80
16	Return header 16 bar DN80
17	Distribution pipe LT A / LF 2500/1 and
18	Saddle LT A / LF 2000/1 - 3000/1
2	Element of construction
1	Heating coil 1,30qm content 10 litres
2	Gasket 49x69x2mm
3	Washer 63,5x49,3x4mm
4	Counter-nut DIN B G1 1/2" 14H
5	Heating coil 2,10qm content 9 litres
6	Heating coil 1,30qm content 10 litres
7	O-ring OR 52x4mm (Viton)
8	Sealing ring 48,7x75x20mm
3A	Element of construction
1	Plug DIN2950 Nr.3290 1 1/2" RG
2	Sensor well R3/4"x100mm
3	Manhole cross bar 400x300mm
4	Cap Manhole cover 400x300mm
5	gasket f manhole 400x300mm mont
6	Tightening strap LT A / LF 400/1
7	Tightening strap LT A / LF 400/1
8	Hex nut ISO4032 M12 8 A3K
9	Washer DIN125-A13-A3K
10	Distribution pipe LT A / LF 400/1 and
11	Saddle LT A / LF 950/1
3B	Element of construction
1	Plug DIN2950 Nr.3290 1 1/2" RG
2	Sensor well R3/4"x100mm
3	Manhole cross bar 400x300mm
4	Cap Manhole cover 400x300mm
5	gasket f manhole 400x300mm mont
6	Tightening strap LT A / LF 1500/1
7	Tightening strap LT A / LF 1500/1
8	Hex nut ISO4032 M12 8 A3K
9	Washer DIN125-A13-A3K
10	Distribution pipe LT A / LF 1500/1 and
11	Saddle LT A / LF 1500/1
3C	Element of construction
1	Plug DIN2950 Nr.3290 1 1/2" RG
2	Sensor well R3/4"x100mm
3	Manhole cross bar 400x300mm
4	Cap Manhole cover 400x300mm
5	gasket f manhole 400x300mm mont
6	Tightening strap LT A / LF 2000/1 -
7	Tightening strap LT A / LF 2000/1 -
8	Hex nut ISO4032 M12 8 A3K
9	Washer DIN125-A13-A3K
10	Distribution pipe LT A / LF 1500/1 and

Übersetzungsliste
List of translations

Pos	Description
11	Saddle LT A / LF 2000/1 - 3000/1
4	Element of construction
1	Inertanode R3/4 800mm AF27
2	plastic protective tube f inert anode ev
3	Lead 2000mm long with angle flat
4	Switching panel potentiostat 09 Relay
5	Electro-heating insert 6,0KW 880 long
	Mounting kit magnesium anodes (10 pc)
	attachment material for inertanode R3/4
	Anode G1 1/4" D33x1000mm
	Anode G1 1/4" D33x1800mm
5A	Element of construction
1	Segment part 2 LT A / LF 400/1
2	Retaining spring
3	Z bracket
4	Tightening strap front / rear LT A / LF
5	Cover LT A / LF 400/1 - 3000/1
6	Device label Logalux LT
7	Segment part 1 LT A / LF 400/1
8	Cover rear R.h. LT A / LF 400/1
9	Cover rear L.h. LT A / LF 400/1
10	Saddle thermal insulation LT A / LF
11	Attachment housing
12	Segment part 2 LT A / LF 400/1
5B	Element of construction
1	Segment part 2 LT A / LF 550/1
2	Segment part 3 LT A / LF 550/1
3	Retaining spring
4	Cover front LH+RH LT/LF550/1 + 750/1
5	Z bracket
6	Tightening strap front / rear LT A / LF
7	Cover LT A / LF 400/1 - 3000/1
8	Device label Logalux LT
9	Segment part 1 LT A / LF 550/1
10	Segment part 4 LT A / LF 550/1
11	Cover rear R.h. LT A / LF 550/1 and
12	Cover rear L.h. LT A / LF 550/1 and
13	Saddle thermal insulation LT A / LF
14	Strap H3BU10
15	Spacer colour black
16	Attachment housing
17	Segment part 3 LT A / LF 550/1
18	Segment part 4 LT A / LF 550/1
5C	Element of construction
1	Segment part 2 LT A / LF 750/1
2	Segment part 3 LT A / LF 750/1
3	Retaining spring
4	Cover front LH+RH LT/LF550/1 + 750/1
5	Z bracket
6	Tightening strap front / rear LT A / LF
7	Cover LT A / LF 400/1 - 3000/1
8	Device label Logalux LT
9	Segment part 1 LT A / LF 750/1
10	Segment part 4 LT A / LF 750/1
11	Cover rear R.h. LT A / LF 550/1 and
12	Cover rear L.h. LT A / LF 550/1 and
13	Saddle thermal insulation LT A / LF

Übersetzungsliste
List of translations

Pos	Description
14	Strap H3BU10
15	Spacer colour black
16	Attachment housing
17	Segment part 3 LT A / LF 750/1
18	Segment part 4 LT A / LF 750/1
5D	Element of construction
1	Segment part 2 LT A / LF 950/1
2	Segment part 3 LT A / LF 950/1
3	Retaining spring
4	Cover front LH+RH LT/LF950/1
5	Z bracket
6	Tightening strap front / rear LT A / LF
7	Cover LT A / LF 400/1 - 3000/1
8	Device label Logalux LT
9	Segment part 1 LT A / LF 950/1
10	Segment part 4 LT A / LF 950/1
11	Cover rear R.h. LT A / LF 950/1
12	Cover rear L.h. LT A / LF 950/1
13	Saddle thermal insulation LT A / LF
14	Strap H3BU10
15	Spacer colour black
16	Attachment housing
17	Segment part 3 LT A / LF 950/1
18	Segment part 4 LT A / LF 950/1
5E	Element of construction
1	Segment part 2 LT A / LF 1500/1
2	Segment part 3 LT A / LF 1500/1
3	Retaining spring
4	Cover front LH+RH LT/LF1500/1
5	Z bracket
6	Tightening strap front / rear LT A / LF
7	Cover LT A / LF 400/1 - 3000/1
8	Device label Logalux LT
9	Segment part 1 LT A / LF 1500/1
10	Segment part 4 LT A / LF 1500/1
11	Cover rear R.h. LT A / LF 1500/1
12	Cover rear L.h. LT A / LF 1500/1
13	Saddle thermal insulation LT A / LF
14	Strap H3BU10
16	Attachment housing
17	Segment part 3 LT A / LF 1500/1
18	Segment part 4 LT A / LF 1500/1
5F	Element of construction
1	Segment part 2 LT A / LF 2000/1
2	Segment part 3 LT A / LF 2000/1
3	Retaining spring
4	Cover front LH+RH LT/LF2000/1+3000/1
5	Z bracket
6	Tightening strap front / rear LT A / LF
7	Cover LT A / LF 400/1 - 3000/1
8	Device label Logalux LT
9	Segment part 1 LT A / LF 2000/1
10	Segment part 4 LT A / LF 2000/1
11	Cover rear R.h. LT A / LF 2000/1
12	Cover rear L.h. LT A / LF 2000/1
13	Saddle thermal insulation LT A / LF
14	Strap H3BU10

Bosch Thermotechnik GmbH
Sophienstraße 30-32
D-35576 Wetzlar
www.buderus.de

Buderus