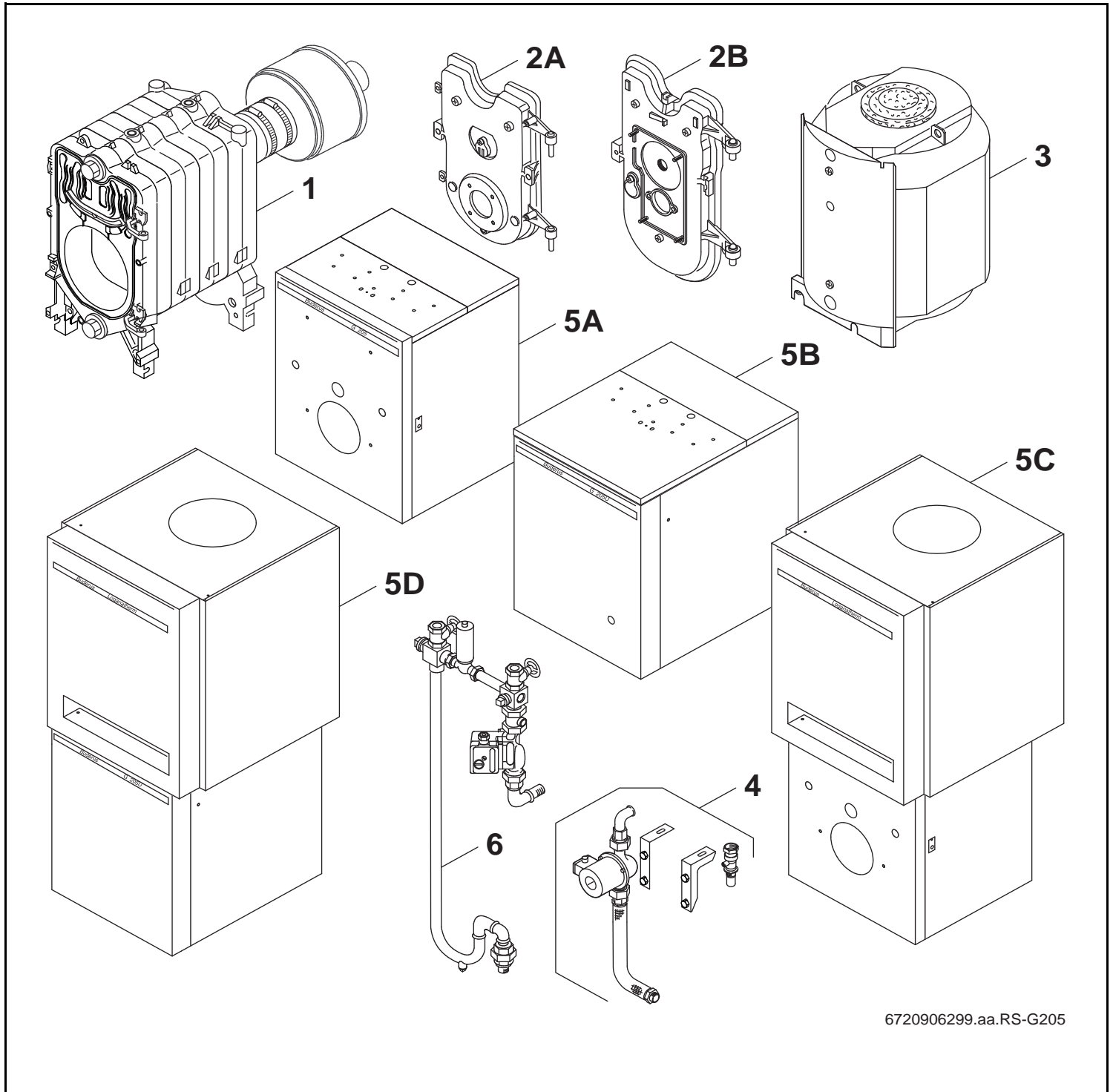


G205U/T/UT 17-50kW



6720906299.aa.RS-G205

Buderus

Wichtige Hinweise

- Ersatzteile dürfen nur von einem zugelassenen Installateur eingebaut werden!
- Im Anhang finden Sie:
 - die Übersetzungen aller verwendeten Teilebezeichnungen
 - eine Übersicht der Gerätetypen und Länder, für die diese Ersatzteilliste gilt.

Important notes

- The spare parts may only be installed by an approved installer!
- In the appendix you will find:
 - a list of translations of the names of all parts used
 - a list of the models and countries to which this spare parts list applies.

Indications importantes

- L'installation des pièces de rechange doit être effectuée par un professionnel qualifié!
- Veuillez trouver en annexe:
 - les traductions de toutes les désignations des pièces utilisées
 - une vue globale des types de chaudières et des pays pour lesquels la présente liste des pièces de rechange est valable.

Informações importantes

- Peças de substituição só podem ser montadas por um técnico credenciado!
- Em anexo encontra:
 - as traduções das designações de todas as peças utilizadas.
 - lista dos aparelhos e países para os quais esta lista de peças de substituição é válida.

Avvertenze importanti

- Le parti di ricambio possono essere montate esclusivamente da personale qualificato ed in possesso dei requisiti tecnico-professionali!
- In appendice sono reperibili:
 - traduzione di ogni descrizione relativa alle varie parti di ricambio
 - elenco di sigle e codici, corrispondente ai vari paesi di destinazione.

Indicaciones importantes

- Los repuestos solamente deben ser montados por los servicios técnicos oficiales de la marca!
- En el anexo podrá encontrar:
 - la traducción de todas las denominaciones de piezas empleadas
 - una relación de los tipos de aparato y países en los que se aplica esta lista de repuestos.

Belangrijke aanwijzing

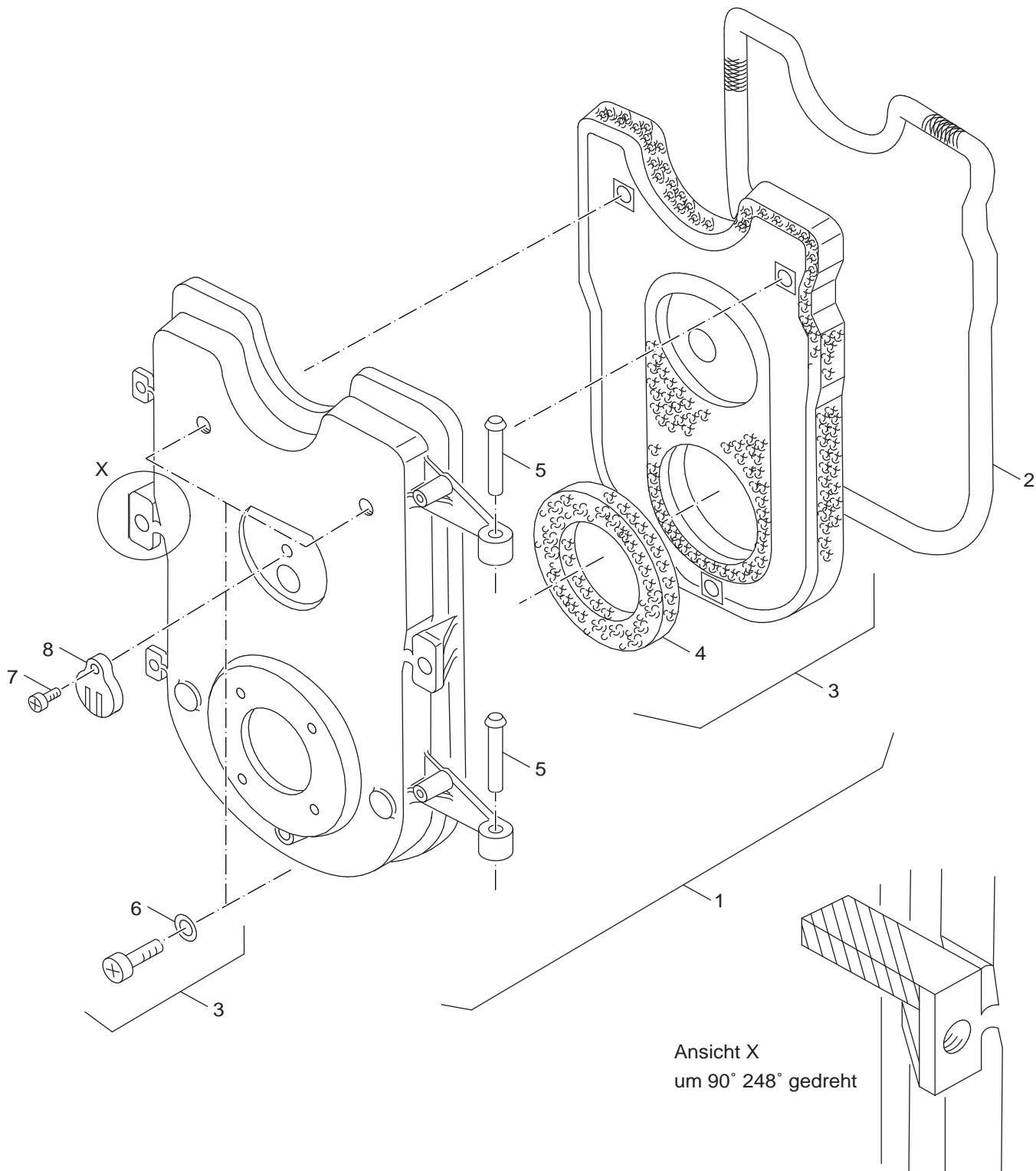
- Onderdelen mogen alleen door een erkend installateur worden vervangen!
- In de bijlage vindt u:
 - de vertalingen van de gebruikte onderdelentekeningen
 - een overzicht van toesteltypen en de landen waarvoor deze onderdelenlijst bedoeld is.

Önemli Bilgiler

- Yedek parçalar sadece yetkili tesisatçılar tarafından monte edilebilir!
- Aşağıdaki bilgileri ekli olarak bulabilirsiniz:
 - Tüm kullanılan parça tanımlarının tercümelemleri
 - Bu yedek parça listesinin geçerli olduğu tüm cihaz çeşitleri ve ülkelerin özeti.

Pos	Bezeichnung description	Bestell-Nr. Ordering no.	G205U/T/UT																		Bemerkungen Remarks
1	Kesselblock G205 Gr.20/3, G205U Gr.17/3	5178320	■																		
1	Kesselblock G205 Gr.27/3, G205U Gr.21/3	5178322	■																		
1	Kesselblock G205 Gr.34/4, G205U Gr.28/4	5178324	■																		
1	Kesselblock G205 Gr.42/5, G205U Gr.35/5	5178326	■																		
1	Kesselblock G205 Gr.50/6, G205U Gr.43/6	5178328	■																		
1	Kesselblock G205 Gr.58/7	5178330	■																		
1	Kesselblock G205 Gr.66/8	5178332	■																		
2	Vorderglied G205	8 718 572 230 0	■																		>11/86
3	Blindstopfen G 1 1/2"	8 718 571 257 0	■																		
4	Dichtung D48x63x1,5mm (2x)	8 718 571 259 0	■																		
5	Unterlegscheibe DIN125 A8,4 A3K (10x)	8 718 571 269 0	■																		
6	Hinterglied kompl. ohne Sperrrippe G205	5626320	■																		21/3-66/8
6	Hinterglied G205	8 718 572 233 0	■																		17/3-20/3
7	Stiftschraube DIN939 M10x35mm (2x)	8 718 571 263 0	■																		
8	Stiftschraube M10x65 5.6 n.Zeichnung	5555070	■																		
9	Unterlegscheibe DIN125-st 10,5x2,0mm	82867140	■																		
10	6kt-Mutter ISO4032 M10 8 A3K (10x)	7 747 028 583	■																		
11	Mittelglied G205	8 718 572 231 0	■																		
12	Mittelglied G205 VLO	8 718 572 232 0	■																		
13	Dichtung D41,7x55x1,5mm AFM 34,weiß	86159710	■																		
14	Blindstopfen G1 1/4" rechts	86055310	■																		
15	Kesselnippel 48/38 Gr.0a	7 747 024 961	■																		
16	Dichtschnur D15x4300 20KMK Pack A=2Rol	7 747 013 784	■																		
16	Dichtschnur D15x4300 20KMK Pack B=3Rol	7 747 013 785	■																		
17	Tauchhülse R3/4"x100mm	5446065	■																		
18	Sperrplatte mit Senkschraube G205	63015343	■																		
19	Ankerstange kompl. M10x300mm	5426215	■																		3Glieder
19	Ankerstange kompl. M10x380mm	5426220	■																		4Glieder
19	Ankerstange kompl M10x460mm	5426225	■																		5Glieder
19	Ankerstange kompl. M10x540mm	5426230	■																		6Glieder
19	Ankerstange kompl. M10x620mm	5426235	■																		7Glieder
19	Ankerstange kompl. M10x705mm	5426240	■																		8Glieder
20	Scharnierwinkel mit Anschlag G205/-U	9523963	■																		
22	Unterlegscheibe DIN125-st 10,5x2,0mm	82867140	■																		
23	Abgassammler D150 kompl. G205/-U	63027422	■																		5-8Gld < 01/87
23	Abgassammler D130 kompl. G205/-U	63027424	■																		3/4 Gld < 01/87
24	Reinigungsdeckel Abgassammler G205 kpl	5322920	■																		
25	Dichtschnur GP 7x1000	63020960	■																		
26	Abgasrohr-Abdichtmanschette DN130 kompl.	5354010	■																		
26	Abgasrohr-Abdichtmanschette DN150 kompl.	5354012	■																		
27	Abgasschalldämpfer kompl. 3+4 Glieder	5027060	■																		3/4Gld >01/87
27	Abgasschalldämpfer kompl. 5+6 Glieder	5027064	■																		5/6Gld >01/94
28	Abgasschalldämpfer aus Stahl, DN 150	5074542	■																		5/6Gld >02/94
29	Abgasrohr-Abdichtmanschette DN150 kompl.	5354142	■																		
30	Dichtschnur 10x2000 GP	63020963	■																		
31	Anschlussflansch DN 32	5430611	■																		
32	Anschlussformstück T R 5/4"	5538272	■																		
33	Stopfen G 1	5317712	■																		
34	Dichtung D57x96x1,5mm	2515165	■																		
35	Konsole, 3 Gieder	5427340	■																		
36	Heizgaslenkplatten-Satz Gr. 34/4 Glieder	5347502	■																		
36	Heizgaslenkplatten-Satz Gr. 42/5 Glieder	5347504	■																		
G205U/T/UT																Kesselblock Boiler block				1	
17-50kW																					

Ersatzteilliste
Spare parts list



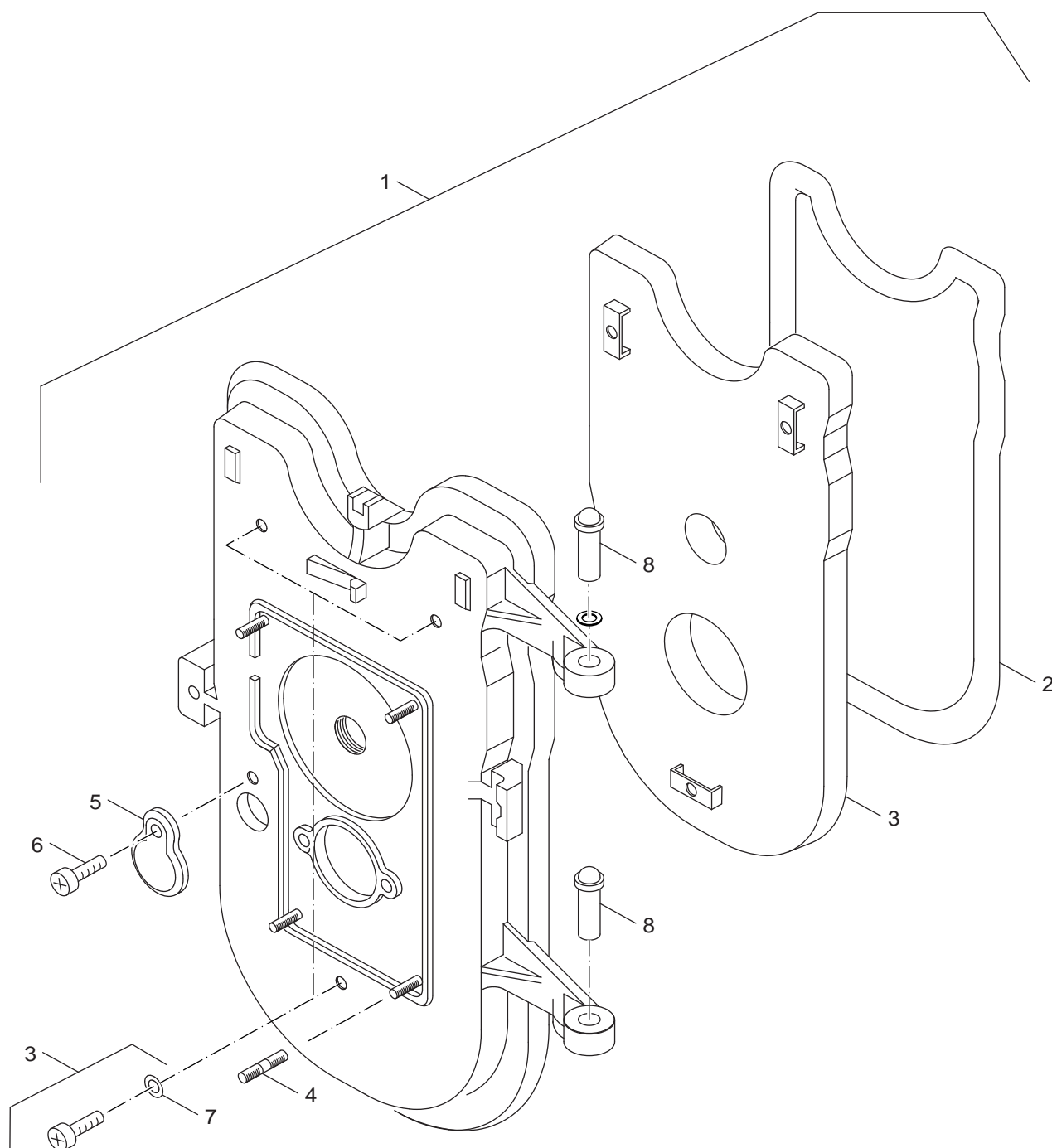
6720906301.aa.RS-Brennertür G205 Fremdbrenner

2
A

Brennertür Fremdbrenner
Burner door external burner

G205U/T/UT
17-50kW

Ersatzteilliste
Spare parts list



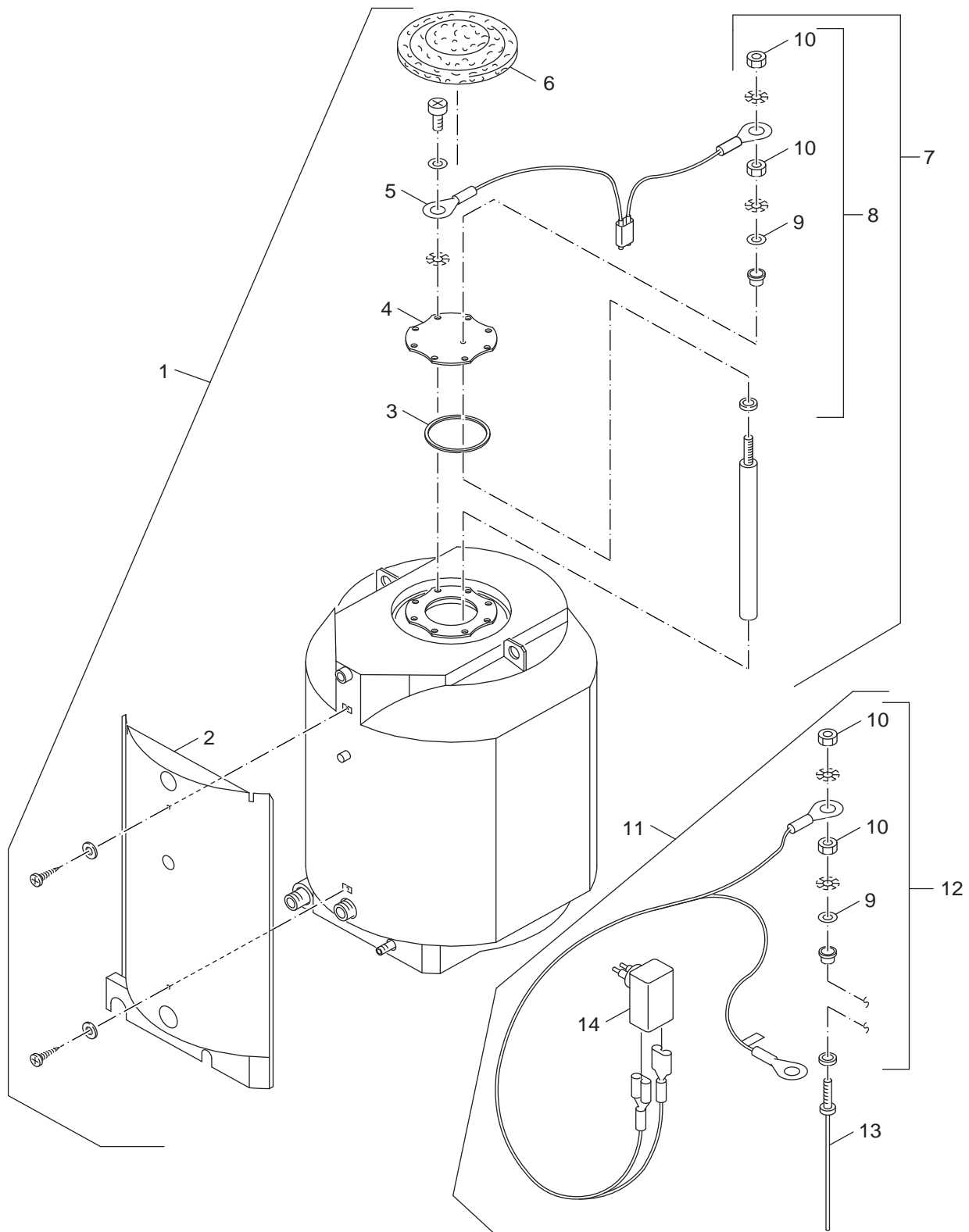
6720906302.aa.RS-Brennertür G205U

2
B

Brennertür G205U
 Burner door G205U

G205U/T/UT
17-50kW

Ersatzteilliste
Spare parts list



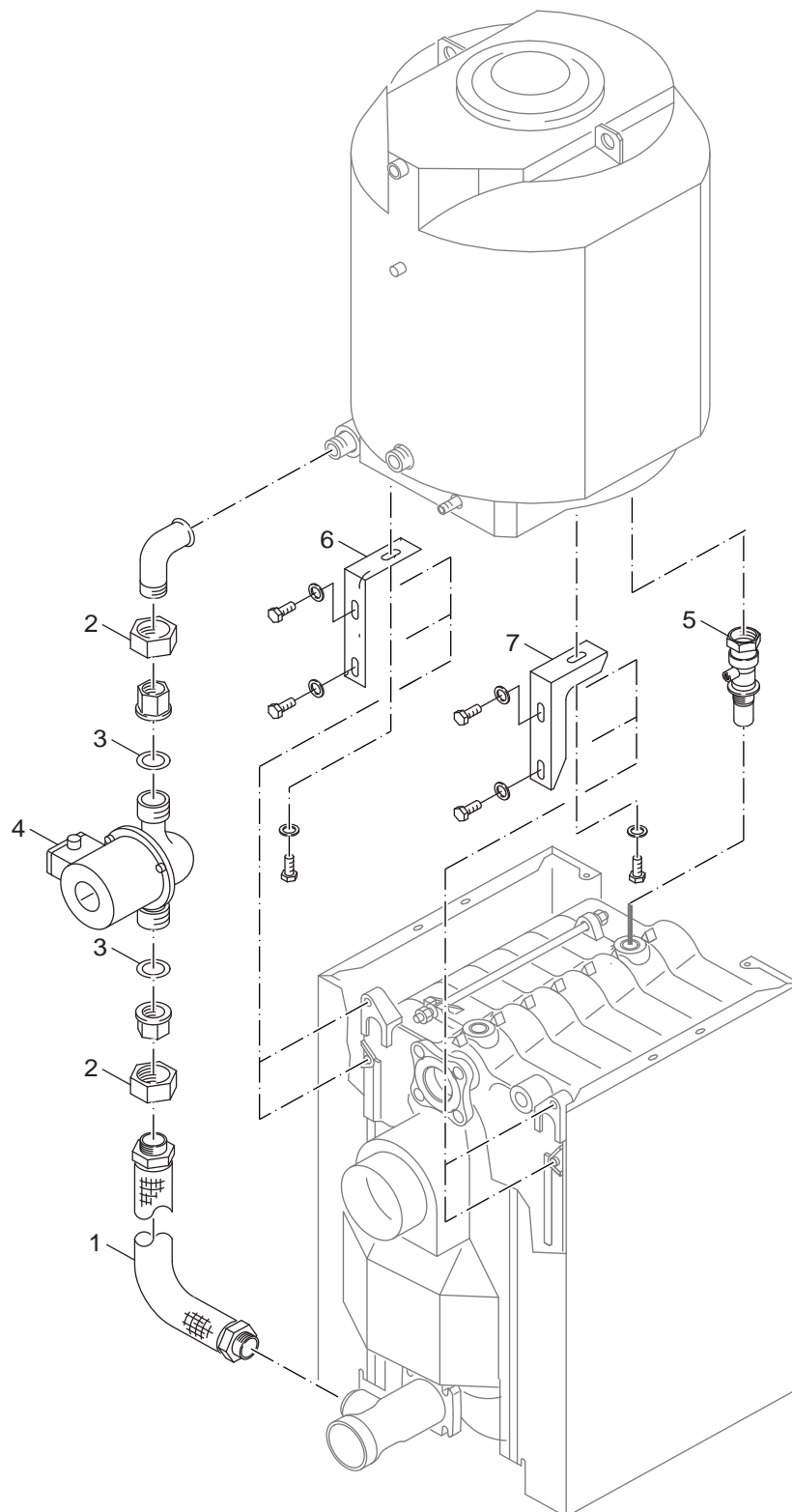
6720906303.aa.RS-Speicher-WE150T

Speicher WE150T
Cylinder

G205U/T/UT
17-50kW

3

Ersatzteilliste
Spare parts list



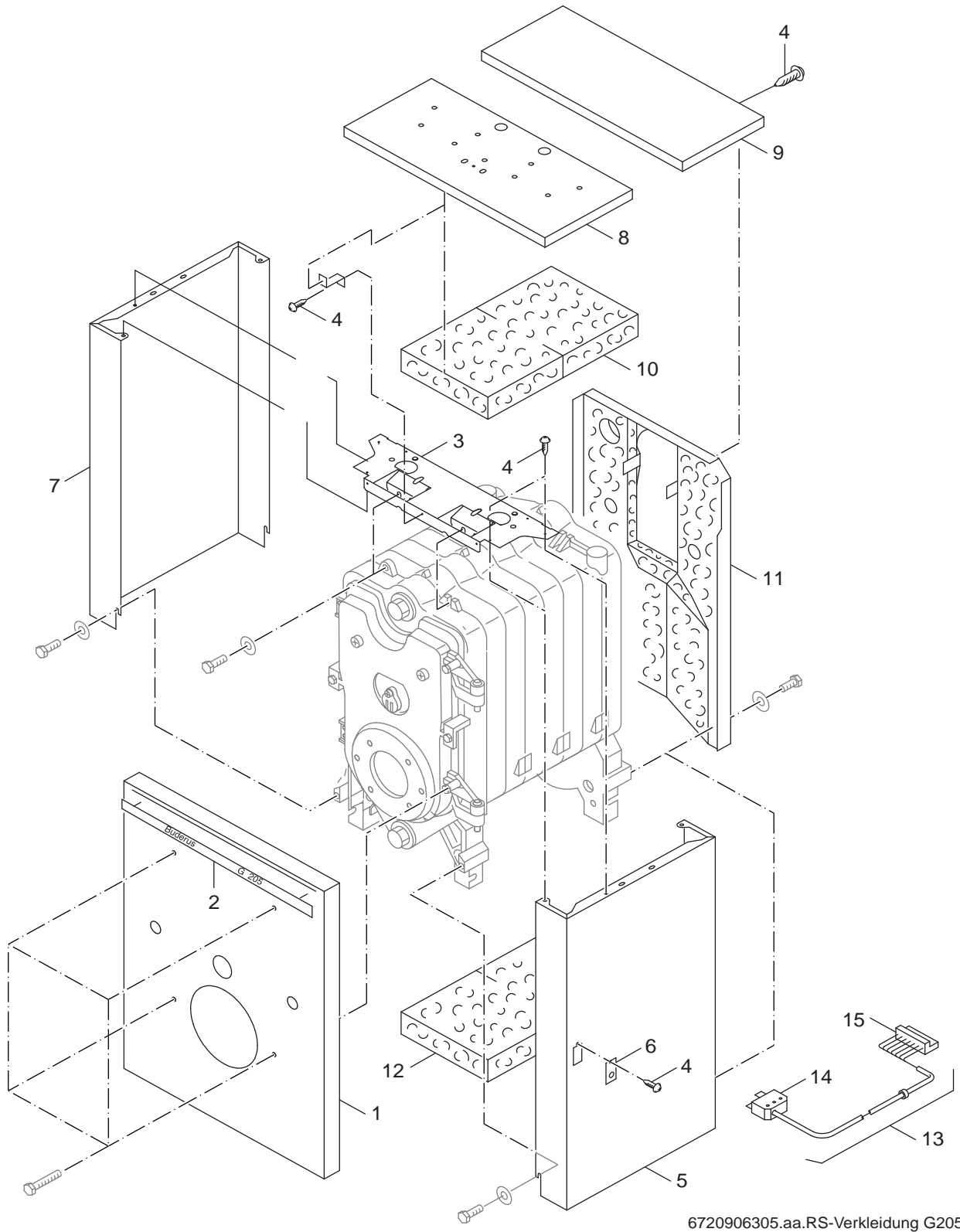
6720906304.aa.RS-Kessel-Speicher-Verrohrung G205

Kessel-Speicher-Verrohrung
 Boiler-DHW pipework

G205U/T/UT
17-50kW

4

Ersatzteilliste
Spare parts list



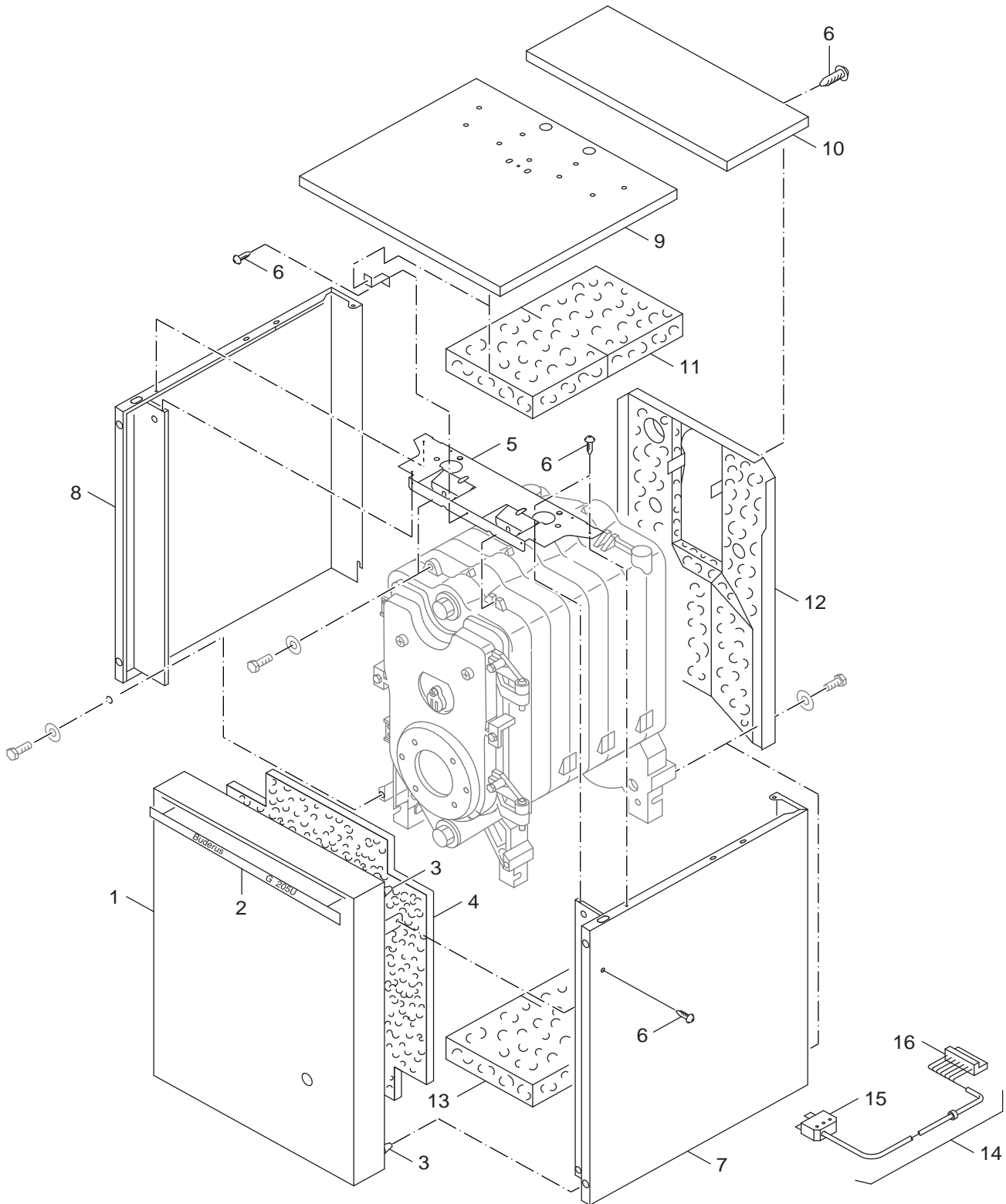
6720906305.aa.RS-Verkleidung G205

5
A

Verkleidung G205
Housing G205

G205U/T/UT
17-50kW

Ersatzteilliste
Spare parts list



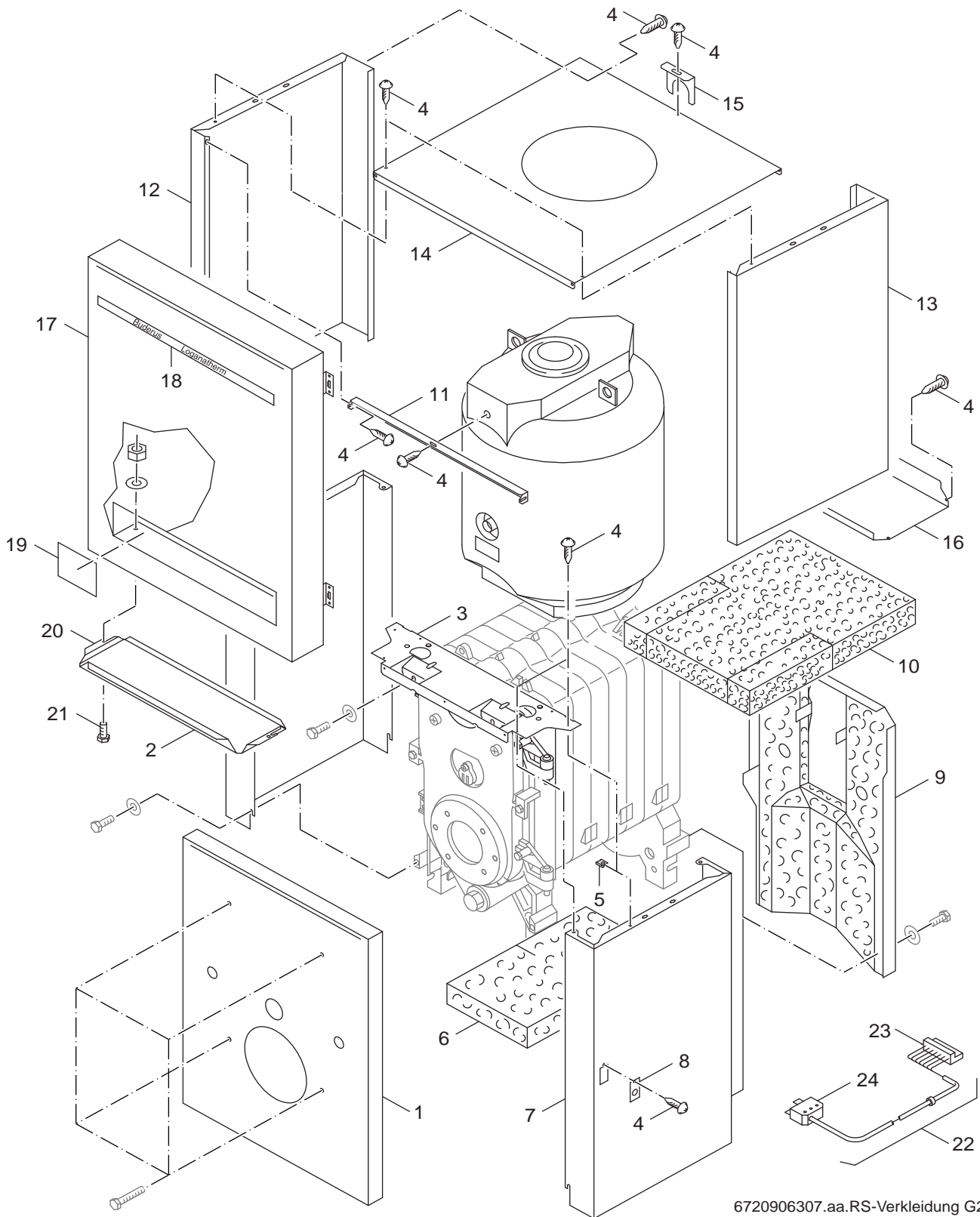
6720906306.aa.RS-Verkleidung G205U

5
B

Verkleidung G205U
Housing G205U

G205U/T/UT
17-50kW

Ersatzteilliste
Spare parts list



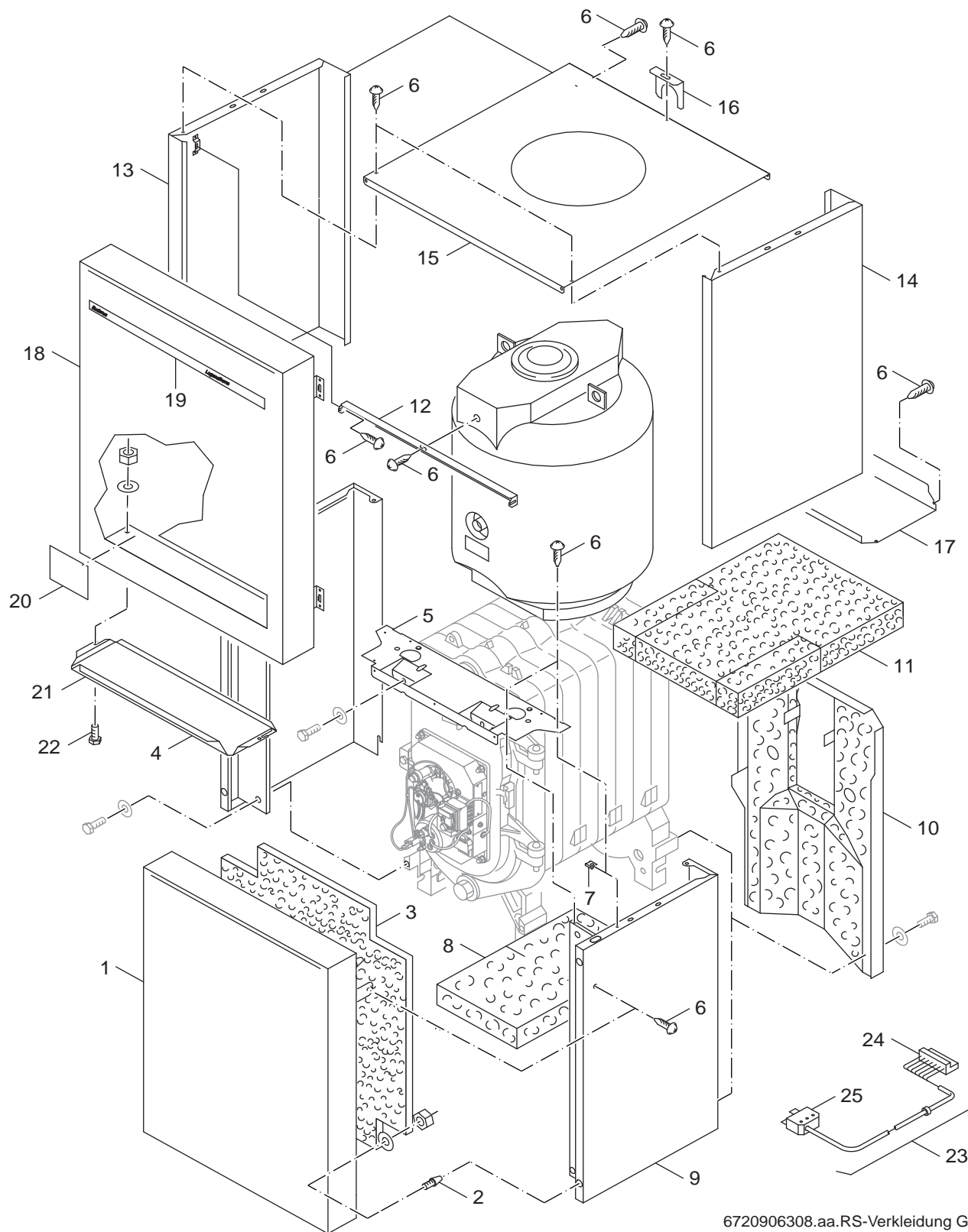
6720906307.aa.RS-Verkleidung G205T

5
C

Verkleidung G205T
Housing G205T

G205U/T/UT
17-50kW

Ersatzteilliste
Spare parts list



6720906308.aa.RS-Verkleidung G205UT

5
D

Verkleidung G205UT
Housing

G205U/T/UT
17-50kW

Übersetzungsliste
List of translations

Pos	Description
1	Element of construction
1	Boiler block G205 20/3, G205U 17/3
2	Section Frontside G205
3	Blanking plug G 1 1/2
4	gasket D48x63x1,5mm (2x)
5	Washer DIN125 A3K (10x)
6	Rear section without Sperrippe G205
7	Threaded stud DIN939 M10x35mm (2x)
8	Stud M10x65 5.6 according to the drawing
9	Washer DIN125-st 10,5x2,0mm
10	Hexagon nut ISO4032 M10 8 A3K (10x)
11	Section Centre G205
12	Section Centre G205 VLO
13	Gasket D41,7x55x1,5mm AFM 34, white
14	Dummy plug G1 1/4" R.h.
15	Boiler fitting 48/38 Sz 0a repl. pack
16	Packing cord D15x4300 20KVMvk pack A=2rol
17	Sensor well R3/4"x100mm
18	Blocking plate with countersunk bolt
19	Tie rod M10x300mm
20	Hinge bracket with end stop G205/-U
22	Washer DIN125-st 10,5x2,0mm
23	Flue gas header D 150 for size
24	Clean-out cover Flue gas header G205
25	Packing cords GP 7x1000
26	Flue pipe sealing collar DN130
27	Flue gas silencer 3+4 Sections
28	Exhaust silencer DN 150 Steel
29	Flue pipe sealing collar DN150
30	Packing cords 10x2000 GP
31	Connection flange DN32
32	Manifold T R1 1/4"
33	Plug G 1
34	Gasket D57x96x1.5mm
35	Mounting bracket
36	Hot gas baffle G205 34/4 Sections
	Adhesive base 181 (370ml) in 500ml box
	Packing cords GP 7x1000
	Sealant linseed oil graphit 450g box sp
2A	Element of construction
1	Burner door for G205 external burner
2	Rope seal 14x1855, GP
3	Thermal insulation for Burner door
4	Insulation ring Burner door 170Dx80x38
5	Hinge pin 10x80
6	Washer DIN9021 A6,4 A3K
7	Pan-head screw DIN7985-M6x10-4.8
8	Viewing hole cover V2
	Sealing material brown (cartridge 310ml)
2B	Element of construction
1	Burner door for G205U with BRE1/RE1
2	Rope seal 14x1855, GP
3	Thermal insulation for Burner door GB
4	Stud DIN939-M8x16 5.6
5	Viewing hole cover V2
6	Pan-head screw DIN7985-M6x10-4.8
7	Washer DIN9021 A6,4 A3K

Übersetzungsliste
List of translations

Pos	Description
8	Hinge pin 10x80
	Sealing material brown (cartridge 310ml)
3	Element of construction
1	DHW cylinder 150 litres for G205T/UT
2	Rear panel cover DHW cylinder 150T for
3	O-ring 132x10mm
4	Manhole cover D210mm
5	Flue gas for magnesium anode
6	Thermal insulation cover
7	Anode D33x500mm
8	Mounting kit magnesium anodes (10 pc)
9	Washer DIN125 A3K (10x)
10	Hex nut ISO4032 M8 8 A3K
11	Inert anode UP 400mm
12	Mounting kit inert anodes (5 pack)
13	Connecting cable 3500mm long with
14	Connector potentiostat UP 19H AMP plug
4	Element of construction
1	Flex armoured hose DN25x800 1" with
2	Union nut G1 1/2
3	Gasket D32x44x2mm C4400 Klinger SIL,
4	Pump WILO RS25/6-3 180mm 9h Universal
5	Non-return valve 1"
6	Cylinder support bracket L.h. G205U/UT,
7	Cylinder support bracket R.h. G205U/UT,
5A	Element of construction
1	Front G205/T
2	Device label "Buderus G205"
3	Tie-bar G205
4	Pan-head screw ST3,9x9,5 A3E
5	Side panel R.h. size 20/3 and 27/3
6	Cable entry (slotted)
7	Side panel L.h. size 20/3 u.27/3 G205/-T
8	Hood front G205
9	Hood rear 3 Sections G205/-U
10	Thermal insulation 60x260x450 top 3-4
11	Rear panel G205/-T/-U/-UT
12	Thermal insulation bottom 7 Sections
13	Burner connection cable 3200mm long
14	Connector part ST18/7 silver-plated
15	Connecting terminal 7-pol green
	Installation material Casing G205/-U
	Pan-head screw ST3,9x9,5 A3E
	Diaphragm nipple S4-390 (10x)
5B	Element of construction
1	Burner hood G 205U/UT
2	Device label "Buderus G205"
3	Suspended bolts front S415
4	Sound-proofing Burner hood G205U/UT
5	Tie-bar G205
6	Pan-head screw ST3,9x9,5 A3E
7	Side panel R.h. size 17/3 and 21/3
8	Side panel L.h. size 17/3 and 21/3
9	Hood front
10	Hood rear 3 Sections G205/-U
11	Thermal insulation 60x260x450 top 3-4
12	Rear panel G 205U/UT

Übersetzungsliste
List of translations

Pos	Description
13	Thermal insulation 40x315x500 bottom
14	Burner cable 2350 with strain rel.
15	Connector part ST18/7 silver-plated
16	Connecting terminal 7-pol green
	Installation material Casing G205/-U
	Pan-head screw ST3,9x9,5 A3E
	Diaphragm nipple S4-390 (10x)
5C	Element of construction
2	Side panel L.h. size 20/3 u.27/3 G205/-T
3	Tie-bar G205
4	Pan-head screw ST3,9x9,5 A3E
5	Snap nut 4,2 phos SNU 0536
6	Thermal insulation 40x315x500 bottom
7	Side panel R.h. size 20/3 and 27/3
8	Cable entry (slotted)
9	Rear panel G205/-T/-U/-UT
10	Thermal insulation 60x260x450 top 3-4
12	Side panel left top G205T
13	Side panel right, top G205T
14	Hood G205T
15	Stabilising plate G205T/UT
16	Facing panel 4 Sections G205T/UT
17	Front top G205T/UT
18	Device label "Buderus G205T"
19	Cover 16x151,5x215
20	Guard plate for cable harness G205T/UT
21	Screw Pan- Head ISO7380 M5x16 (5x)
22	Burner connecting cable 4300mm long
23	Connecting terminal pluggable 12-polig
24	Connector part ST18/7 silver-plated
	Installation material Casing G205T/UT
	Pan-head screw ST3,9x9,5 A3E
	Diaphragm nipple S4-390 (10x)
5D	Element of construction
1	Burner hood G 205U/UT
2	Suspended bolts front S415
3	Sound-proofing Burner hood G205U/UT
4	Side panel L.h. size 17/3 and 21/3
5	Tie-bar G205
6	Pan-head screw ST3,9x9,5 A3E
7	Snap nut 4,2 phos SNU 0536
8	Thermal insulation 40x315x500 bottom
9	Side panel R.h. size 17/3 and 21/3
10	Rear panel G 205U/UT
11	Thermal insulation 60x260x450 top 3-4
13	Side panel left top G205UT
14	Side panel right, top G205UT
15	Hood G205UT
16	Stabilising plate G205T/UT
17	Facing panel 4 Sections G205T/UT
18	Front top G205T/UT
19	Device label "Buderus G205T"
20	Cover 16x151,5x215
21	Guard plate for cable harness G205T/UT
22	Screw Pan- Head ISO7380 M5x16 (5x)
23	Burner connecting cable 4300mm long
24	Connecting terminal pluggable 12-polig

Bosch Thermotechnik GmbH
Sophienstraße 30-32
D-35576 Wetzlar
www.buderus.de

Buderus