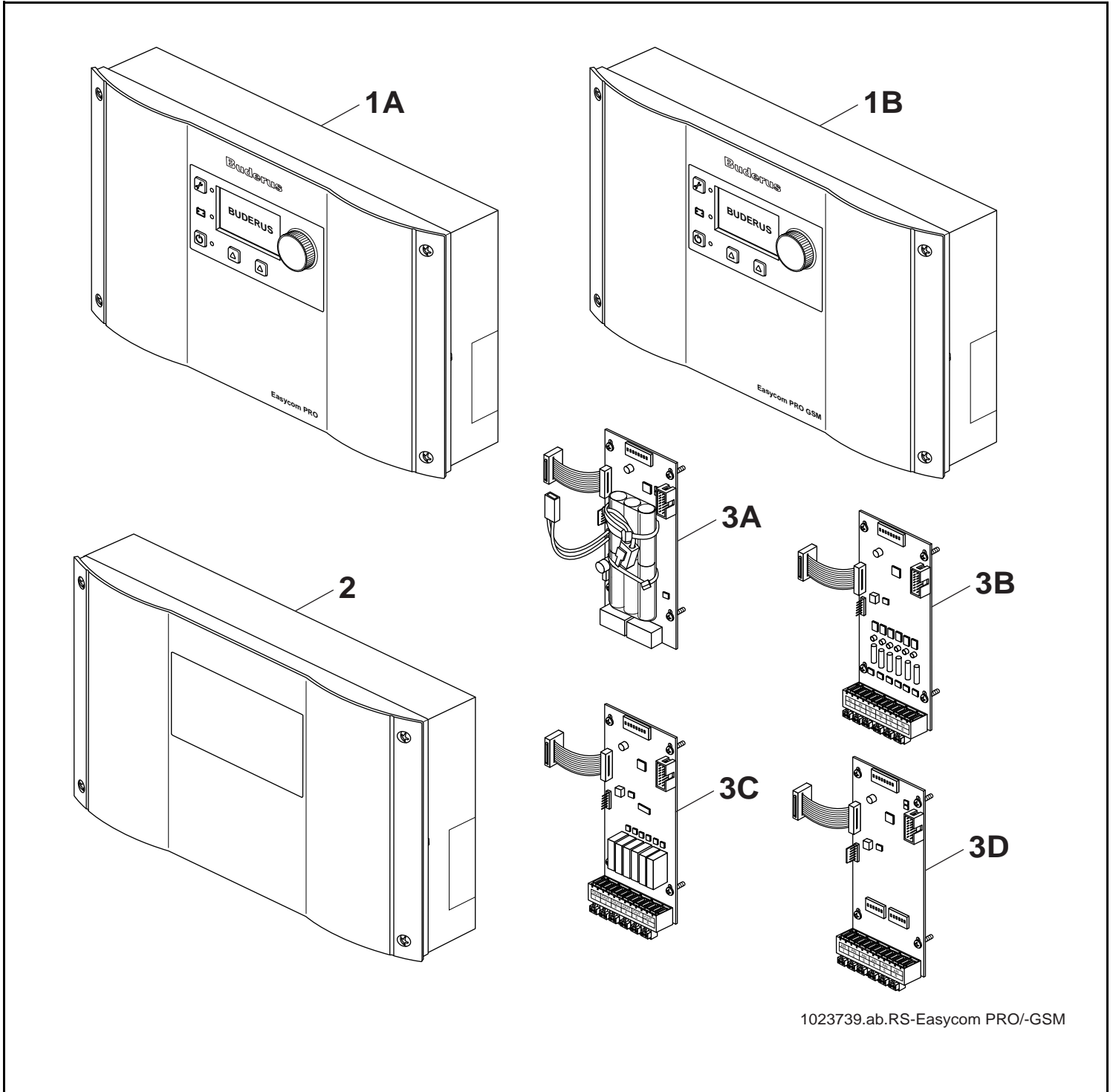


# Easycom PRO /-GSM



# **Buderus**



### Wichtige Hinweise

- Ersatzteile dürfen nur von einem zugelassenen Installateur eingebaut werden!
- Im Anhang finden Sie:
  - die Übersetzungen aller verwendeten Teilebezeichnungen
  - eine Übersicht der Gerätetypen und Länder, für die diese Ersatzteilliste gilt.

### Important notes

- The spare parts may only be installed by an approved installer!
- In the appendix you will find:
  - a list of translations of the names of all parts used
  - a list of the models and countries to which this spare parts list applies.

### Indications importantes

- L'installation des pièces de rechange doit être effectuée par un professionnel qualifié!
- Veuillez trouver en annexe:
  - les traductions de toutes les désignations des pièces utilisées
  - une vue globale des types de chaudières et des pays pour lesquels la présente liste des pièces de rechange est valable.

### Informações importantes

- Peças de substituição só podem ser montadas por um técnico credenciado!
- Em anexo encontra:
  - as traduções das designações de todas as peças utilizadas.
  - lista dos aparelhos e países para os quais esta lista de peças de substituição é válida.

### Avvertenze importanti

- Le parti di ricambio possono essere montate esclusivamente da personale qualificato ed in possesso dei requisiti tecnico-professionali!
- In appendice sono reperibili:
  - traduzione di ogni descrizione relativa alle varie parti di ricambio
  - elenco di sigle e codici, corrispondente ai vari paesi di destinazione.

### Indicaciones importantes

- Los repuestos solamente deben ser montados por los servicios técnicos oficiales de la marca!
- En el anexo podrá encontrar:
  - la traducción de todas las denominaciones de piezas empleadas
  - una relación de los tipos de aparato y países en los que se aplica esta lista de repuestos.

### Belangrijke aanwijzing

- Onderdelen mogen alleen door een erkend installateur worden vervangen!
- In de bijlage vindt u:
  - de vertalingen van de gebruikte onderdelentekeningen
  - een overzicht van toesteltypen en de landen waarvoor deze onderdelenlijst bedoeld is.

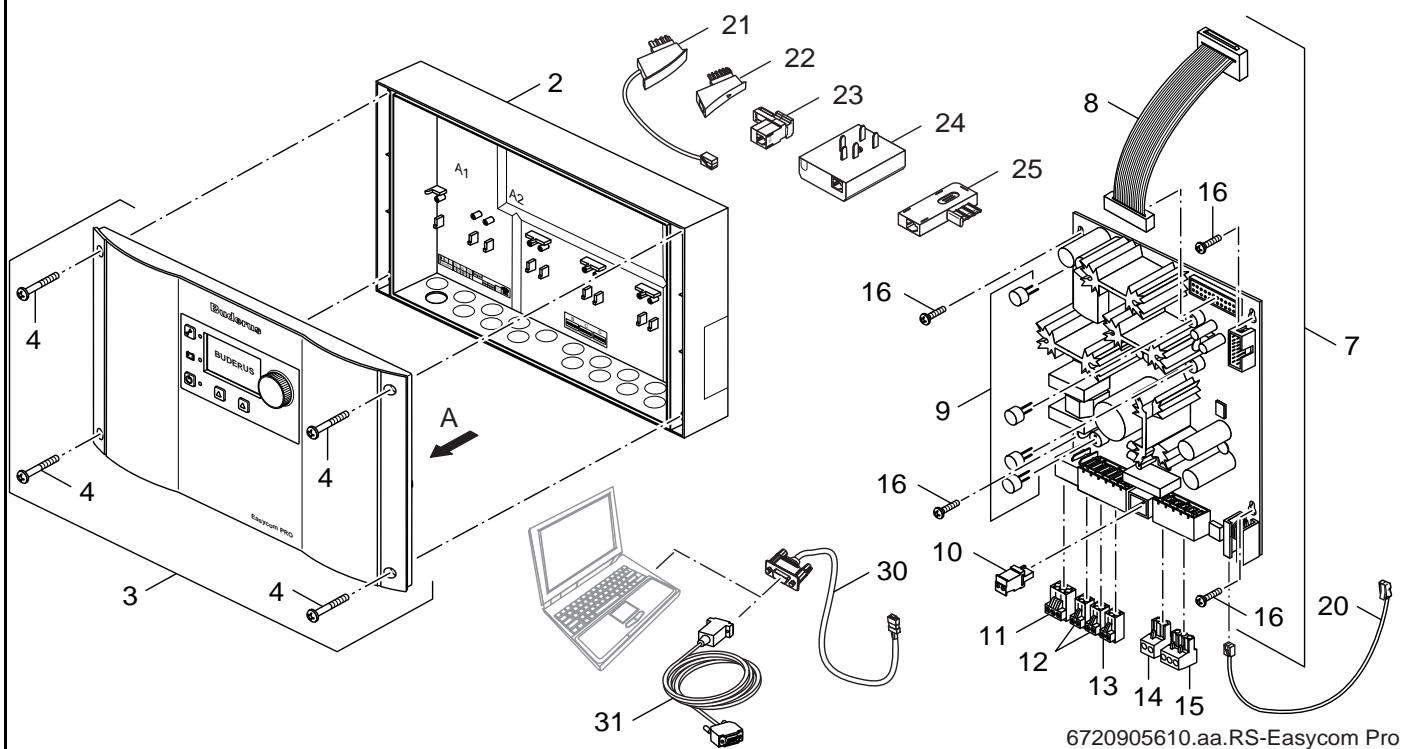
### Önemli Bilgiler

- Yedek parçalar sadece yetkili tesisatçılar tarafından monte edilebilir!
- Aşağıdaki bilgileri ekli olarak bulabilirsiniz:
  - Tüm kullanılan parça tanımlarının tercümelemleri
  - Bu yedek parça listesinin geçerli olduğu tüm cihaz çeşitleri ve ülkelerin özeti.

Ersatzteilliste  
Spare parts list

Liste des pièces de rechange  
Lista parti di ricambio

Onderdelenlijst



6720905610.aa.RS-Easycom Pro

**1** Easycom Pro  
Easycom Pro  
Easycom Pro  
Easycom Pro  
**A** Easycom Pro

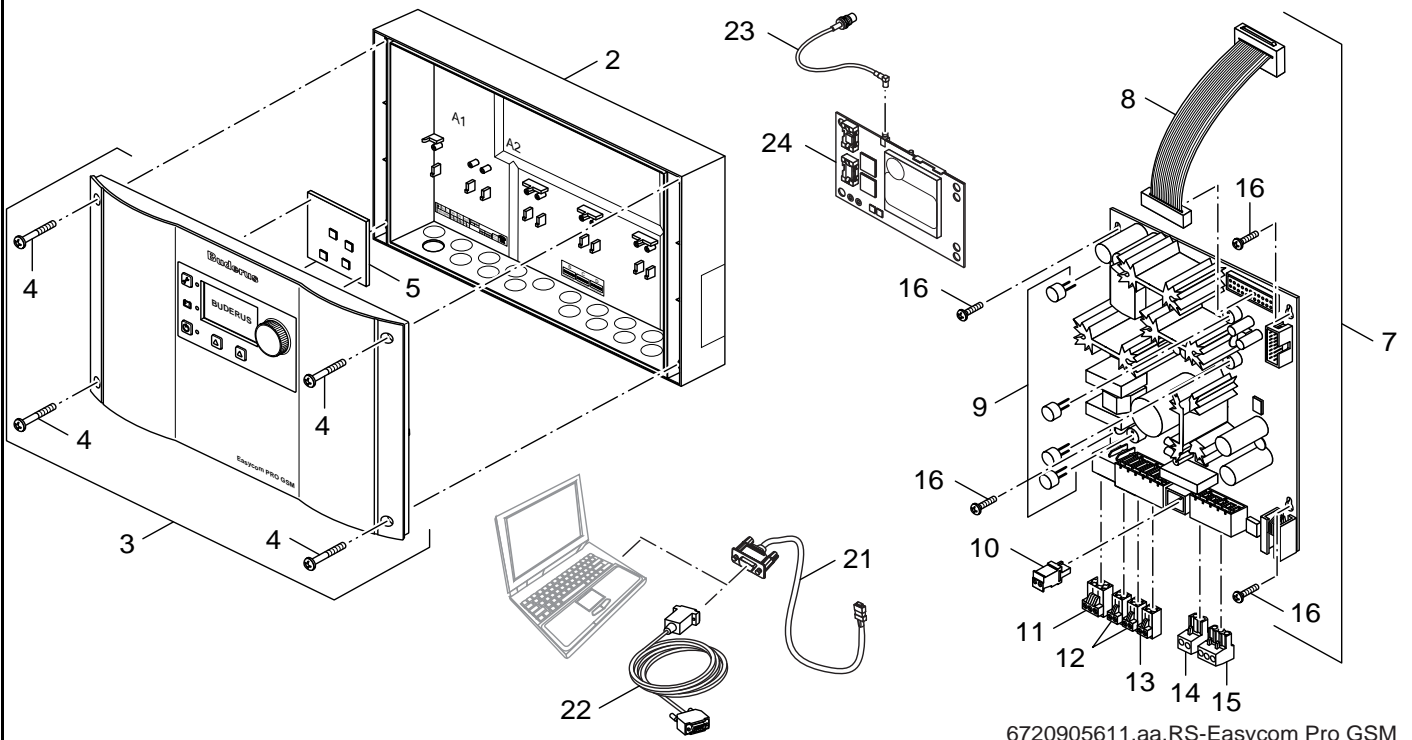
**Easycom PRO /-GSM**



**Ersatzteilliste**  
Spare parts list

**Liste des pièces de rechange**  
Lista parti di ricambio

**Onderdelenlijst**

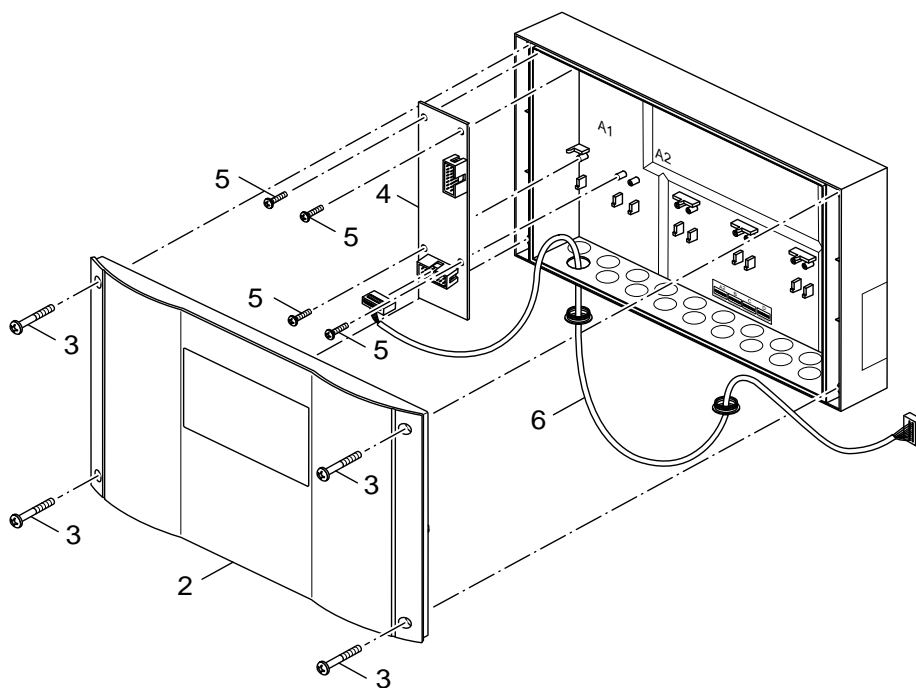


6720905611.aa.RS-Easycom Pro GSM

**1**  
Easycom Pro GSM  
Easycom Pro GSM  
Easycom Pro GSM  
Easycom Pro GSM  
**B** Easycom Pro GSM

**Easycom PRO /-GSM**





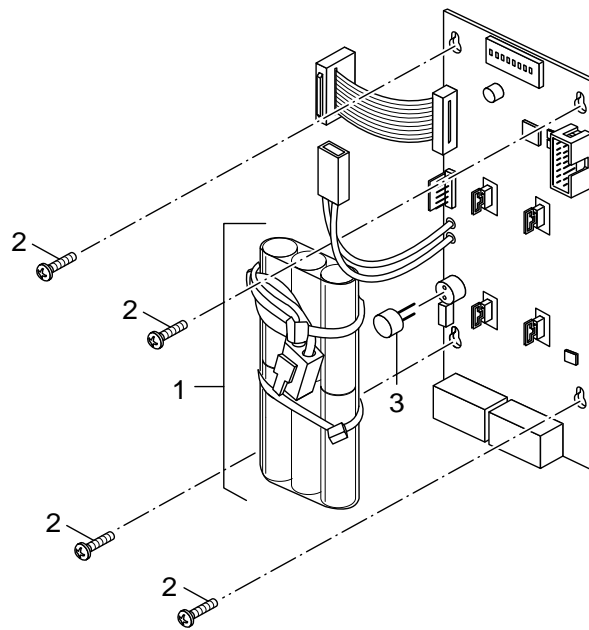
6720905623.aa.RS-Erweiterungsgehäuse

**2**

Easycom PRO Erweiterungsgehäuse  
Easycom PRO Extension housing  
Easycom PRO Carter  
Easycom PRO Involucro  
Easycom PRO behuizing

**Easycom PRO /-GSM**





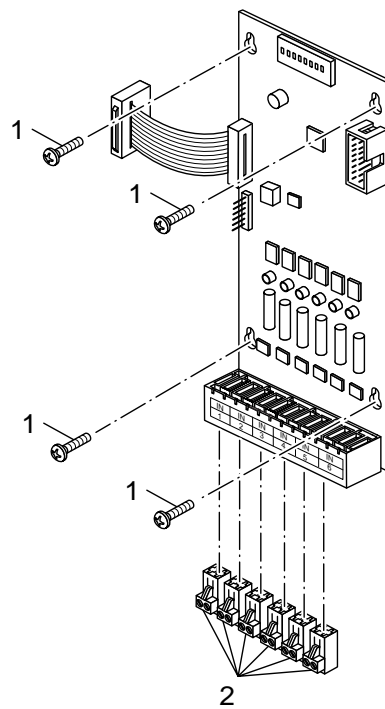
6720905619.aa.RS-Notstrommodul

**3**  
**A**

Easycom PRO Notstrommodul  
Easycom PRO Emergency power module  
Easycom PRO module courant de secours  
Easycom PRO mod. alimentazione'emergen.  
Easycom PRO noodstroommodule

**Easycom PRO /-GSM**





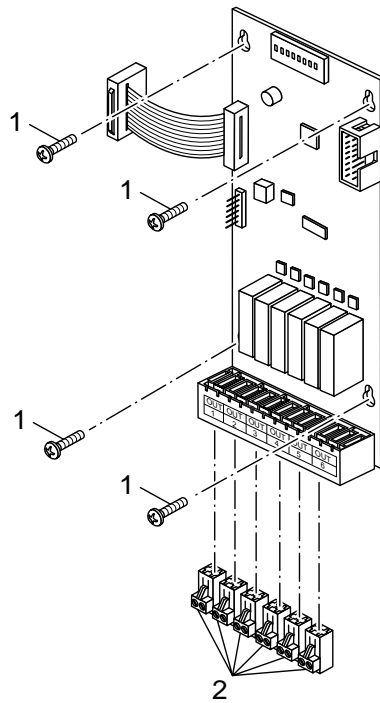
6720905622.aa.RS-Eingangsmodul

**3**  
**B**

Easycom PRO Eingangsmodul  
Easycom PRO Input module  
Easycom PRO module d'entrée  
Easycom PRO modulo d'entrata  
Easycom PRO ingangsmodule

**Easycom PRO /-GSM**





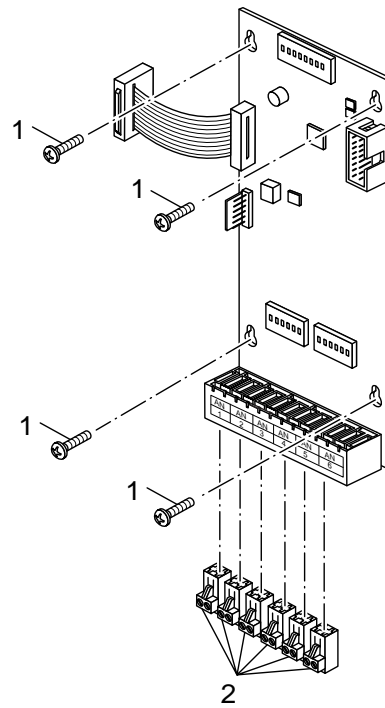
6720905621.aa.RS-Ausgangsmodul

**3**  
**C**

Easycom PRO Ausgangsmodul  
Easycom PRO output module  
Easycom PRO module de sortie  
Easycom PRO módulo de salida  
Easycom PRO modulo d'uscita

**Easycom PRO /-GSM**





6720905620.aa.RS-Analogmodul

**3**  
**D**

Easycom Web Analogmodul  
Easycom PRO Analog module  
Easycom PRO module analogique  
Easycom PRO módulo analógico  
Easycom PRO modulo analogico

**Easycom PRO /-GSM**



Übersetzungsliste List of translations		Liste des traductions Traduzione delle descrizioni		Vertalinglijst
Pos	Description	Denomination	Descrizione	Benaming
<b>1A</b>	<b>Element of construction</b>	<b>Groupe de construction</b>	<b>Gruppo di costruzione</b>	<b>Montagegroep</b>
2	Housing lower section Easycom PRO	Carter partie inférieure Easycom PRO	Involucro Parte inferiore Easycom Pro	behuizing, omkasting Onderdeel Easycom P
3	Housing upper part Easycom PRO	Carter partie supérieure Easycom PRO	Involucro Parte superiore Easycom Pro	behuizing, omkasting Bovendeel Easycom P
4	screws KB50x35/20 (Ejot-WN 1412) 4x	vis KB50x35/20 (Ejot-WN 1412) 4x	Vite KB50x35/20 (Ejot-WN 1412) 4x	Schroef KB50x35/20 (Ejot-WN 1412) 4x
7	Interface board Easycom PRO	Platine de raccordement Easycom PRO	Scheda elettronica Easycom PRO	printplaat Easycom PRO
8	connecting cable LPL/CPU	Conduite de raccordement LPL/CPU	Tubazione di collegamento LPL/CPU	Verbindingsleiding LPL/CPU
9	Set of fuses interface board	Set de fusibles platine de raccordement	Fusibile Scheda elettronica	Buissmeltveiligheid printplaat
10	connecting terminal 2-pol R5 pebble grey	Borne de connexion 2-pol R5 gris galet	Morsetto di collegamento 2-pol R5 grigio	afsluitklem 2-pol R5 kiezelgrijs
11	Connecting terminal 3-pol white	Borne de connexion 3- pôles blanc	Morsetto di collegamento 3-bipol. bianco	afsluitklem 3- polig wit
12	Connecting terminal 2-pin signal orange	Bornier de raccordement 2 pôles orange,	Morsetto di collegamento 2-pol arancione	afsluitklem 2-pol oranje
13	Connecting terminal 2-pin light blue	Bornier de raccordement 2 pôles bleu	Morsetto di collegamento 2-pol blu	afsluitklem 2-pol blauw
14	Connecting terminal 2-polig white	Borne de connexion 2- pôles blanc	Morsetto di collegamento 2-bipol. bianco	afsluitklem 2- polig wit
15	Connecting terminal 3-pol white	Borne de connexion	Morsetto di collegamento	Afsluitklem
16	screws KB 25x6 A3S (Ejot-Wn1412) 5x	vis KB 25x6 A3S (Ejot-Wn1412) 5x	Vite KB25x6 A3S (Ejot-Wn1412) 5x	Schroef KB25x6 A3S (Ejot-Wn1412) 5x
20	Connecting lead	Cable de raccordement	Cavo di collegamento	Aansluitkabel
21	Telephone connection cable Easycom DE	CABLE RACCORD. TELEPHONE RJ11 EASYCOM DE	Cavo di collegamento DE	aansluitkabel DE
22	Adapter AT	Raccord AT	Adattore AT	Adapter AT
23	Adapter CH	Raccord CH	Adattore CH	Adapter CH
24	Adapter RU	Raccord RU	Adattore RU	Adapter RU
25	Adapter FR	Raccord FR	Adattore FR	Adapter FR
30	Connection line PC-Easycom/Servicekey	Conduite de raccordement	Tubazione di collegamento	Verbindingsleiding Easycom-Servicekey
31	Adapter cable Easycom - Logamatic 2107	Câble Easycom-Logamatic 2107	Cavo adattamento Easycom-Logamatic 2107	Kabelgroep Easycom-Logamatic 2107
<b>1B</b>	<b>Element of construction</b>	<b>Groupe de construction</b>	<b>Gruppo di costruzione</b>	<b>Montagegroep</b>
2	Housing lower section Easycom PRO	Carter partie inférieure Easycom PRO	Involucro Parte inferiore Easycom Pro	behuizing, omkasting Onderdeel Easycom P
3	Housing upper part Easycom PRO	Carter partie supérieure Easycom PRO	Involucro Parte superiore Easycom Pro	behuizing, omkasting Bovendeel Easycom P
4	screws KB50x35/20 (Ejot-WN 1412) 4x	vis KB50x35/20 (Ejot-WN 1412) 4x	Vite KB50x35/20 (Ejot-WN 1412) 4x	Schroef KB50x35/20 (Ejot-WN 1412) 4x
5	Modem PCB Easycom PRO	Platine de modem Easycom PRO	Scheda elettronica Modem Easycom PRO	printplaat Modem Easycom PRO
7	Interface board Easycom PRO	Platine de raccordement Easycom PRO	Scheda elettronica Easycom PRO	printplaat Easycom PRO
8	connecting cable LPL/CPU	Conduite de raccordement LPL/CPU	Tubazione di collegamento LPL/CPU	Verbindingsleiding LPL/CPU
9	Set of fuses interface board	Set de fusibles platine de raccordement	Fusibile Scheda elettronica	Buissmeltveiligheid printplaat
10	connecting terminal 2-pol R5 pebble grey	Borne de connexion 2-pol R5 gris galet	Morsetto di collegamento 2-pol R5 grigio	afsluitklem 2-pol R5 kiezelgrijs
11	Connecting terminal 3-pol white	Borne de connexion 3- pôles blanc	Morsetto di collegamento 3-bipol. bianco	afsluitklem 3- polig wit
12	Connecting terminal 2-pin signal orange	Bornier de raccordement 2 pôles orange,	Morsetto di collegamento 2-pol arancione	afsluitklem 2-pol oranje
13	Connecting terminal 2-pin light blue	Bornier de raccordement 2 pôles bleu	Morsetto di collegamento 2-pol blu	afsluitklem 2-pol blauw
14	Connecting terminal 2-polig white	Borne de connexion 2- pôles blanc	Morsetto di collegamento 2-bipol. bianco	afsluitklem 2- polig wit
15	Connecting terminal 3-pol white	Borne de connexion	Morsetto di collegamento	Afsluitklem
16	screws KB 25x6 A3S (Ejot-Wn1412) 5x	vis KB 25x6 A3S (Ejot-Wn1412) 5x	Vite KB25x6 A3S (Ejot-Wn1412) 5x	Schroef KB25x6 A3S (Ejot-Wn1412) 5x
21	Connection line PC-Easycom/Servicekey	Conduite de raccordement	Tubazione di collegamento	Verbindingsleiding Easycom-Servicekey
22	Adapter cable Easycom - Logamatic 2107	Câble Easycom-Logamatic 2107	Cavo adattamento Easycom-Logamatic 2107	Kabelgroep Easycom-Logamatic 2107
23	Aerial conn cable Easycom per	Cable de raccordement Easycom PRO	Cavo di collegamento Easycom PRO	aansluitkabel Easycom PRO
24	GSM-unit TC35 Easycom PRO	GSM Circuit imprimé TC35 Easycom PRO	GSM Scheda elettronica TC35 Easycom PRO	GSM printplaat TC35 Easycom PRO
<b>2</b>	<b>Element of construction</b>	<b>Groupe de construction</b>	<b>Gruppo di costruzione</b>	<b>Montagegroep</b>
2	Housing lid extension module E-PRO	Couvercle de carter module	Involucro Parte superiore	behuizing, omkasting Bovendeel
3	screws KB50x35/20 (Ejot-WN 1412) 4x	vis KB50x35/20 (Ejot-WN 1412) 4x	Vite KB50x35/20 (Ejot-WN 1412) 4x	Schroef KB50x35/20 (Ejot-WN 1412) 4x
4	Connection board Easycom PRO	Platine de raccordement Easycom PRO	Scheda elettronica	printplaat
5	screws KB 25x6 A3S (Ejot-Wn1412) 5x	vis KB 25x6 A3S (Ejot-Wn1412) 5x	Vite KB25x6 A3S (Ejot-Wn1412) 5x	Schroef KB25x6 A3S (Ejot-Wn1412) 5x
6	Connection cable GG/EG	Câble de raccordement GG/EG	Tubazione di collegamento GG/EG	Verbindingsleiding GG/EG
<b>3A</b>	<b>Element of construction</b>	<b>Groupe de construction</b>	<b>Gruppo di costruzione</b>	<b>Montagegroep</b>
1	Replacement accu. emergency power	Accumulateur de secours		
2	screws KB 25x6 A3S (Ejot-Wn1412) 5x	vis KB 25x6 A3S (Ejot-Wn1412) 5x	Vite KB25x6 A3S (Ejot-Wn1412) 5x	Schroef KB25x6 A3S (Ejot-Wn1412) 5x
<b>3B</b>	<b>Element of construction</b>	<b>Groupe de construction</b>	<b>Gruppo di costruzione</b>	<b>Montagegroep</b>
1	screws KB 25x6 A3S (Ejot-Wn1412) 5x	vis KB 25x6 A3S (Ejot-Wn1412) 5x	Vite KB25x6 A3S (Ejot-Wn1412) 5x	Schroef KB25x6 A3S (Ejot-Wn1412) 5x
2	Connecting terminal 2-pin signal orange	Bornier de raccordement 2 pôles orange,	Morsetto di collegamento 2-pol arancione	afsluitklem 2-pol oranje
<b>3C</b>	<b>Element of construction</b>	<b>Groupe de construction</b>	<b>Gruppo di costruzione</b>	<b>Montagegroep</b>
1	screws KB 25x6 A3S (Ejot-Wn1412) 5x	vis KB 25x6 A3S (Ejot-Wn1412) 5x	Vite KB25x6 A3S (Ejot-Wn1412) 5x	Schroef KB25x6 A3S (Ejot-Wn1412) 5x
2	Connecting terminal 2-pin light blue	Bornier de raccordement 2 pôles bleu	Morsetto di collegamento 2-pol blu	afsluitklem 2-pol blauw



Gerätetypen Types of appliances	Types de chaudières Tipo apparecchi	Toesteltypen	
Gerät Appliance Chaudière Apparecchio Toestel	Bestell-Nr. Ordering no. Numero de commande n° d'ordine Bestelnummer	Land Country Pay Paese Land	Bemerkungen Remarks Remarques Osservazioni Opmerkingen
<b>EASYCOM PRO DE</b>	1021061	Deutschland	
<b>EASYCOM PRO GSM DE</b>	1021062	Deutschland	
<b>EASYCOM PRO GB</b>	63040471	England	
<b>EASYCOM PRO GSM GB</b>	63041299	England	
<b>EASYCOM PRO FR</b>	63040466	Frankreich	
<b>EASYCOM PRO GSM FR</b>	63041296	Frankreich	
<b>EASYCOM PRO GSM IT</b>	63041295	Italien	
<b>EASYCOM PRO IT</b>	63040465	Italien	
<b>EASYCOM PRO GSM LV</b>	63041300	Lettland	
<b>EASYCOM PRO LV</b>	63040472	Lettland	
<b>EASYCOM PRO GSM LU(FR)</b>	63041304	Luxemburg	
<b>EASYCOM PRO LU(DE)</b>	63040477	Luxemburg	
<b>EASYCOM PRO LU(FR)</b>	63040476	Luxemburg	
<b>EASYCOM PRO GSM PL</b>	63041302	Polen	
<b>EASYCOM PRO PL</b>	63040474	Polen	
<b>EASYCOM PRO GSM RU</b>	63041294	Russland	
<b>EASYCOM PRO RU</b>	63040464	Russland	
<b>EASYCOM PRO CH(DE)</b>	63040469	Schweiz	
<b>EASYCOM PRO CH(FR)</b>	63040468	Schweiz	
<b>EASYCOM PRO CH(IT)</b>	63040470	Schweiz	
<b>EASYCOM PRO GSM CH(FR)</b>	63041297	Schweiz	
<b>EASYCOM PRO GSM CH(IT)</b>	63041298	Schweiz	

Gerätetypen Types of appliances	Types de chaudières Tipo apparecchi	Toesteltypen	
Gerät Appliance Chaudière Apparecchio Toestel	Bestell-Nr. Ordering no. Numero de commande n° d'ordine Bestelnummer	Land Country Pay Paese Land	Bemerkungen Remarks Remarques Osservazioni Opmerkingen
<b>EASYCOM PRO CZ</b>	63040473	Tschechien	
<b>EASYCOM PRO GSM CZ</b>	63041301	Tschechien	
<b>EASYCOM PRO GSM HU</b>	63041303	Ungarn	
<b>EASYCOM PRO HU</b>	63040475	Ungarn	
<b>EASYCOM PRO AT</b>	63040467	Österreich	
<b>EASYCOM PRO ANALOGMODUL</b>	63030828		name plate
<b>EASYCOM PRO EINGANGSMODUL</b>	63030826		name plate
<b>EASYCOM PRO NOTSTROMMODU</b>	63030829		name plate
<b>ERWEITRUNGSGEHÄUSE PRO</b>	63030830		name plate
<b>EASYCOM PRO AUSGANGSMODUL</b>	63030827		name plate





Bosch Thermotechnik GmbH  
Sophienstraße 30-32  
D-35576 Wetzlar  
[www.buderus.de](http://www.buderus.de)

**Buderus**