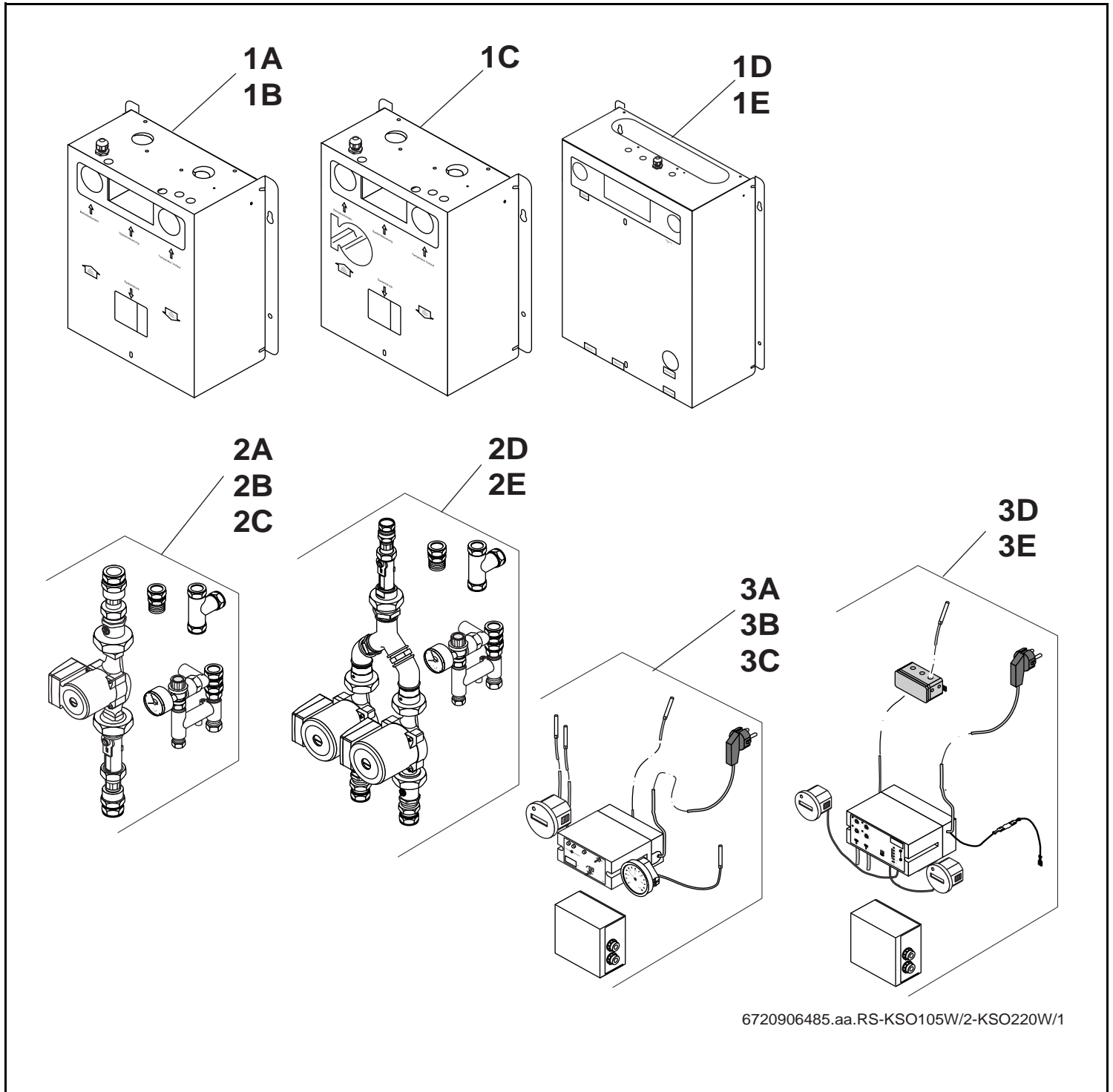


# KS0105W/2 - KS0220W/1



# Buderus



### Wichtige Hinweise

- Ersatzteile dürfen nur von einem zugelassenen Installateur eingebaut werden!
- Im Anhang finden Sie:
  - die Übersetzungen aller verwendeten Teilebezeichnungen
  - eine Übersicht der Gerätetypen und Länder, für die diese Ersatzteilliste gilt.

### Important notes

- The spare parts may only be installed by an approved installer!
- In the appendix you will find:
  - a list of translations of the names of all parts used
  - a list of the models and countries to which this spare parts list applies.

### Indications importantes

- L'installation des pièces de rechange doit être effectuée par un professionnel qualifié!
- Veuillez trouver en annexe:
  - les traductions de toutes les désignations des pièces utilisées
  - une vue globale des types de chaudières et des pays pour lesquels la présente liste des pièces de rechange est valable.

### Informações importantes

- Peças de substituição só podem ser montadas por um técnico credenciado!
- Em anexo encontra:
  - as traduções das designações de todas as peças utilizadas.
  - lista dos aparelhos e países para os quais esta lista de peças de substituição é válida.

### Avvertenze importanti

- Le parti di ricambio possono essere montate esclusivamente da personale qualificato ed in possesso dei requisiti tecnico-professionali!
- In appendice sono reperibili:
  - traduzione di ogni descrizione relativa alle varie parti di ricambio
  - elenco di sigle e codici, corrispondente ai vari paesi di destinazione.

### Indicaciones importantes

- Los repuestos solamente deben ser montados por los servicios técnicos oficiales de la marca!
- En el anexo podrá encontrar:
  - la traducción de todas las denominaciones de piezas empleadas
  - una relación de los tipos de aparato y países en los que se aplica esta lista de repuestos.

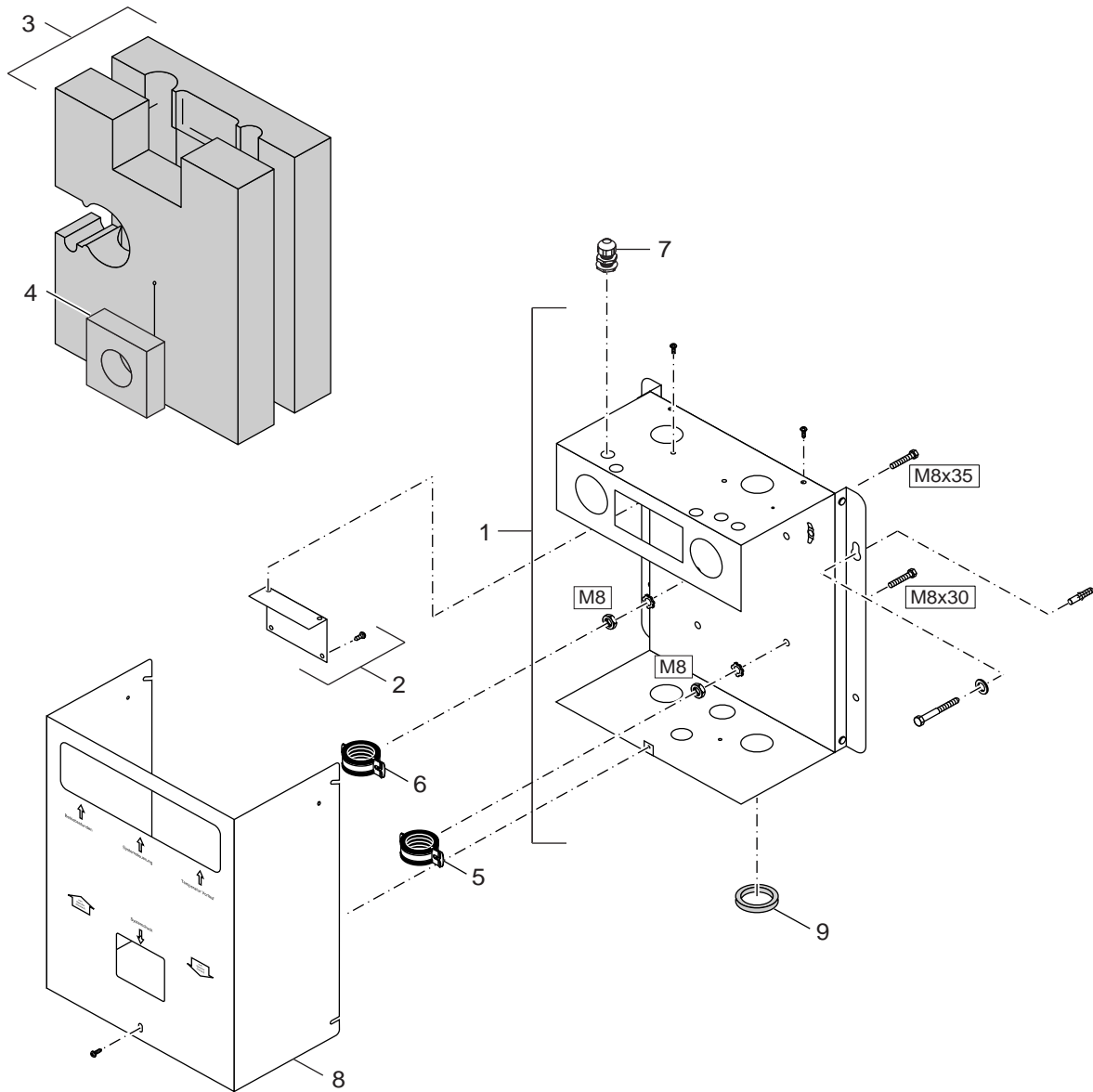
### Belangrijke aanwijzing

- Onderdelen mogen alleen door een erkend installateur worden vervangen!
- In de bijlage vindt u:
  - de vertalingen van de gebruikte onderdelentekeningen
  - een overzicht van toesteltypen en de landen waarvoor deze onderdelenlijst bedoeld is.

### Önemli Bilgiler

- Yedek parçalar sadece yetkili tesisatçılar tarafından monte edilebilir!
- Aşağıdaki bilgileri ekli olarak bulabilirsiniz:
  - Tüm kullanılan parça tanımlarının tercümelemleri
  - Bu yedek parça listesinin geçerli olduğu tüm cihaz çeşitleri ve ülkelerin özeti.

Ersatzteilliste  
Spare parts list



6720906486.aa.RS-KS0105W/2 Gehäuse

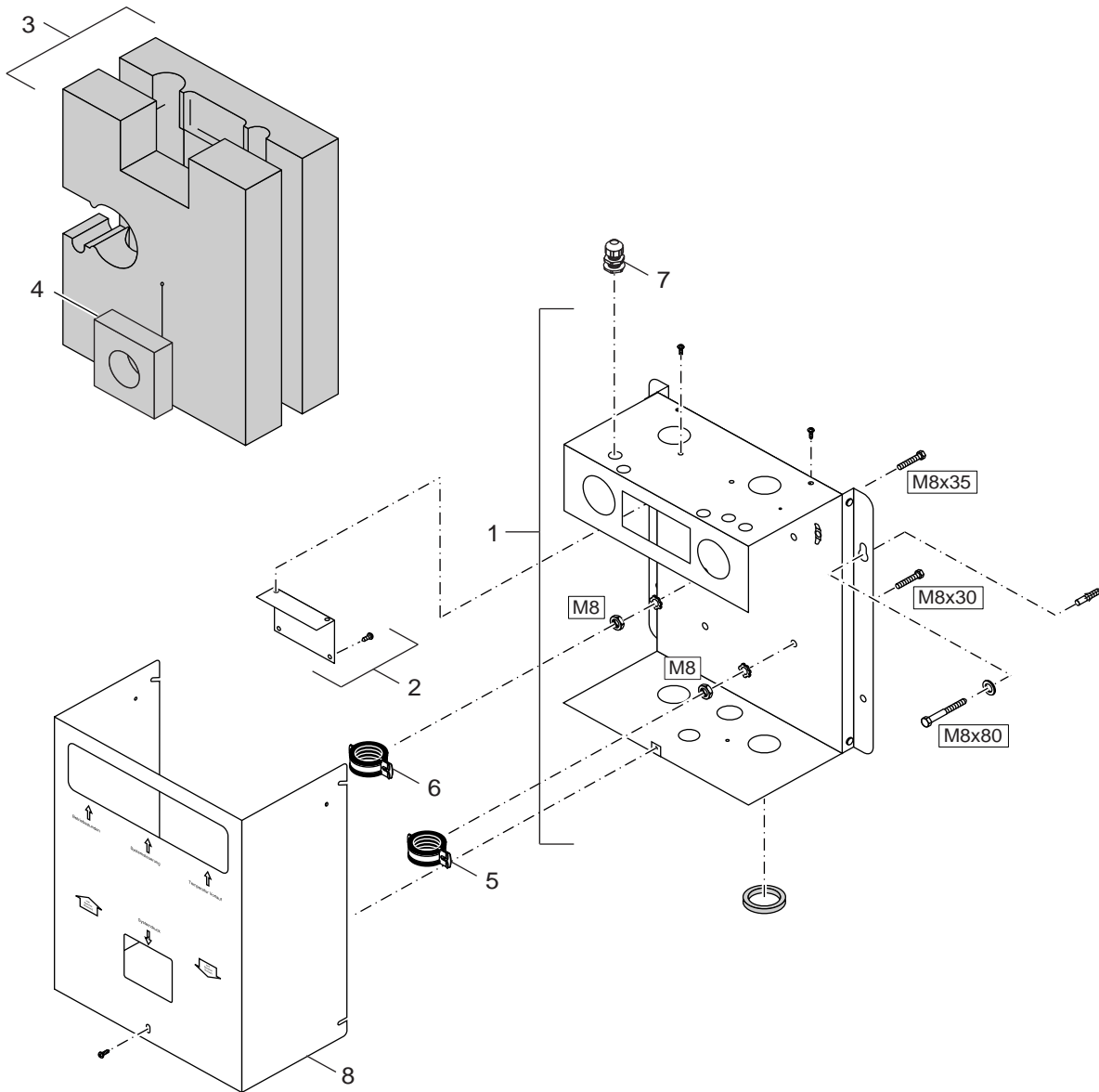
**1**  
**A**

Gehäuse KS0105W/2  
casing KS0105W/2

**KS0105W/2 - KS0220W/1**



Ersatzteilliste  
Spare parts list



6720906489.aa.RS-KS0110W/1 Gehäuse

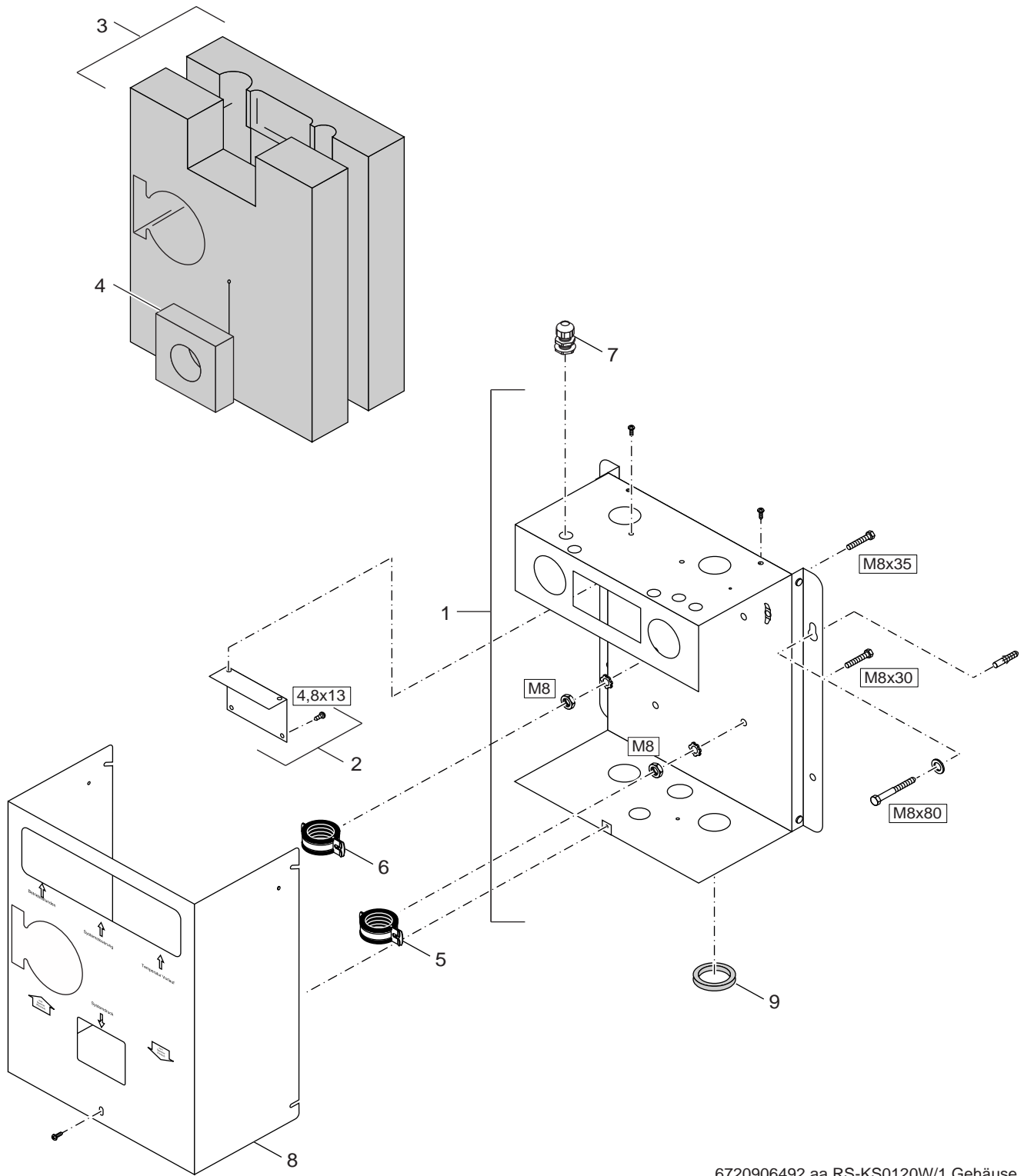
**1**  
Gehäuse KS0110W/1  
casing KS0110W/1

**KS0105W/2 - KS0220W/1**

**B**



**Ersatzteilliste**  
**Spare parts list**



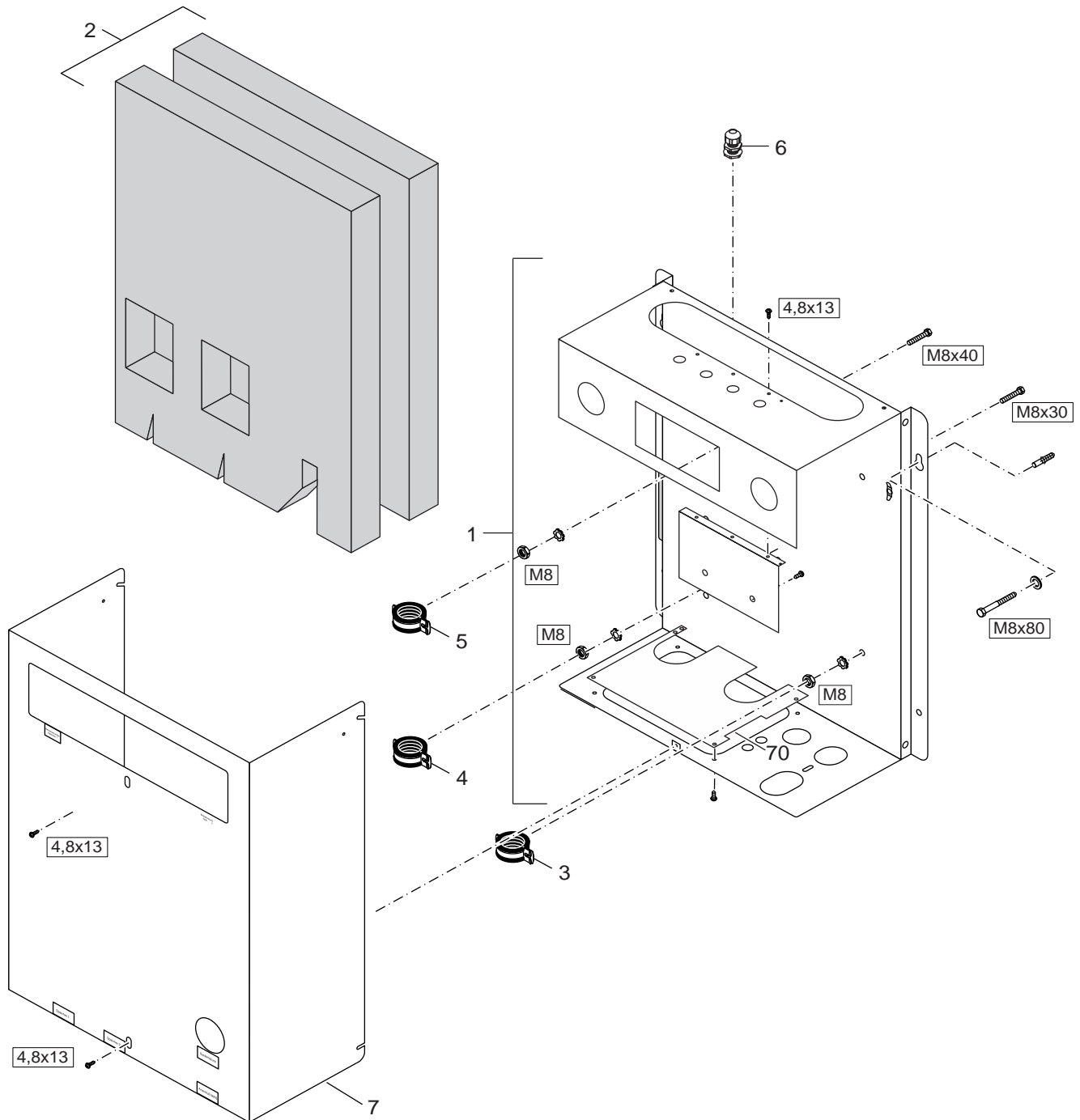
6720906492.aa.RS-KS0120W/1 Gehäuse

**1**  
**C**  
Gehäuse KS0120W/1  
casing KS0120W/1

**KS0105W/2 - KS0220W/1**



**Ersatzteilliste**  
**Spare parts list**



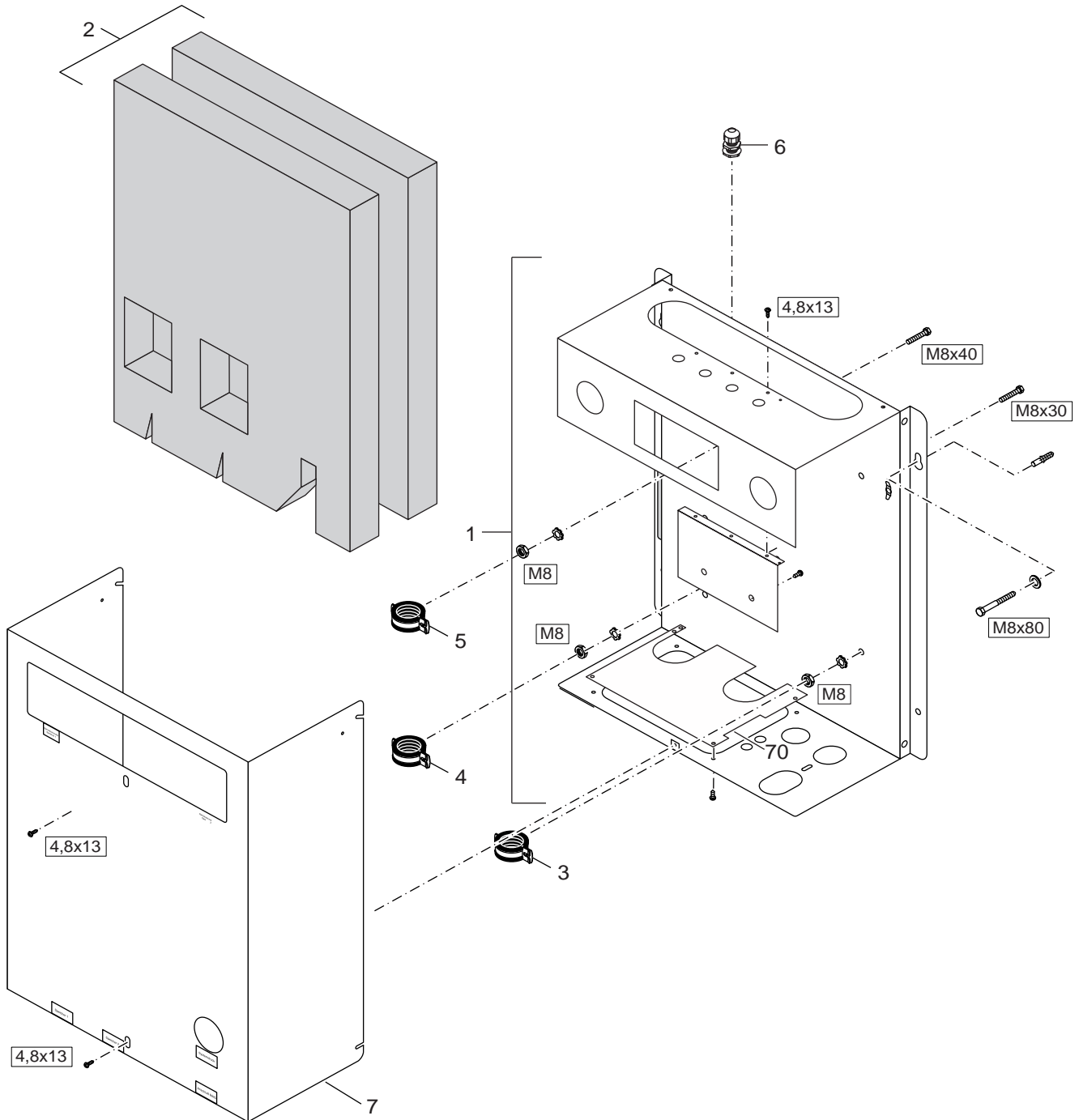
6720906495.aa.RS-KS0212W/1 Gehäuse

**1**  
**D**  
Gehäuse KS0212W/1  
casing KS0212W/1

**KS0105W/2 - KS0220W/1**



**Ersatzteilliste**  
**Spare parts list**



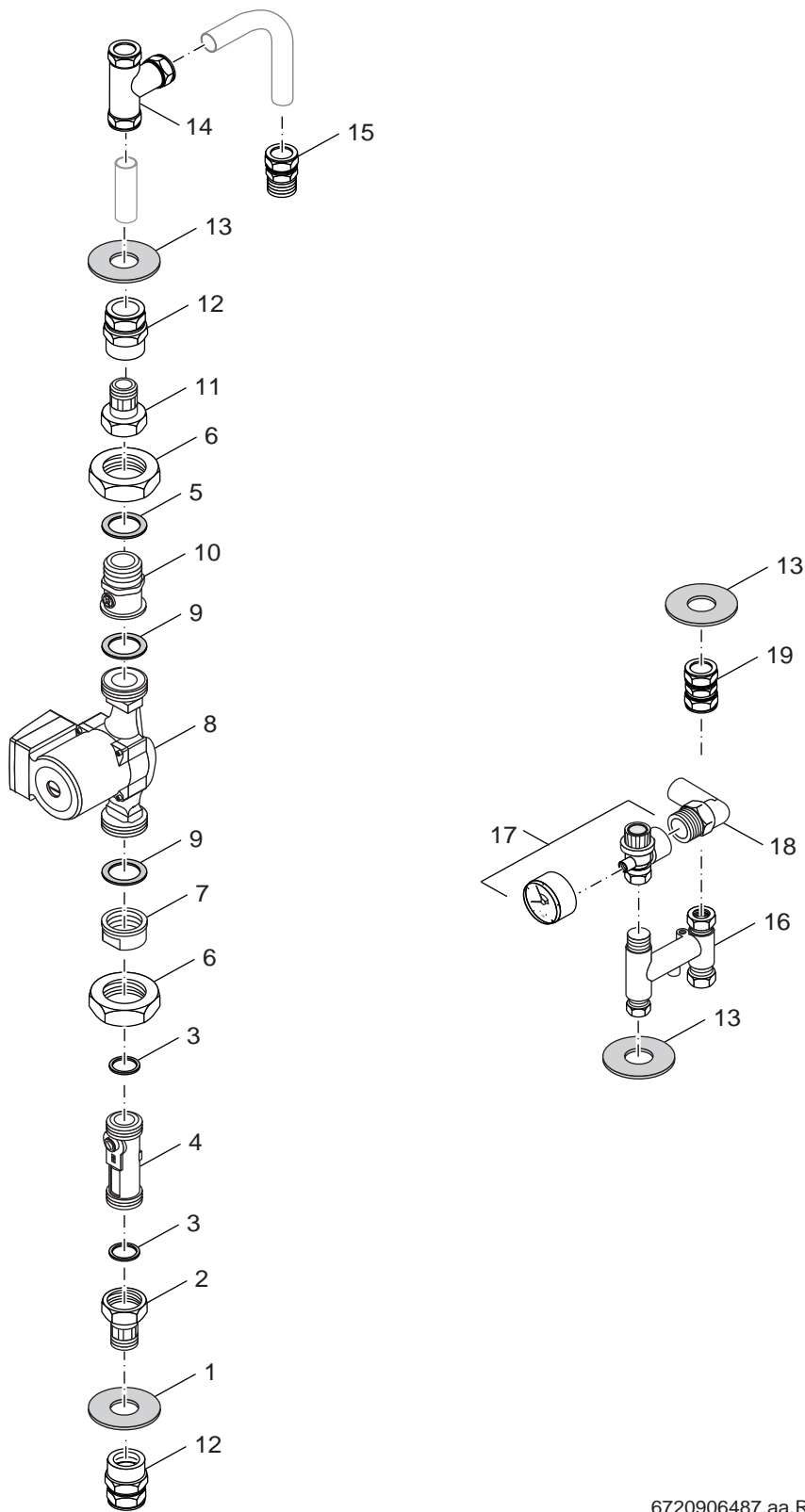
6720906498.aa.RS-KS0220W/1 Gehäuse

**1**  
**E**  
 Gehäuse KS0220W/1  
 casing KS0220W/1

**KS0105W/2 - KS0220W/1**



**Ersatzteilliste**  
**Spare parts list**



6720906487.aa.RS-KS0105W/2 Pumpengruppe

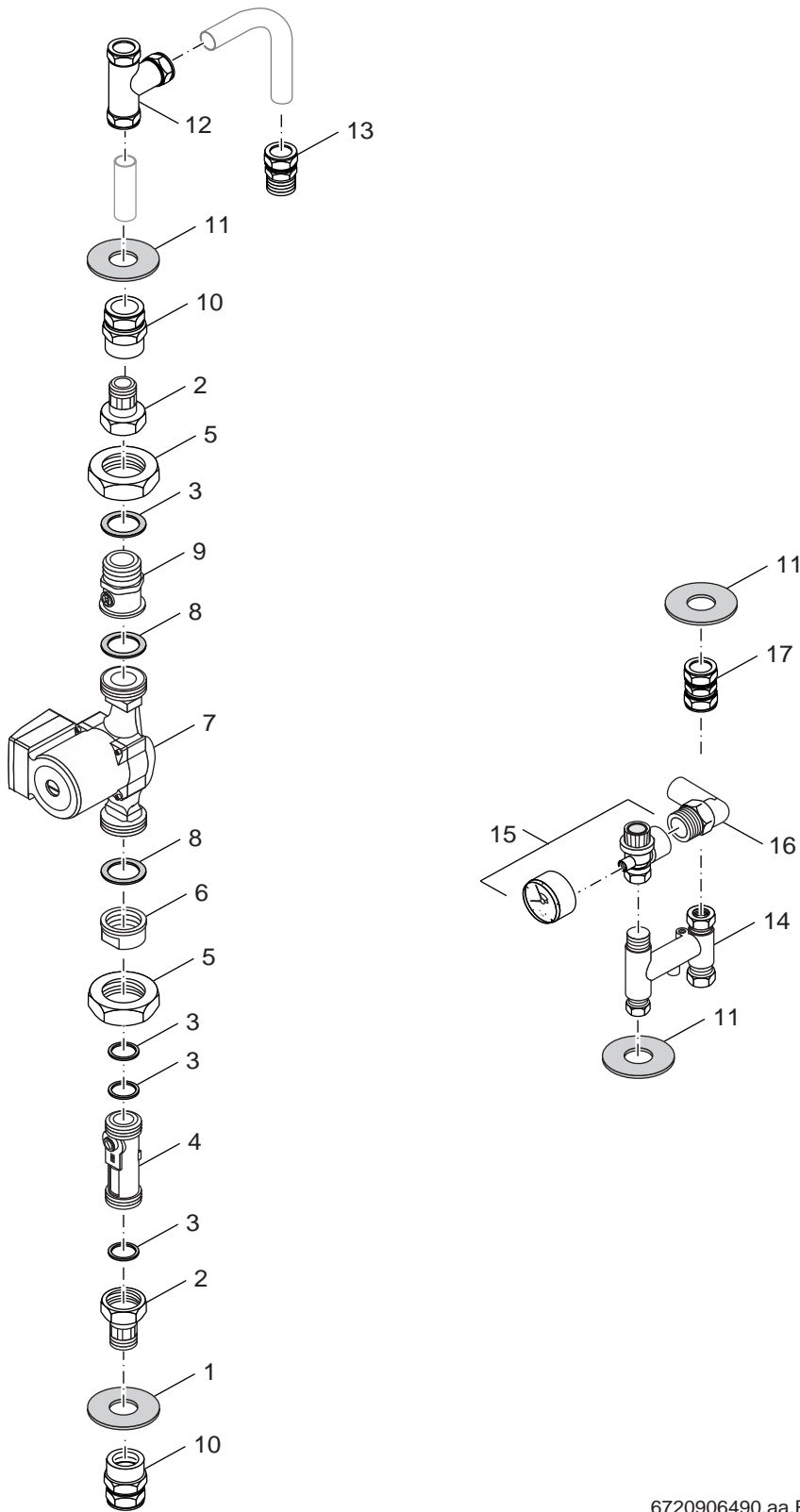
**2**  
**A**

Pumpengruppe KS0105W/2  
 pump set KS0105W/2

**KS0105W/2 - KS0220W/1**



**Ersatzteilliste**  
**Spare parts list**



6720906490.aa.RS-KS0110W/1 Pumpengruppe

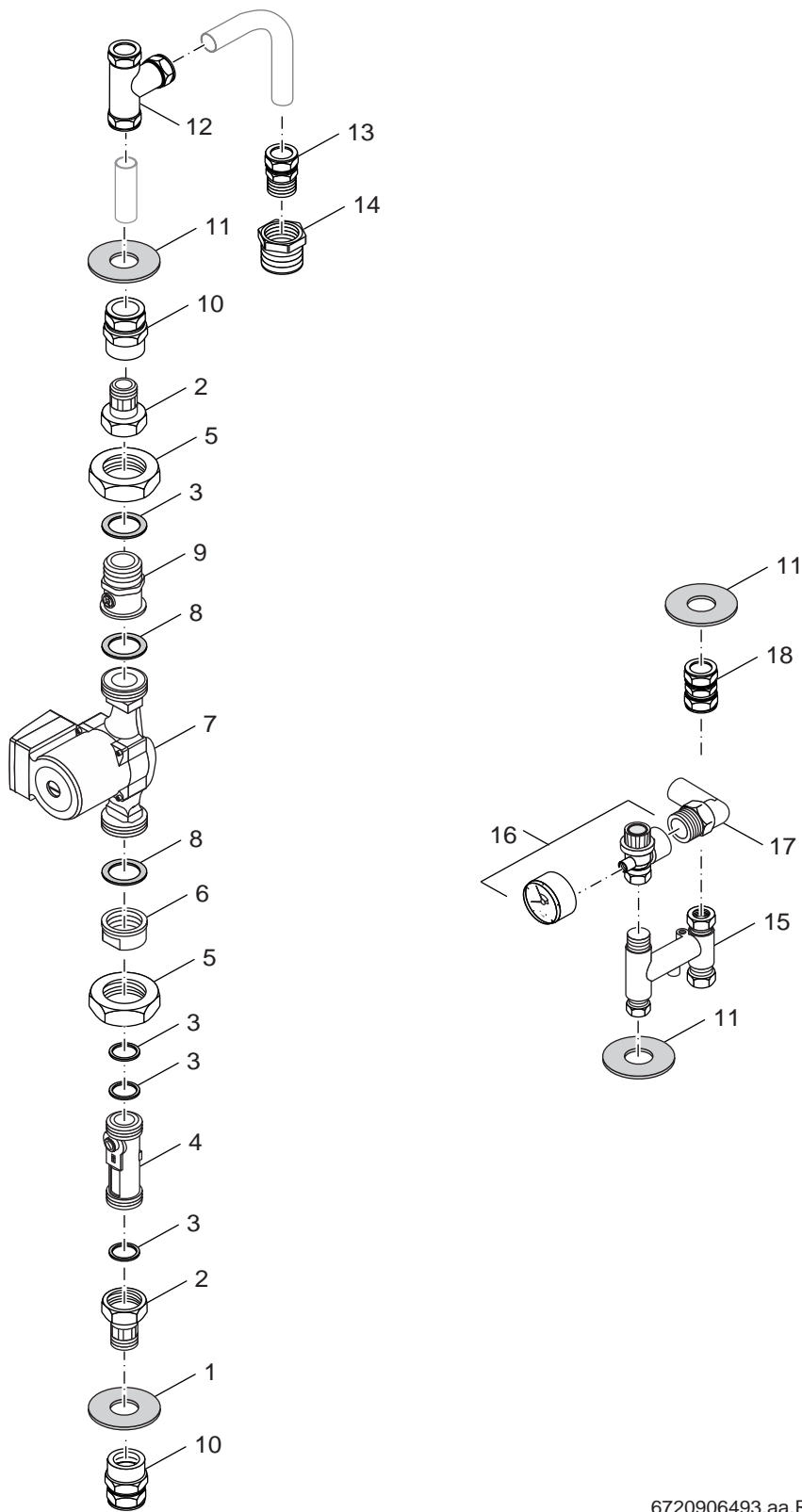
**2**  
**B**

Pumpengruppe KS0110W/1  
pump set KS0110W/1

**KS0105W/2 - KS0220W/1**



**Ersatzteilliste**  
**Spare parts list**



6720906493.aa.RS-KS0120W/1 Pumpengruppe

**2**  
**C**

Pumpengruppe KS0120W/1  
pump set KS0120W/1

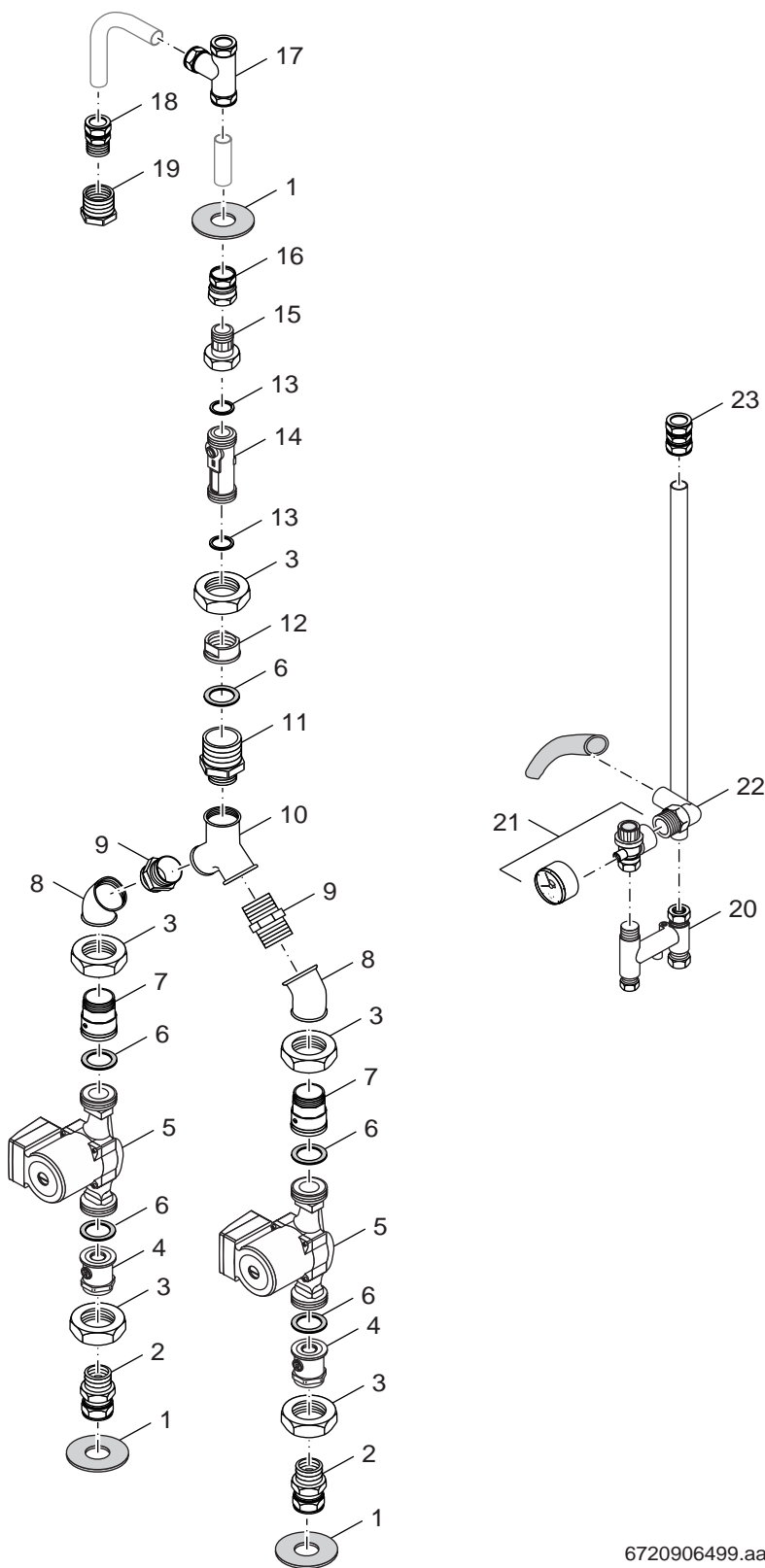
**KS0105W/2 - KS0220W/1**







**Ersatzteilliste**  
**Spare parts list**



6720906499.aa.RS-KS0220W/1 Pumpengruppe

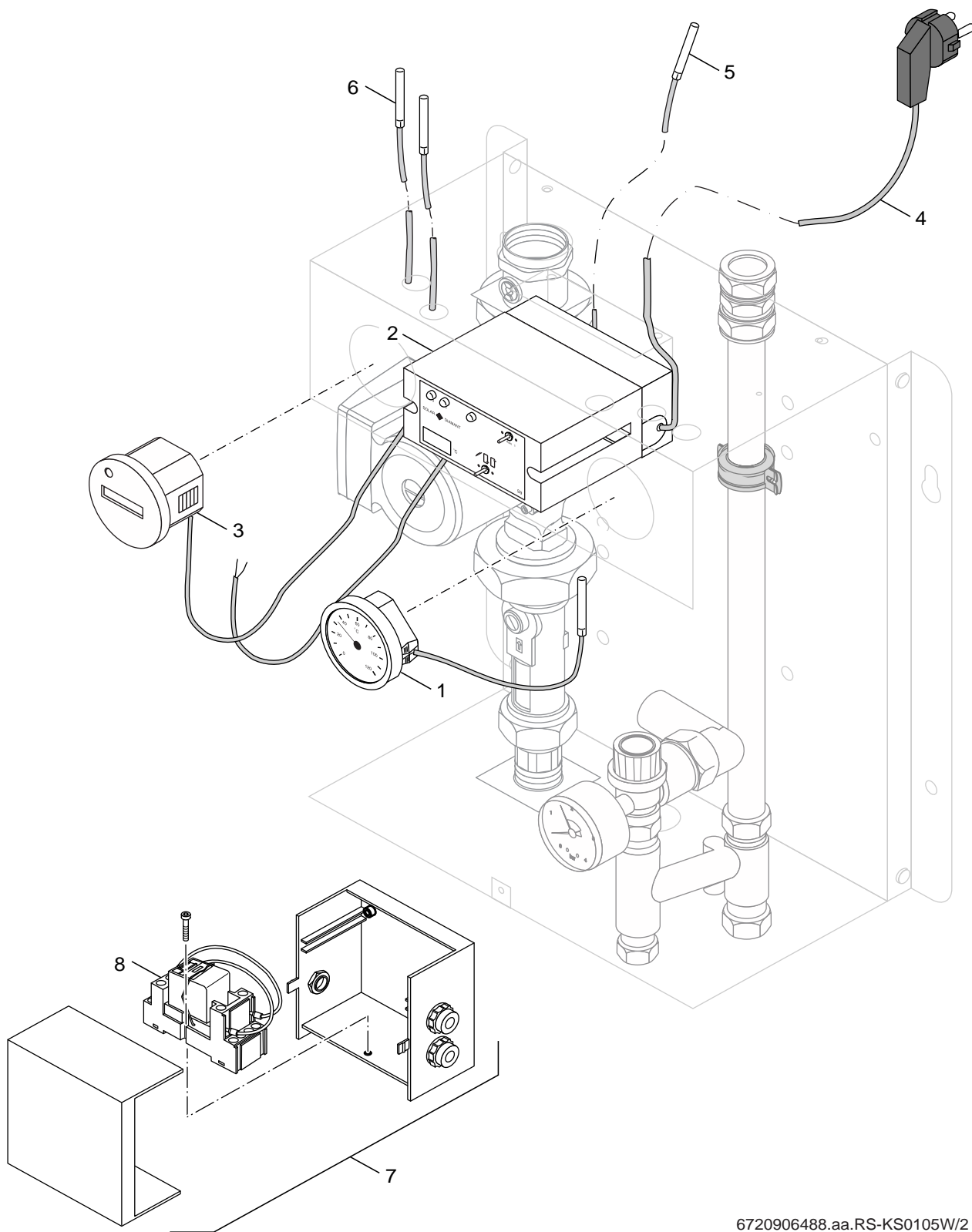
**2**  
**E**

Pumpengruppe KS0220W/1  
pump set KS0212W/1

**KS0105W/2 - KS0220W/1**



Ersatzteilliste  
Spare parts list



6720906488.aa.RS-KS0105W/2 Steuerung

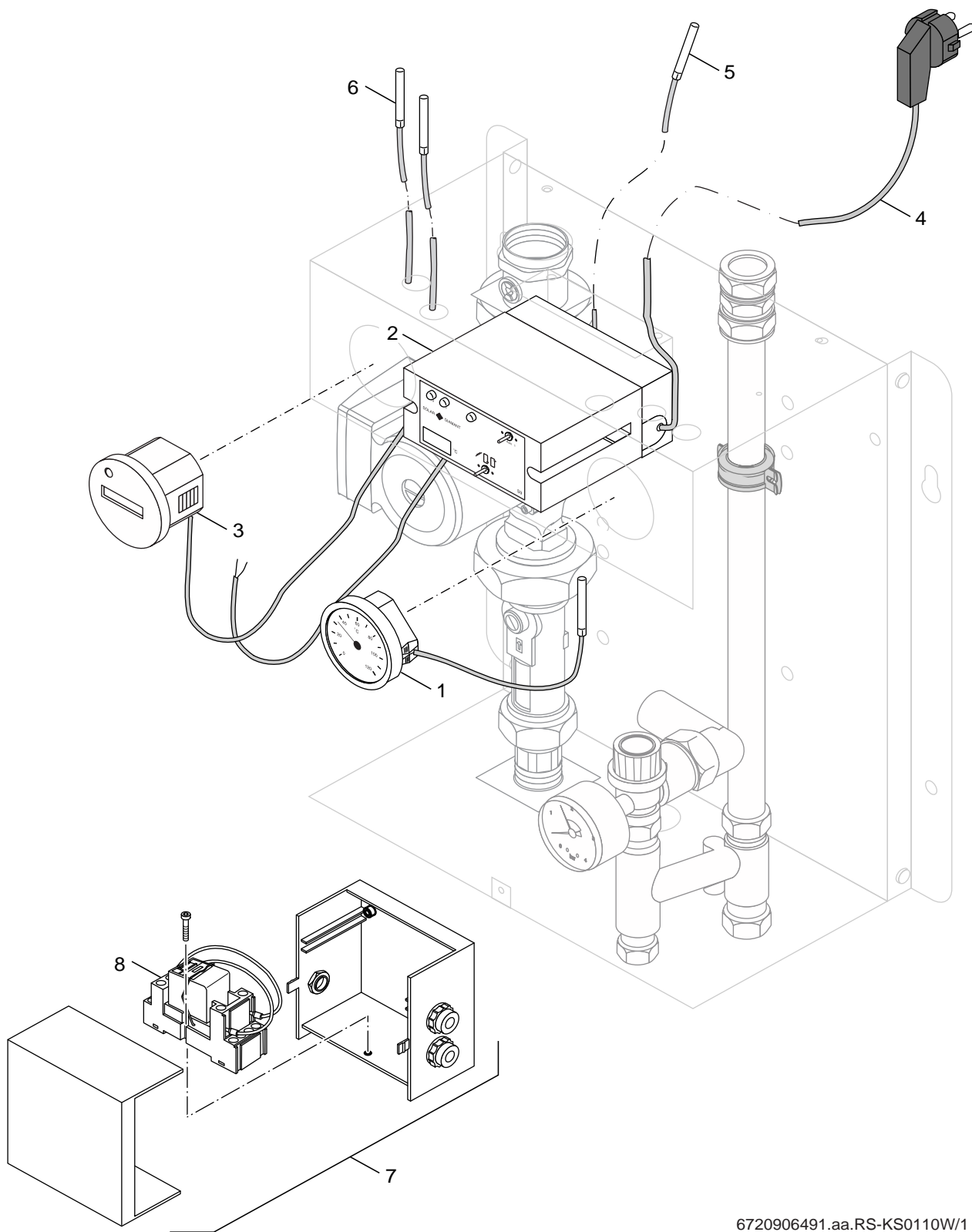
**3**  
**A**

Steuerung KS0105W/2  
control unit KS0105W/2

**KS0105W/2 - KS0220W/1**



Ersatzteilliste  
Spare parts list



6720906491.aa.RS-KS0110W/1 Steuerung

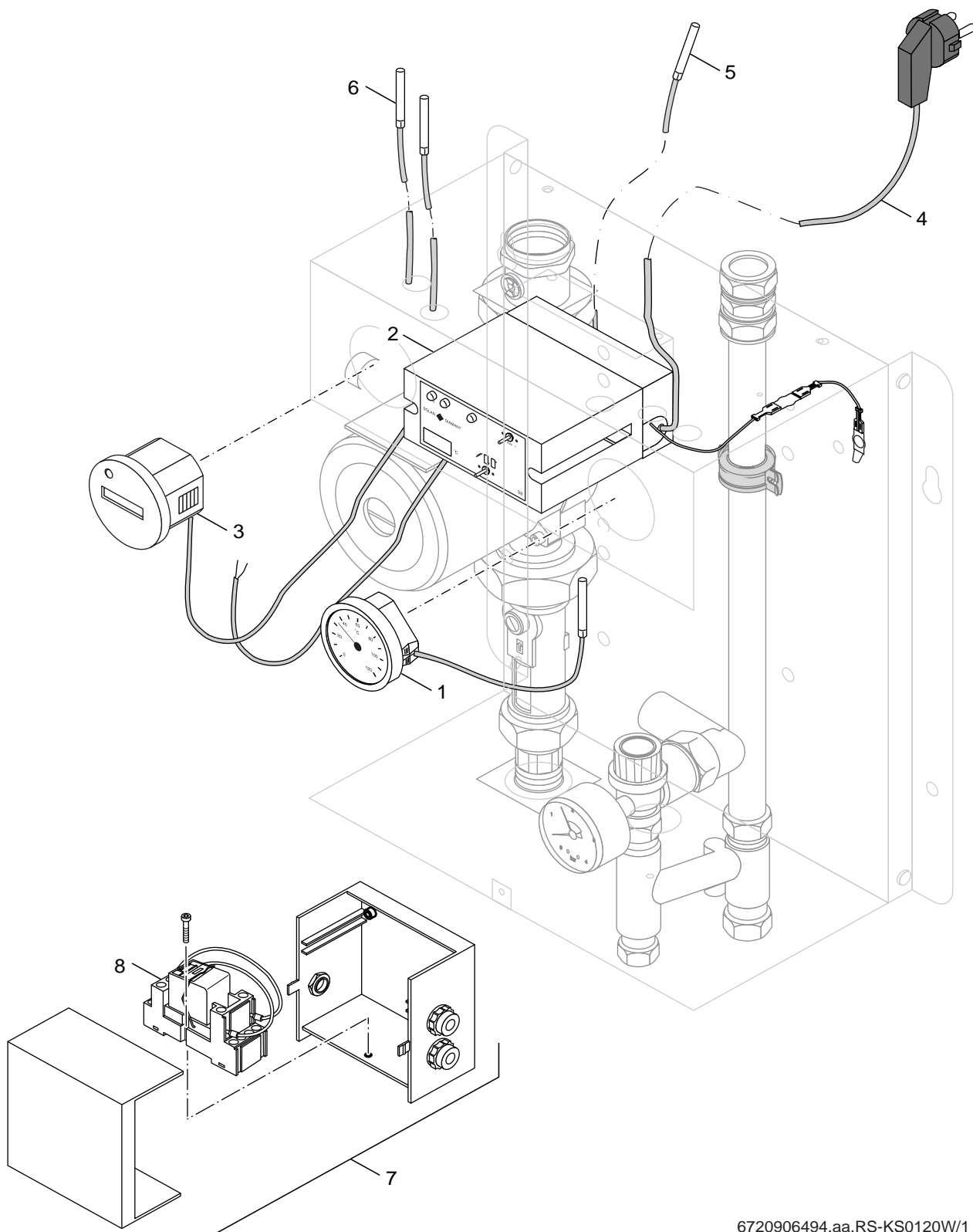
**3**  
**B**

Steuerung KS0110W/1  
control unit KS0110W/1

**KS0105W/2 - KS0220W/1**



**Ersatzteilliste**  
**Spare parts list**



6720906494.aa.RS-KS0120W/1 Steuerung

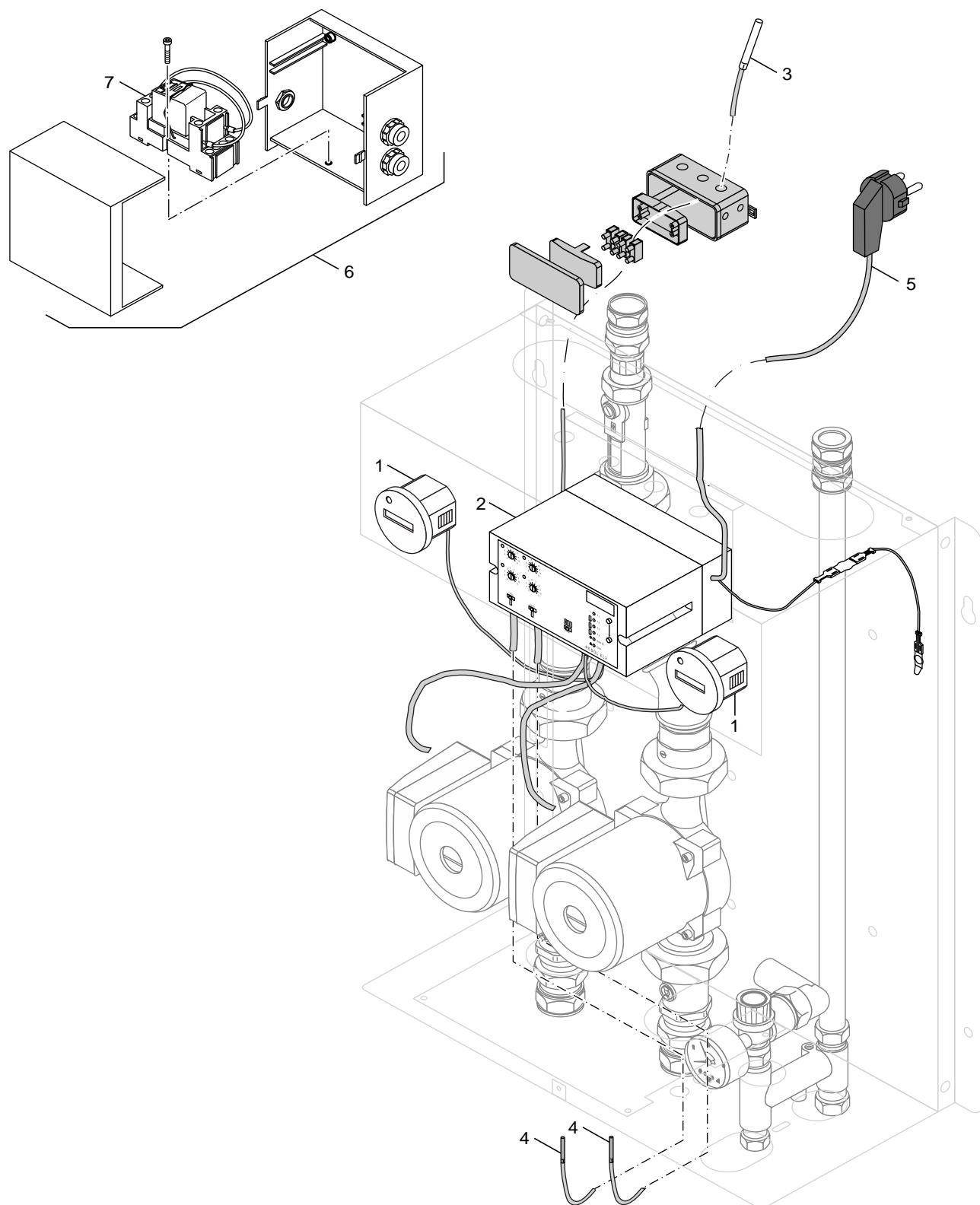
**3**  
**C**

Steuerung KS0120W/1  
 control unit KS0120W/1

**KS0105W/2 - KS0220W/1**



Ersatzteilliste  
Spare parts list



6720906497.aa.RS-KS0212W/1 Steuerung

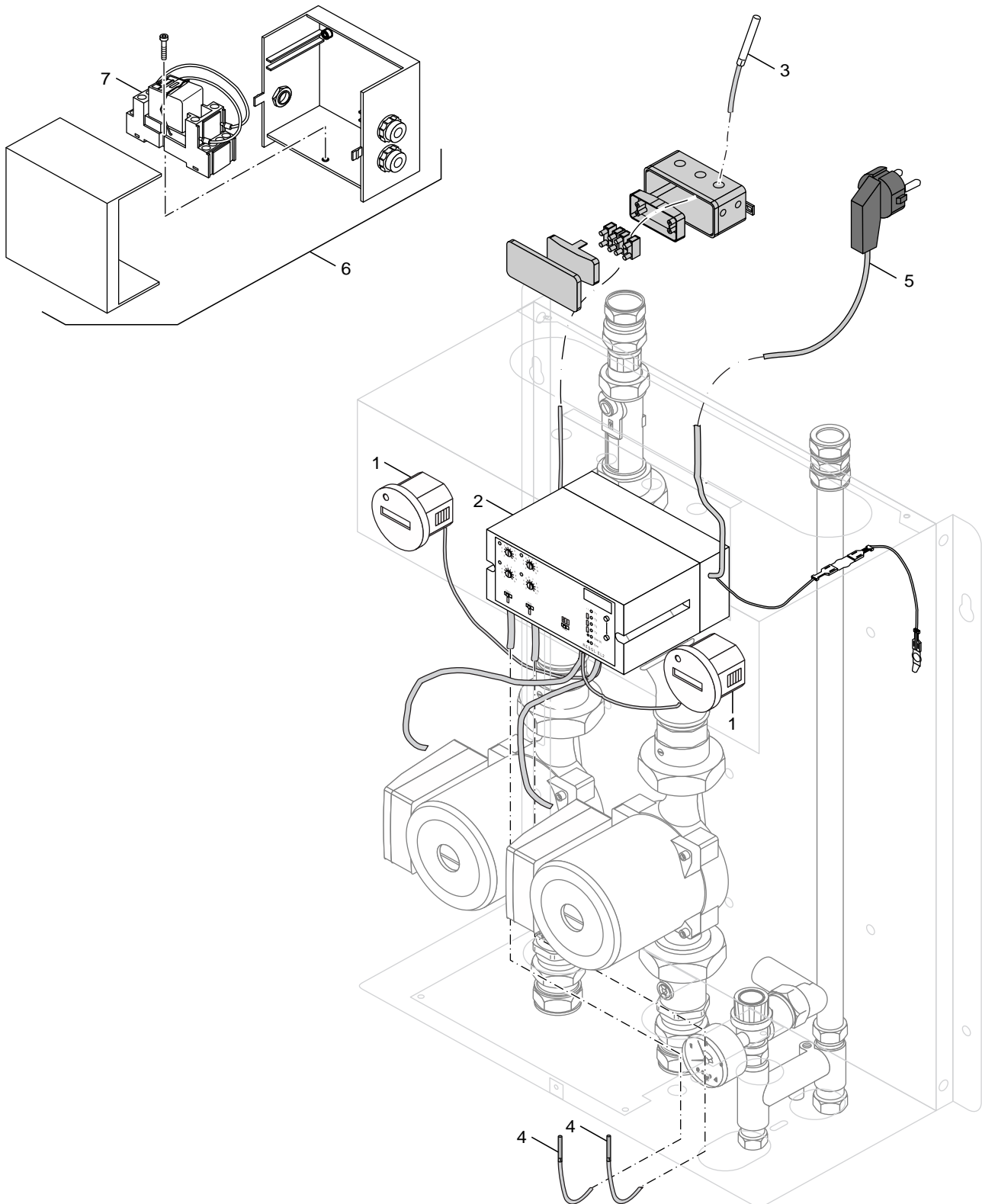
**3**  
**D**

Steuerung KS022W1  
control unit KS0212W/1

**KS0105W/2 - KS0220W/1**



**Ersatzteilliste**  
**Spare parts list**



6720906500.aa.RS-KS0220W/1 Steuerung

**3**  
**E**

Steuerung KS0220W/1  
control unit KS0220W/1

**KS0105W/2 - KS0220W/1**



**Übersetzungsliste**  
**List of translations**

Pos	Description
<b>1A Element of construction</b>	
1	Base plate KS/KD 1/
2	Holder for Control KR 0104
3	Thermal insulation KS W/1 Solar kit
4	Thermal insulation KS/KD 1/5-1/20
5	Clip 251 DN20-23
6	Clip DN 32-35
7	Nipple PG9
8	Hood KS/KD 1/ RAL5015 labelled
9	Bush SR1701 TPG
<b>1B Element of construction</b>	
1	Base plate KS/KD 1/
2	Holder for Control KR 0104
3	Thermal insulation KS W/1 Solar kit
4	Thermal insulation KS/KD 1/5-1/20
5	Clip 251 DN20-23
6	Clip DN 32-35
7	Nipple PG9
8	Hood KS/KD 1/ RAL5015 labelled
9	Bush SR1701 TPG
<b>1C Element of construction</b>	
1	Base plate KS/KD 1/
2	Holder for Control KR 0104
3	Thermal insulation KS W/1 Solar kit
4	Thermal insulation KS/KD 1/5-1/20
5	Clip 251 DN20-23
6	Clip DN 32-35
7	Nipple PG9
8	Hood KS 0120
9	Bush SR1701 TPG
<b>1D Element of construction</b>	
1	Base plate KS/KD 2/
2	Thermal insulation KS/KD W/2 Solar kit
3	Clip 251 DN20-23
4	Clip DN 32-35
5	Clip 251 DN40-43 kit à 10 Unit
6	Nipple PG9
7	Hood KS/KD 2 / RAL5015
<b>1E Element of construction</b>	
1	Base plate KS/KD 2/
2	Thermal insulation KS/KD W/2 Solar kit
3	Clip 251 DN20-23
4	Clip DN 32-35
5	Clip 251 DN40-43 kit à 10 Unit
6	Nipple PG9
7	Hood KS/KD 2 / RAL5015
<b>2A Element of construction</b>	
1	Gasket KS/KD D14x46x2 EPDM, kit 10 pc.
2	Screw connection 1/2" water meter
3	Gasket DIN7603 24x18 CU, kit à 10 Piece
4	Taco-Setter G3/4 2-8l/min 23-1238
5	Sealing ring DIN7603 24X30 CU
6	Union nut 1 1/2"
7	Coupling supports 3/4" flat roof D45x23
8	Pump UPS25-40 180mm Ltg.2800 9h
9	Gasket D 32x44x2 EPDM
10	Gravity brake SBO21 PN6 R1"-R1 1/2"

**Übersetzungsliste**  
**List of translations**

Pos	Description
11	Screw connection 3/4"x1/2" water meter
12	Clamping ring screw connection straight
13	Gasket KS/KD D46x22x2 EPDM, kit 10 pc.
14	Clamp ring Tee 3x18
15	Clamping ring screw connection straight
16	Distributor KS/KD 1/5 MS
17	Safety valve 3 bar 1/2" MSV
18	Bush angle WES 19/R
19	Clamping ring screw connection straight
<b>2B</b>	<b>Element of construction</b>
1	Gasket KS/KD D14x46x2 EPDM, kit 10 pc.
2	Screw connection 3/4" water meter
3	Sealing ring DIN7603 24X30 CU
4	Taco-Setter G1xG1 4-15l/min 23-1300
5	Union nut 1 1/2"
6	Coupling supports 1" flat roof D45x23 MS
7	Pump Grundfos UPS 25/60 MK3 180mm
8	Gasket D 32x44x2 EPDM
9	Gravity brake SBO21 PN6 R1"-R1 1/2"
10	Clamping ring screw connection straight
11	Gasket KS/KD D46x22x2 EPDM, kit 10 pc.
12	Clamp ring Tee 3x22 3x clamp
13	Clamping ring screw connection straight
14	Distributor KS/KD 1/ MS
15	Safety valve 3 bar 1/2" MSV
16	Bush angle WES 19/R
17	Clamping ring screw connection straight
<b>2C</b>	<b>Element of construction</b>
1	Gasket KS/KD D14x46x2 EPDM, kit 10 pc.
2	Screw connection 3/4" water meter
3	Sealing ring DIN7603 24X30 CU
4	Taco-Setter G1xG1 8-30l/min DN20
5	Union nut 1 1/2"
6	Coupling supports 1" flat roof D45x23 MS
7	Pump UPS 25-80,180 Universal
8	Gasket D 32x44x2 EPDM
9	Gravity brake SBO21 PN6 R1"-R1 1/2"
10	Clamping ring screw connection straight
11	Gasket KS/KD D46x22x2 EPDM, kit 10 pc.
12	Clamp ring Tee 3x22 3x clamp
13	Clamping ring screw connection straight
14	Reducing piece 1"x3/4" MS
15	Distributor KS/KD 1/ MS
16	Safety valve 3 bar 1/2" MSV
17	Bush angle WES 19/R
18	Clamping ring screw connection straight
<b>2D</b>	<b>Element of construction</b>
1	Gasket KS/KD D46x22x2 EPDM, kit 10 pc.
2	Clamping ring screw connection ger
3	Union nut 1 1/2"
4	Ball shut-off equipment with Flange
5	Pump Grundfos UPS 25/60 MK3 180mm
6	Gasket D 32x44x2 EPDM
7	Gravity brake SBO21 PN6 R1"-R1 1/2"
8	Angle 45° 1" SW
9	Double nipple 1" SW
10	Y branch 1" inside

**Übersetzungsliste**  
**List of translations**

Pos	Description
11	Reducing piece 1 1/2"x1" SW
12	Coupling supports 1" flat roof D45x23 MS
13	Sealing ring DIN7603 24X30 CU
14	Taco-Setter G1xG1 4-15l/min 23-1300
15	Screw connection 3/4" water meter
16	Clamping ring screw connection straight
17	Clamp ring Tee 3x22 3x clamp
18	Clamping ring screw connection straight
19	Distributor KS/KD 1/ MS
20	Safety valve 3 bar 1/2" MSV
21	Bush angle WES 19/R
22	Clamping ring screw connection straight
<b>2E</b>	<b>Element of construction</b>
1	Gasket KS/KD D14x46x2 EPDM, kit 10 pc.
2	Clamping ring screw connection ger
3	Union nut 1 1/2"
4	Ball shut-off equipment with Flange
5	Pump UPS 25-80,180 Universal
6	Gasket D 32x44x2 EPDM
7	Gravity brake SBO21 PN6 R1"-R1 1/2"
8	Angle 45° 1" SW
9	Double nipple 1" SW
10	Y branch 1" inside
11	Reducing piece 1 1/2"x1" SW
12	Coupling supports 1" flat roof D45x23 MS
13	Sealing ring DIN7603 24X30 CU
14	Taco-Setter G1xG1 8-30l/min DN20
15	Screw connection 3/4" water meter
16	Clamping ring screw connection straight
17	Clamp ring Tee 3x22 3x clamp
18	Clamping ring screw connection straight
19	Reducing piece 1"x3/4" MS
20	Distributor KS/KD 1/ MS
21	Safety valve 3 bar 1/2" MSV
22	Bush angle WES 19/R
23	Clamping ring screw connection straight
<b>3A</b>	<b>Element of construction</b>
1	Thermometer Ifc-052 Krf 120Grad C
2	Controller KR0106
3	Hours run meter UWZ 52KE
4	Network lead 1500mm
5	Collector sensor RD 6,0 20k 2500lang
6	temperature sensor RD9,7 3100mm 10k
7	Changeover relay for cooler circuit
8	Relay ZG450 730
	Nipple PG9
<b>3B</b>	<b>Element of construction</b>
1	Thermometer Ifc-052 Krf 120Grad C
2	Controller KR0106
3	Hours run meter UWZ 52KE
4	Network lead 1500mm
5	Collector sensor RD 6,0 20k 2500lang
6	temperature sensor RD9,7 3100mm 10k
7	Changeover relay for cooler circuit
8	Relay ZG450 730
	Nipple PG9







Bosch Thermotechnik GmbH  
Sophienstraße 30-32  
D-35576 Wetzlar  
[www.buderus.de](http://www.buderus.de)

**Buderus**