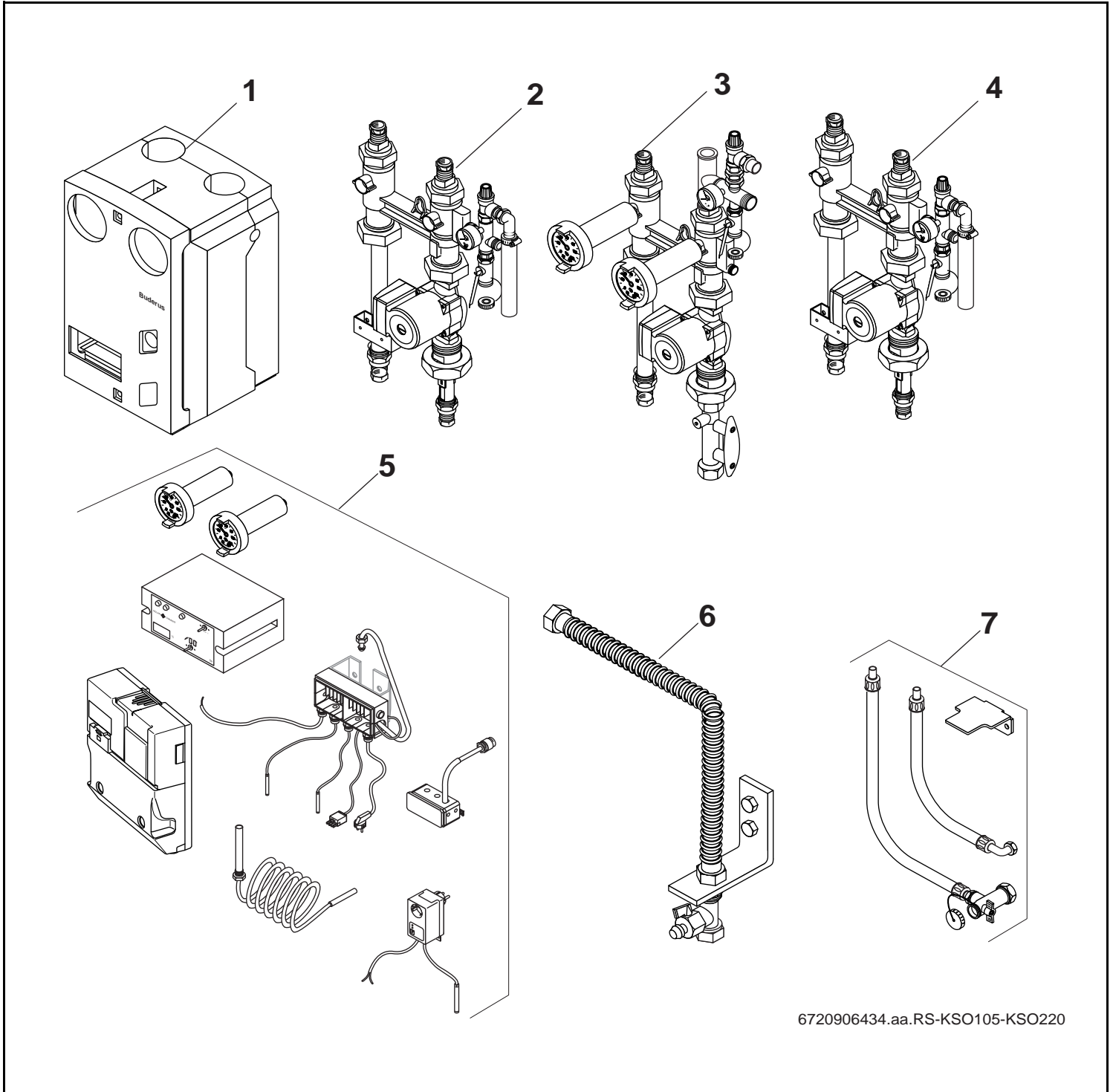


# KS0105-KS0220 bis 04\_07



6720906434.aa.RS-KS0105-KS0220

# Buderus



### Wichtige Hinweise

- Ersatzteile dürfen nur von einem zugelassenen Installateur eingebaut werden!
- Im Anhang finden Sie:
  - die Übersetzungen aller verwendeten Teilebezeichnungen
  - eine Übersicht der Gerätetypen und Länder, für die diese Ersatzteilliste gilt.

### Important notes

- The spare parts may only be installed by an approved installer!
- In the appendix you will find:
  - a list of translations of the names of all parts used
  - a list of the models and countries to which this spare parts list applies.

### Indications importantes

- L'installation des pièces de rechange doit être effectuée par un professionnel qualifié!
- Veuillez trouver en annexe:
  - les traductions de toutes les désignations des pièces utilisées
  - une vue globale des types de chaudières et des pays pour lesquels la présente liste des pièces de rechange est valable.

### Informações importantes

- Peças de substituição só podem ser montadas por um técnico credenciado!
- Em anexo encontra:
  - as traduções das designações de todas as peças utilizadas.
  - lista dos aparelhos e países para os quais esta lista de peças de substituição é válida.

### Avvertenze importanti

- Le parti di ricambio possono essere montate esclusivamente da personale qualificato ed in possesso dei requisiti tecnico-professionali!
- In appendice sono reperibili:
  - traduzione di ogni descrizione relativa alle varie parti di ricambio
  - elenco di sigle e codici, corrispondente ai vari paesi di destinazione.

### Indicaciones importantes

- Los repuestos solamente deben ser montados por los servicios técnicos oficiales de la marca!
- En el anexo podrá encontrar:
  - la traducción de todas las denominaciones de piezas empleadas
  - una relación de los tipos de aparato y países en los que se aplica esta lista de repuestos.

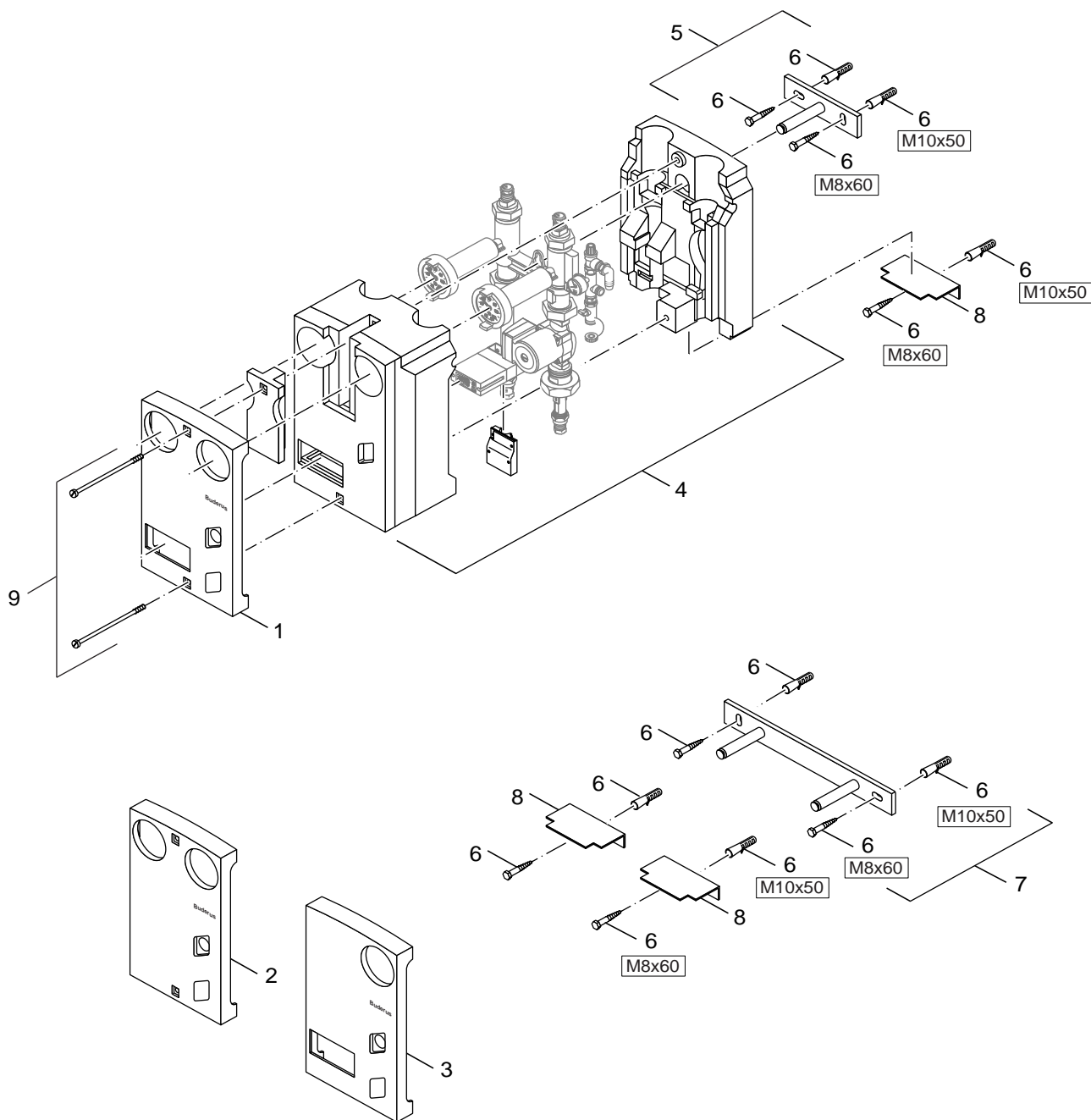
### Belangrijke aanwijzing

- Onderdelen mogen alleen door een erkend installateur worden vervangen!
- In de bijlage vindt u:
  - de vertalingen van de gebruikte onderdelentekeningen
  - een overzicht van toesteltypen en de landen waarvoor deze onderdelenlijst bedoeld is.

### Önemli Bilgiler

- Yedek parçalar sadece yetkili tesisatçılar tarafından monte edilebilir!
- Aşağıdaki bilgileri ekli olarak bulabilirsiniz:
  - Tüm kullanılan parça tanımlarının tercümelemleri
  - Bu yedek parça listesinin geçerli olduğu tüm cihaz çeşitleri ve ülkelerin özeti.

Ersatzteilliste  
Spare parts list



6720906435.aa.RS-Gehäuse KS0105-KS0220

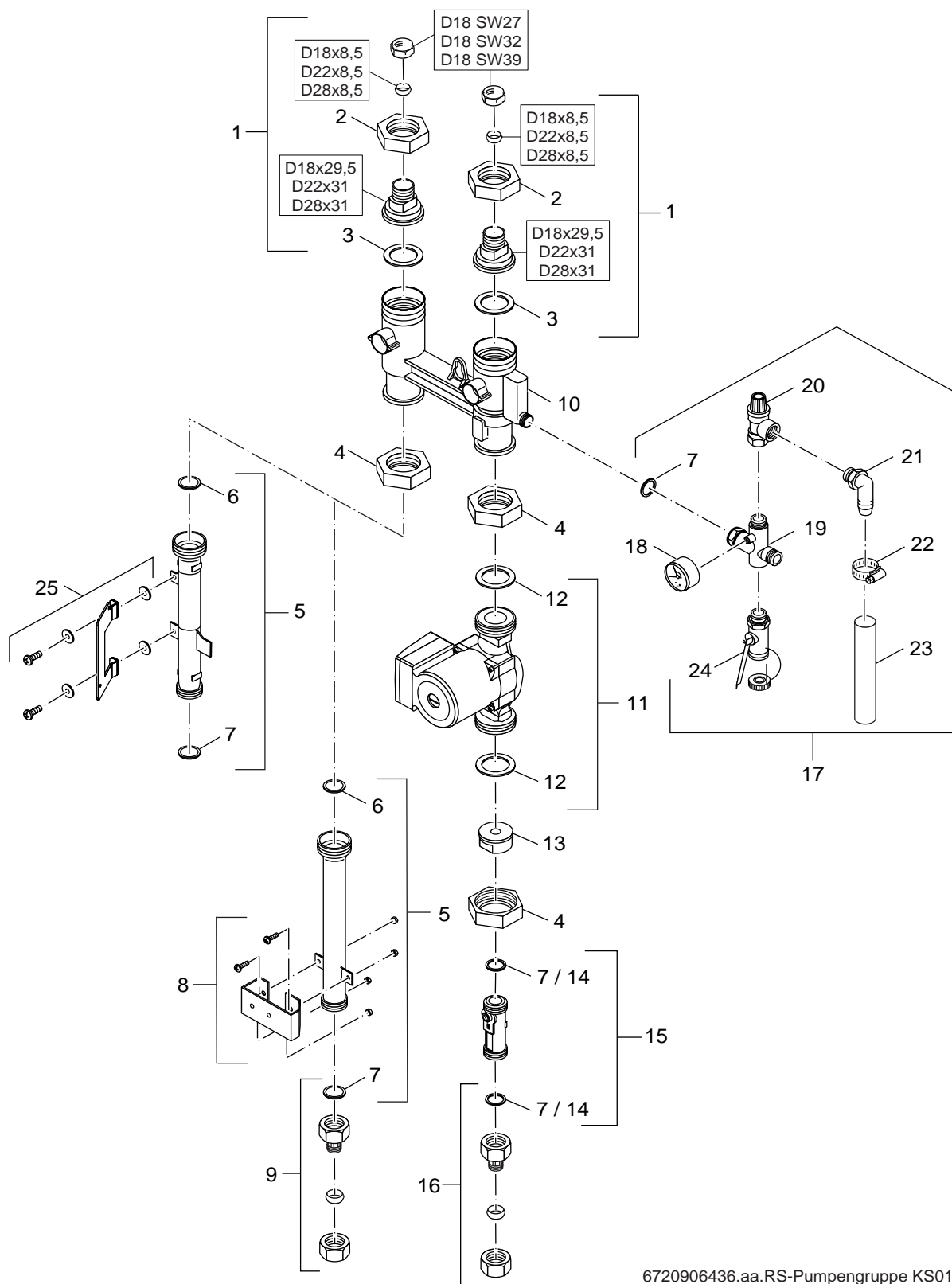
Gehäuse KS 0105-0220  
casing KS 0105-220

**465043**

**1**



**Ersatzteilliste**  
**Spare parts list**



6720906436.aa.RS-Pumpengruppe KS0105-KS0120

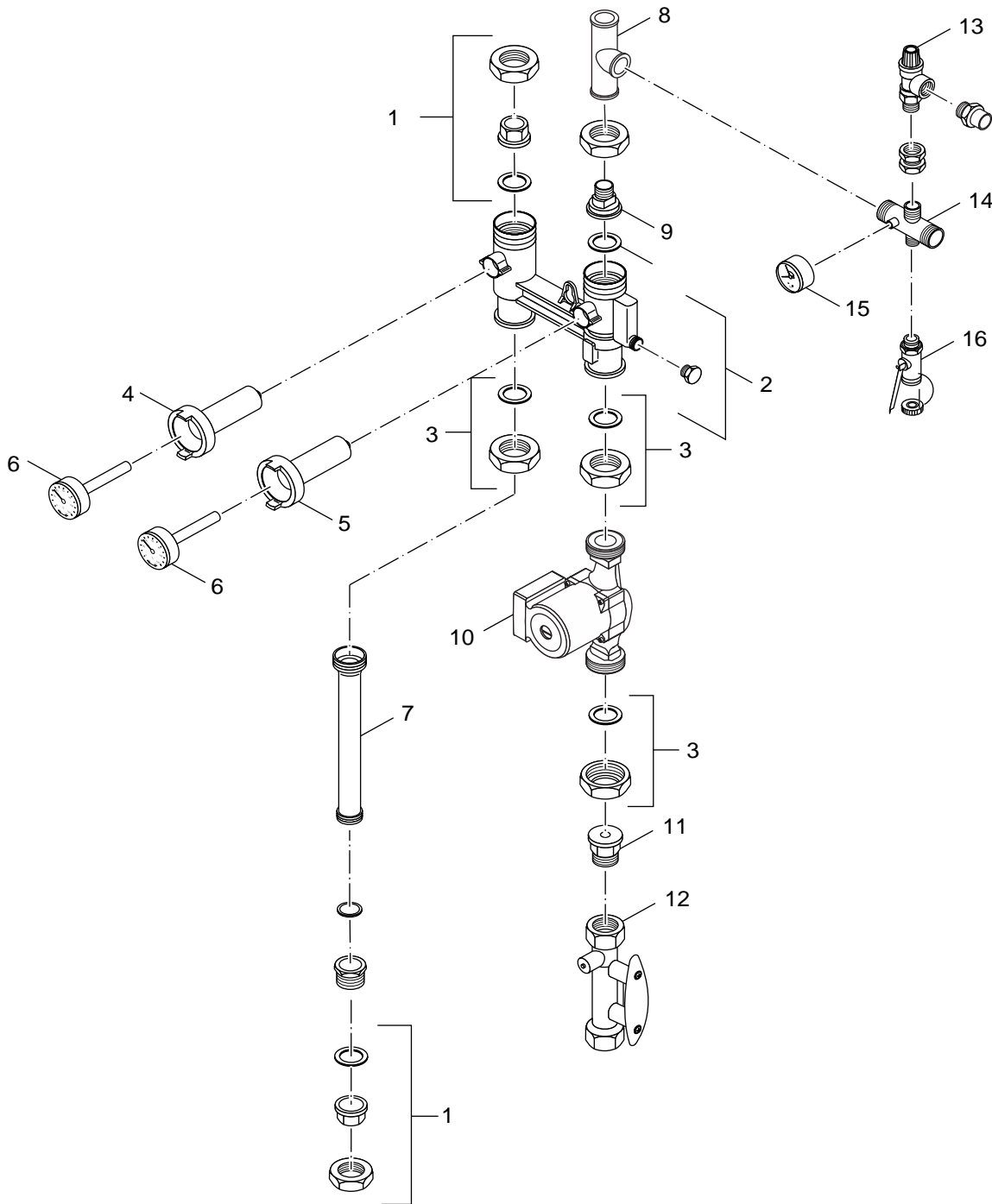
Pumpengruppe KS0105-KS0120  
 pump set KS0105-KS0120

**465043**

**2**



Ersatzteilliste  
Spare parts list



6720906437.aa.RS-Pumpengruppe KS0150

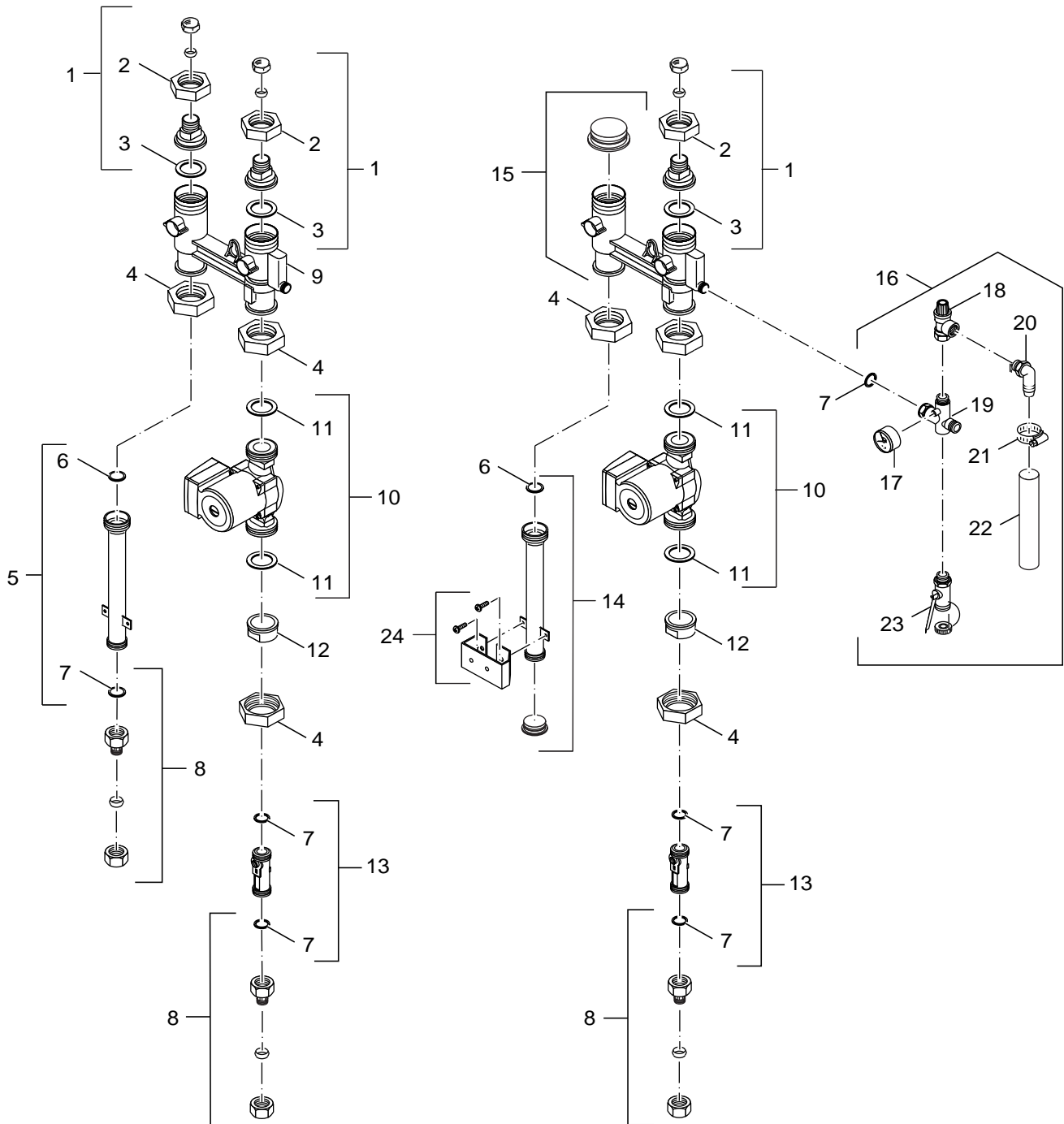
Pumpengruppe KS0150  
pump set KS0150

**465043**

**3**



**Ersatzteilliste**  
**Spare parts list**



6720906438.aa.RS-Pumpengruppe KS0210-KS0220

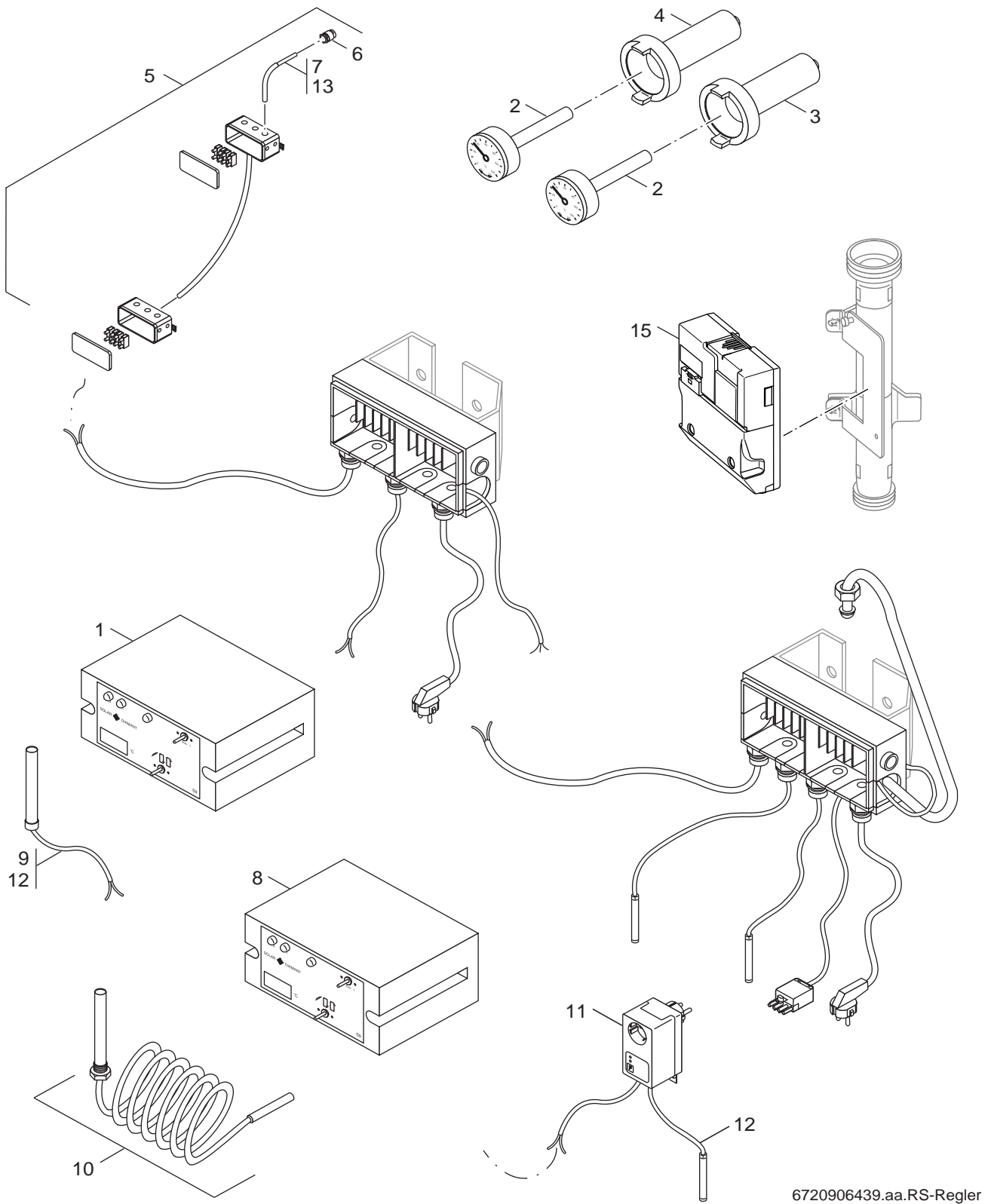
Pumpengruppe KS0210-KS0220  
pump set KS0210-KS0220

**465043**

**4**



**Ersatzteilliste**  
**Spare parts list**



6720906439.aa.RS-Regler

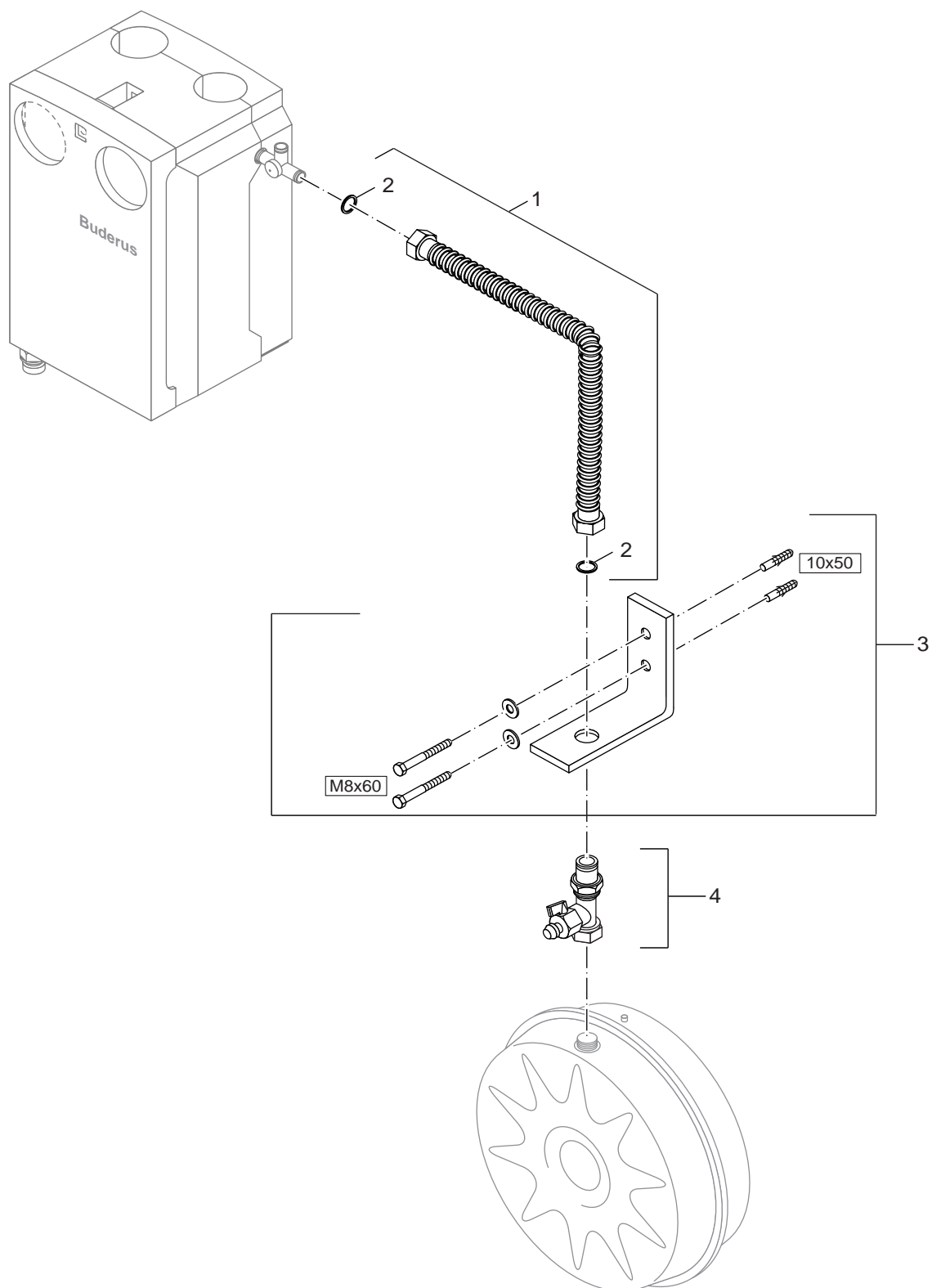
Regler  
controller

**465043**

**5**



**Ersatzteilliste**  
**Spare parts list**



6720906440.aa.RS-Anschlussgruppe KS0210-KS0220

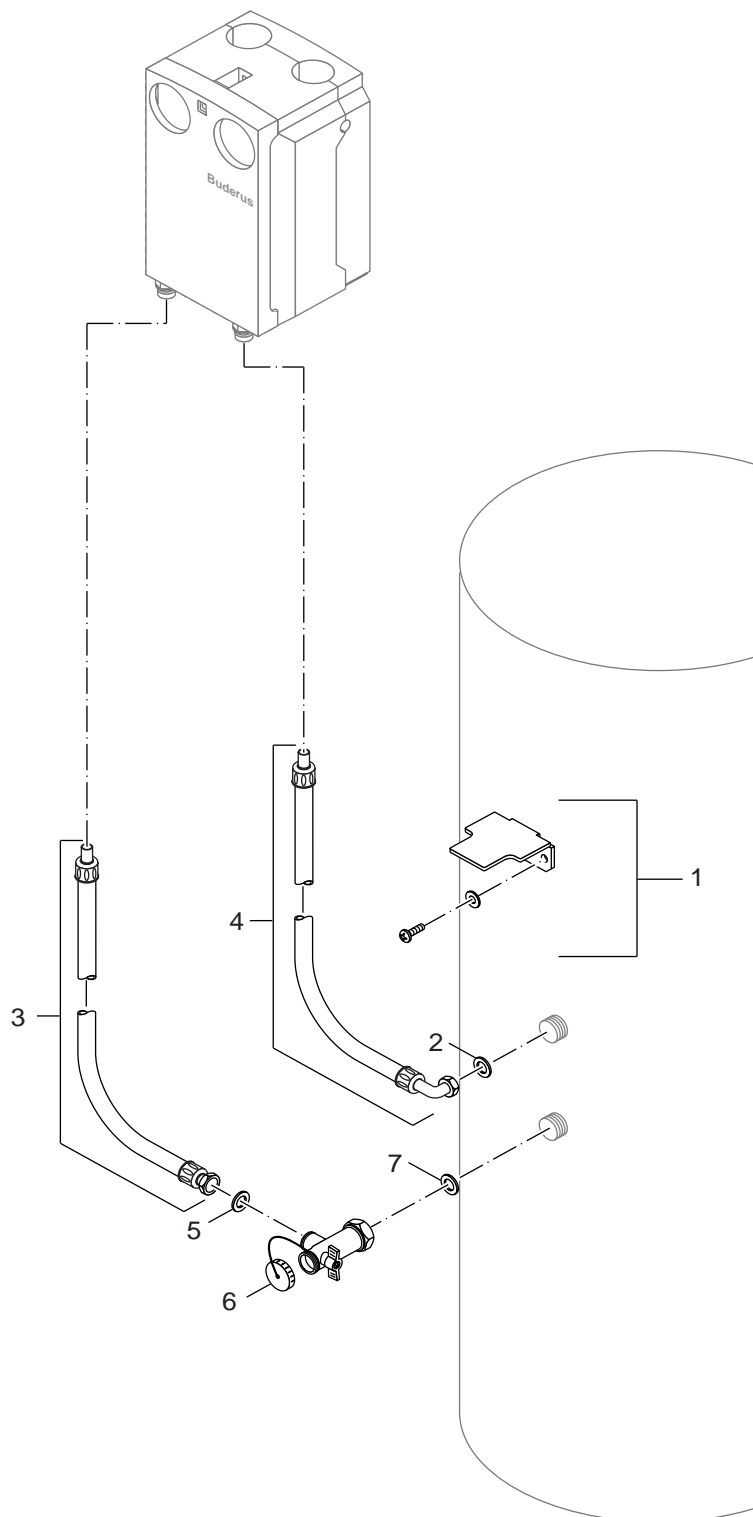
Anschlussgruppe KS0210-KS0220  
 connection kit KS0210-KS0220

**465043**

**6**



Ersatzteilliste  
Spare parts list



6720906441.aa.RS-Verbinder-Set KS0150/SM300

Verbinder-Set KS0150/SM300  
connector set KS0150/SM300

**465043**

**7**

Pos	Bezeichnung description	Bestell-Nr. Ordering no.	KS105-220																		Bemerkungen Remarks
1	Abstandshalter KS/Speicher unten	63008760	■																		
2	Dichtung D 30x21x1,5	63005124	■																		
3	Solarschlauch 3/4"x1500mm	63011519	■																		
4	Solarschlauch 3/4"x1230mm	63011514	■																		
5	IT-Dichtung 3/4"	80427139	■																		
6	Füll-/ Entleerungshahn G1"xG3/4"	5354814	■																		
7	Dichtung D24x30,5x2mm (5x)	63020247	■																		
	Dichtungssatz G115-It300	5584620	■																		
<b>465043</b>																Verbinder-Set KS0150/SM300 connector set KS0150/SM300				<b>7</b>	

**Übersetzungsliste**  
**List of translations**

Pos	Description
<b>1</b>	<b>Element of construction</b>
1	Cover KS 0120 R blue
2	Cover HS25 blue
3	Cover KS 0210R-0220R blue
4	Thermal insulation KS0105 R/KS0110 R
5	Wall bracket KS0105-0150 top
6	Mounting kit KS-solar
7	Wall bracket KS0210/0220 top
8	Spacer KS0105-0220 bottom
9	Sealing screw
<b>2</b>	<b>Element of construction</b>
1	Reducer KS0105 D18 top
2	Union nut DIN2950 3/4" G11/4
3	Gasket D24x30,5x2mm (5 pieces)
4	Union nut G1 1/2
5	Flow pipe KS0105/KS0110
6	Seal Set D32x44x2mm AFM34 (5 pc)
7	Gasket D21x30x2mm AFM 34
8	Base f controller KR0105/0205
9	Reducer KS0105 SF D18 bottom
10	Ball valve DN20 VL/RL
11	Pump UPS 25-40 130mm Ltg.2800 9h
12	Gasket D 32x44x2 EPDM
13	Part insert G1 1/2" FL x G 3/4"
14	Sealing D24x17x2 AFM34 (10pc)
15	Setter 23-1238 G3/4xG3/4 2-8 L
16	Reducer KS0105 D18 RL bottom
17	Safety equipment solar station
18	Pressure gauge D63 0 -10 bar
19	Distribution safety valve KS
20	Membrane safety valve MS 1/2, 3 bar
21	Bush angle WES 19/R
22	Hose clip 13 -32mm
23	Hose DN 20x3x500mm PVC transparent
24	Drain valve 1/2"
25	Bracket SM10 KS 0105/0110/0120
	Gasket kit Flat gasket V2
	Safety valve Rp1/2" 6 bar
<b>3</b>	<b>Element of construction</b>
1	Union nut with part insert DN32
2	Ball valve DN32 VL/RL Solar
3	Union nut DIN2950-374-1 1/4-G2
4	Handle red for Ball valve
5	Handle blue for Ball valve
6	Thermometer D63 T1100xD9-120°C C
7	Flow pipe KDG32-80/KS0150
8	Tee 1 1/4 KTL coated
9	Gravity brake SVA DN32
10	Pump UPS 180mm
11	Part insert G2 x 1 1/4 Ag flat roof
12	Setter 23-1551 strip 20-70 l/min
13	Membrane safety valve 1 3 bar
14	Distributor safety equipment DN25
15	Pressure gauge D63 0 -10 bar
16	Ball valve 3/4 FE Solar
	Gasket kit Flat gasket V2

**Übersetzungsliste**  
**List of translations**

Pos	Description
<b>4 Element of construction</b>	
1	Reducer KS0110/0210 D 22 top
2	Union nut DIN2950 3/4" G11/4
3	seal set D27x38x2mm (Set 5 Pice)
4	Union nut G1 1/2
5	Flow pipe KS/KDG
6	Seal Set D32x44x2mm AFM34 (5 pc)
7	Gasket D21x30x2mm AFM 34
8	Reducer KS0110/0210 D 22 SF bottom
9	Ball valve DN20 VL/RL
10	Pump Grundfos UPS 25/60 MK3 180mm
11	Gasket D 32x44x2 EPDM
12	Part insert G1 1/2" FL x G 1"
13	Setter 23-1300 G1xG1 4-15L
14	Flow pipe KS0210/0220 with 1 Gasket and
15	Ball valve DN20 RL with Plug
16	Safety equipment solar station
17	Pressure gauge D63 0 -10 bar
18	Membrane safety valve MS 1/2, 3 bar
19	Distribution safety valve KS
20	Bush angle WES 19/R
21	Hose clip 13 -32mm
22	Hose DN 20x3x500mm PVC transparent
23	Drain valve 1/2"
24	Base f controller KR0105/0205
	Flat gasket kit 1
	Gasket kit Flat gasket V2
	Gasket kit G115-It300
	Safety valve Rp1/2" 6 bar
<b>5 Element of construction</b>	
1	Controller KR0106
2	Thermometer D63 T1100xD9-120°C C
3	Handle red for Ball valve
4	Handle blue for Ball valve
5	Connection kit Sensor lead
6	Nipple PG9
7	Collector sensor RD 6,0 20k 2500lang
8	Controller KR 0205
9	temperature sensor RD9,7 3100mm 10k
10	Cylinder sensor connection kit
11	Socket controller SR 3 with earthed plug
12	Sensor FRY6 DHW cylinder 2500mm No.
13	Sensor FKY6 collector 2500mm
15	Module SM10 S02 Solar EMS
	socket outlet ctrl SR2
<b>6 Element of construction</b>	
1	Metal hose DN20 600lg
2	Seal D19x24.3x2mm AFM34 (5x)
3	Wall bracket expansion vessel solar
4	Automatic shut off device 3/4 with
	Flat gasket kit 1
<b>7 Element of construction</b>	
1	Spacer KS/Speicher bottom
2	Gasket D 30x21x1,5
3	Solar hose 3/4"x1500mm
4	Solar hose 3/4"x1230mm
5	IT gasket 3/4"









Bosch Thermotechnik GmbH  
Sophienstraße 30-32  
D-35576 Wetzlar  
[www.buderus.de](http://www.buderus.de)

**Buderus**