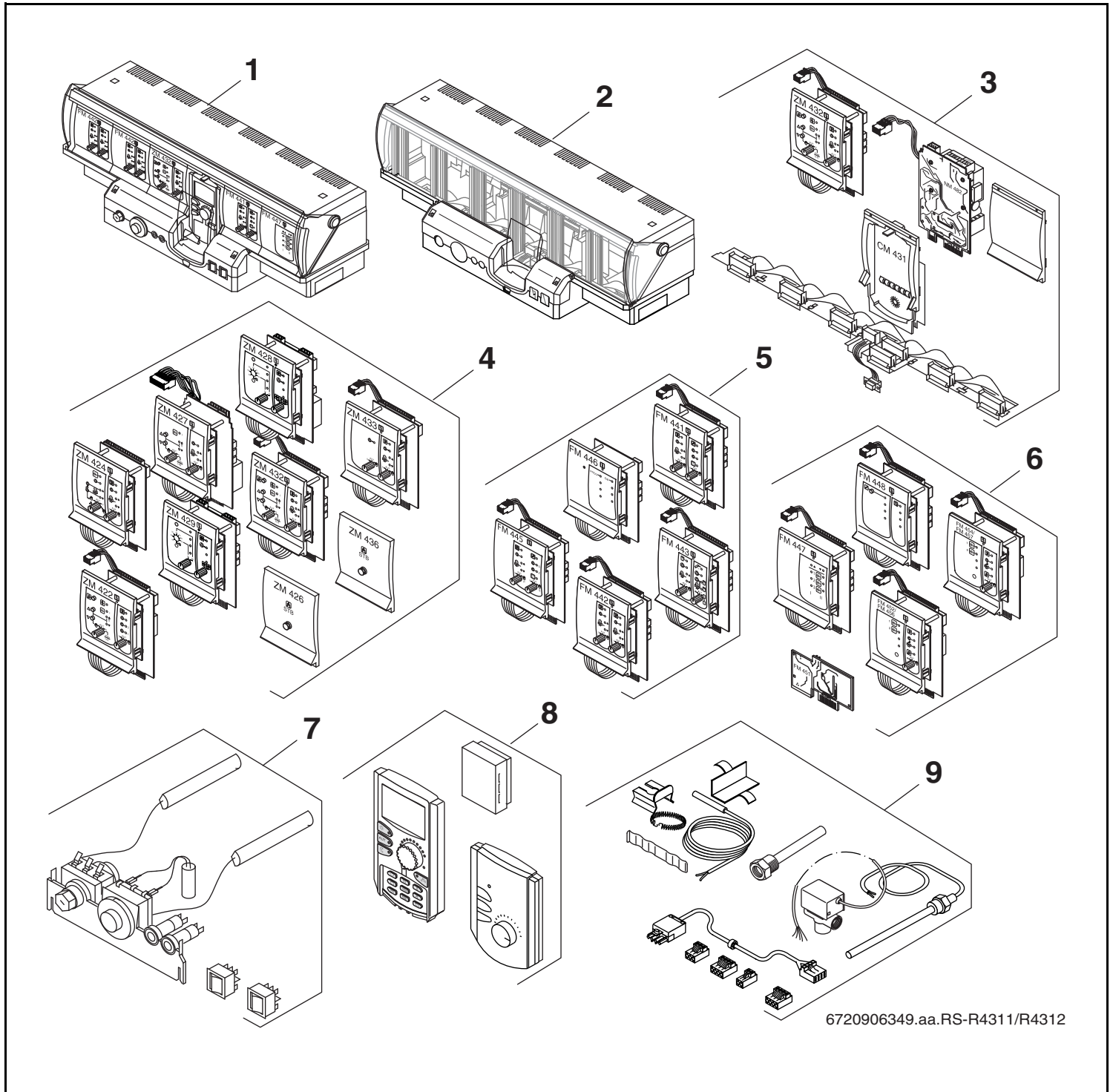


# Regelgerät HS4311 / HS4312



# Buderus



### Wichtige Hinweise

- Ersatzteile dürfen nur von einem zugelassenen Installateur eingebaut werden!
- Im Anhang finden Sie:
  - die Übersetzungen aller verwendeten Teilebezeichnungen
  - eine Übersicht der Gerätetypen und Länder, für die diese Ersatzteilliste gilt.

### Important notes

- The spare parts may only be installed by an approved installer!
- In the appendix you will find:
  - a list of translations of the names of all parts used
  - a list of the models and countries to which this spare parts list applies.

### Indications importantes

- L'installation des pièces de rechange doit être effectuée par un professionnel qualifié!
- Veuillez trouver en annexe:
  - les traductions de toutes les désignations des pièces utilisées
  - une vue globale des types de chaudières et des pays pour lesquels la présente liste des pièces de rechange est valable.

### Informações importantes

- Peças de substituição só podem ser montadas por um técnico credenciado!
- Em anexo encontra:
  - as traduções das designações de todas as peças utilizadas.
  - lista dos aparelhos e países para os quais esta lista de peças de substituição é válida.

### Avvertenze importanti

- Le parti di ricambio possono essere montate esclusivamente da personale qualificato ed in possesso dei requisiti tecnico-professionali!
- In appendice sono reperibili:
  - traduzione di ogni descrizione relativa alle varie parti di ricambio
  - elenco di sigle e codici, corrispondente ai vari paesi di destinazione.

### Indicaciones importantes

- Los repuestos solamente deben ser montados por los servicios técnicos oficiales de la marca!
- En el anexo podrá encontrar:
  - la traducción de todas las denominaciones de piezas empleadas
  - una relación de los tipos de aparato y países en los que se aplica esta lista de repuestos.

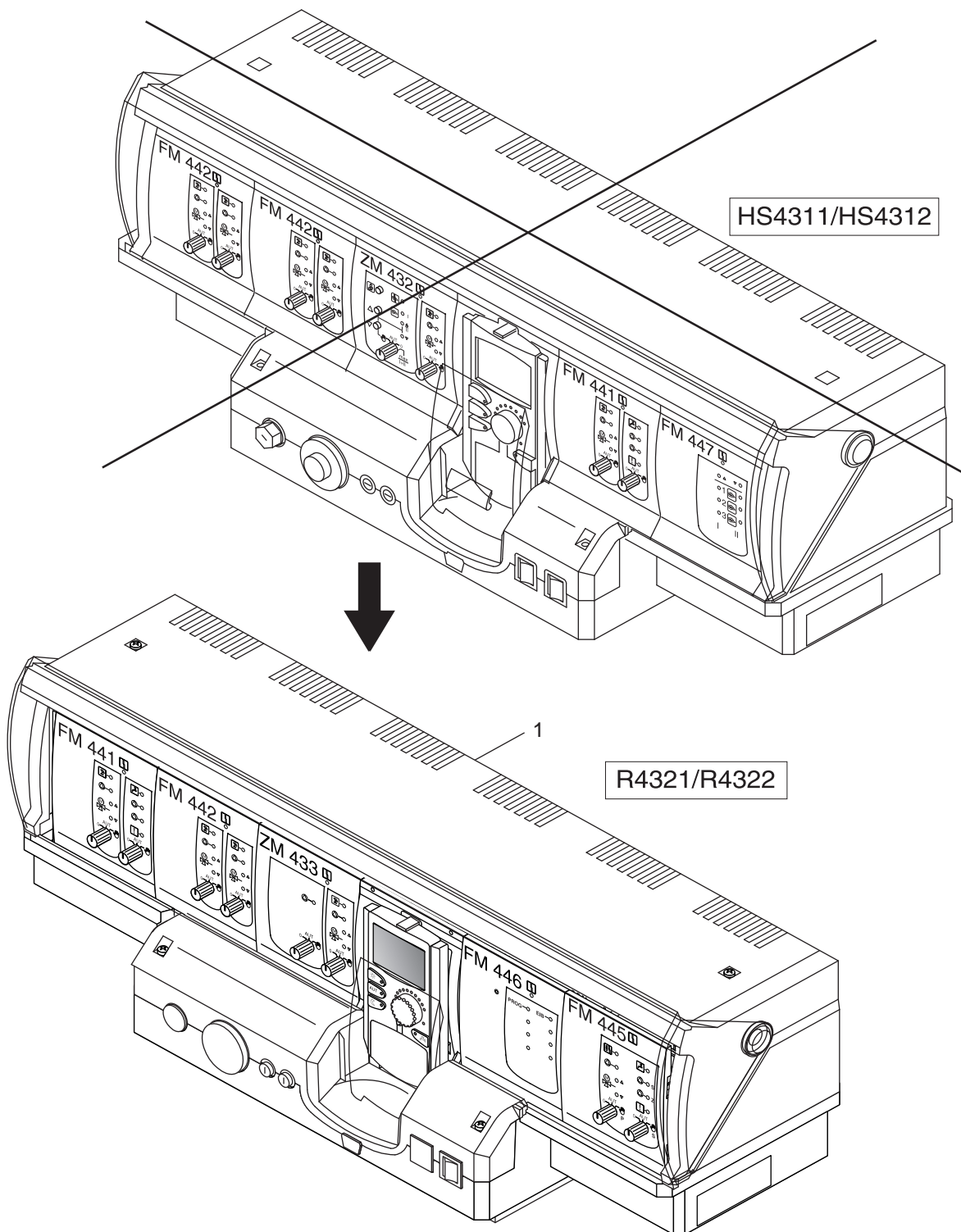
### Belangrijke aanwijzing

- Onderdelen mogen alleen door een erkend installateur worden vervangen!
- In de bijlage vindt u:
  - de vertalingen van de gebruikte onderdelentekeningen
  - een overzicht van toesteltypen en de landen waarvoor deze onderdelenlijst bedoeld is.

### Önemli Bilgiler

- Yedek parçalar sadece yetkili tesisatçılar tarafından monte edilebilir!
- Aşağıdaki bilgileri ekli olarak bulabilirsiniz:
  - Tüm kullanılan parça tanımlarının tercümelemleri
  - Bu yedek parça listesinin geçerli olduğu tüm cihaz çeşitleri ve ülkelerin özeti.

Ersatzteilliste  
Spare parts list



6720906350.aa.RS-Gerätevarianten R4311/R4312

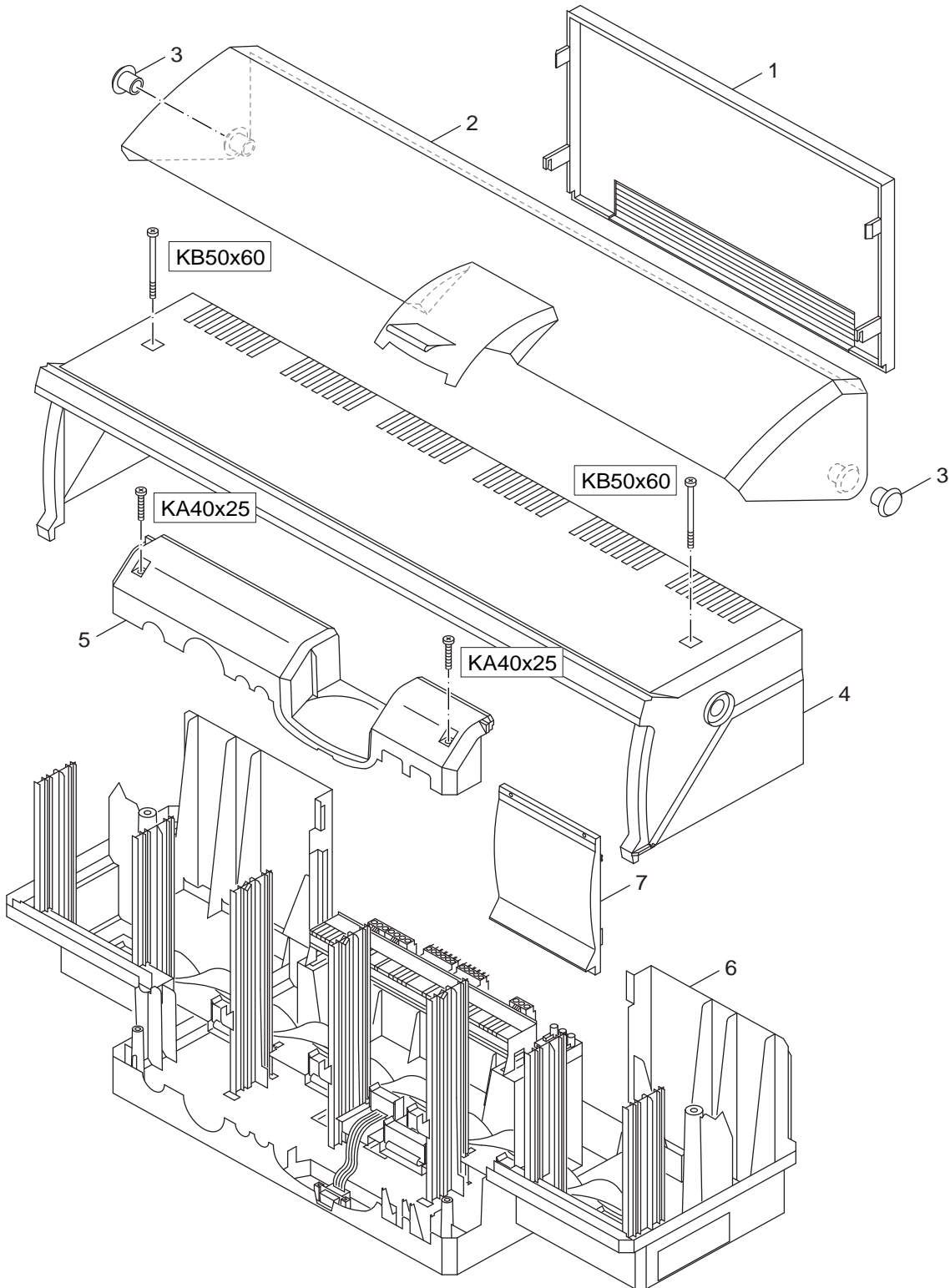
Gerätevarianten R4311/4312  
Contoller R4311/4312

**Regelgerät HS4311 / HS4312**

**1**

Pos	Bezeichnung description	Bestell-Nr. Ordering no.	4311-4312																										Bemerkungen Remarks
1	Buderus Logamatic R4321 Serie 30 verp	7 747 011 931	■																										
1	Buderus Logamatic R4322 Serie 27 verp	7 747 011 939	■																										
<b>Regelgerät HS4311 / HS4312</b>		Gerätevarianten R4311/4312 Contoller R4311/4312														<b>1</b>													

Ersatzteilliste  
Spare parts list



6720906351.aa.RS-Gehäuseeinzelteile R4311/R4312

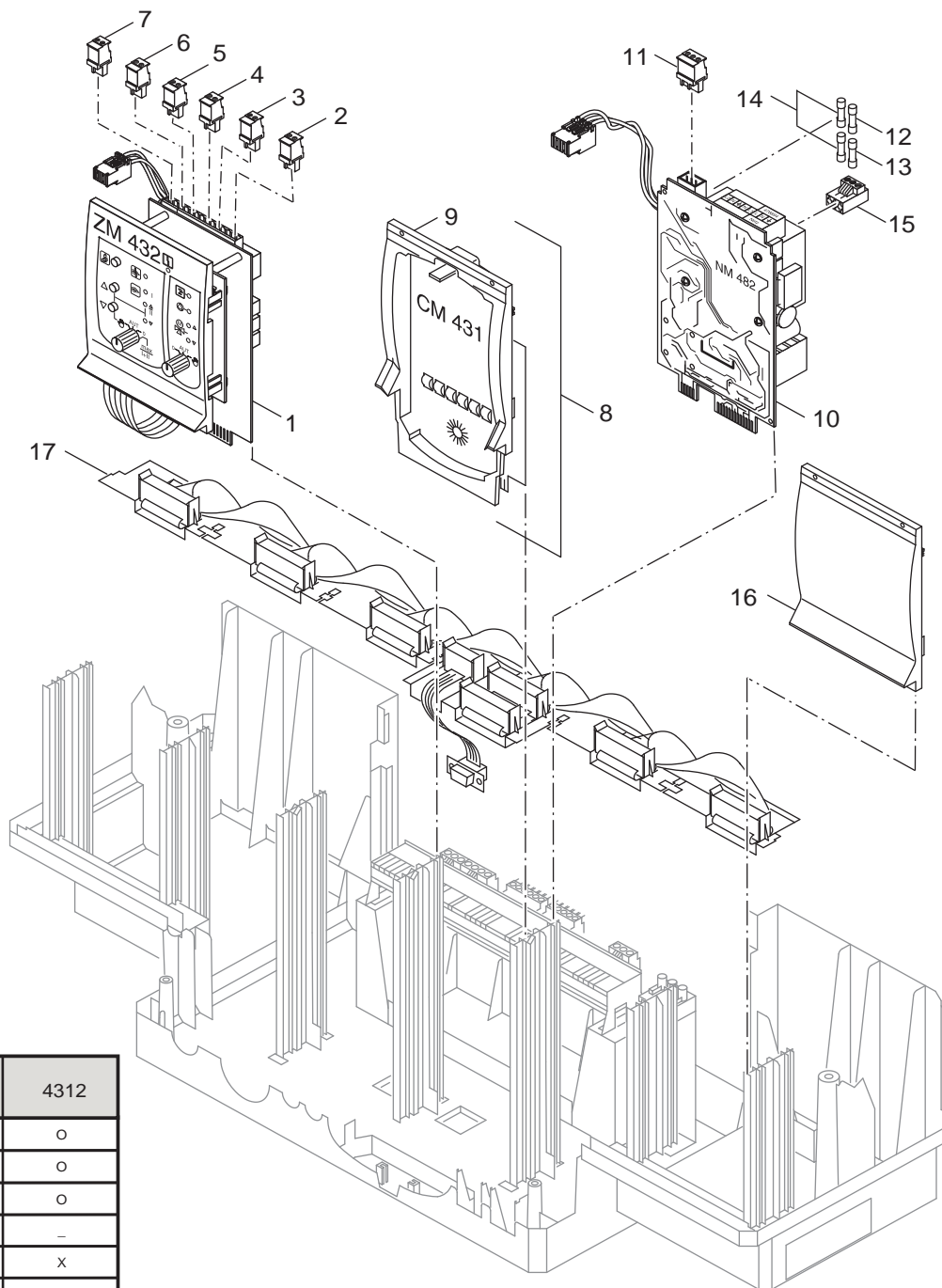
Gehäuseeinzelteile R4311/4313  
casing R4311/4313

Regelgerät HS4311 / HS4312

2



**Ersatzteilliste**  
**Spare parts list**



	Bezeichnung	4311	4312
Module	CM 431	o	o
	NM 482	o	o
	ZM 432	o	o
	ZM 433	-	-
	FM 441	x	x
	FM 442	x	x
	FM 443	x	x
	FM 445	x	x
	FM 446	x	x
	FM 447	x	-
	FM 448	x	x
ZM 426	x	x	

O = Grundausstattung / basic equipment  
 X = Zusatzausstattung / supplementary equipment  
 \_ = Kombination/Einbau nicht möglich / combination not possible

6720906352.aa.RS-Module Grundausstattung R4311/R4312

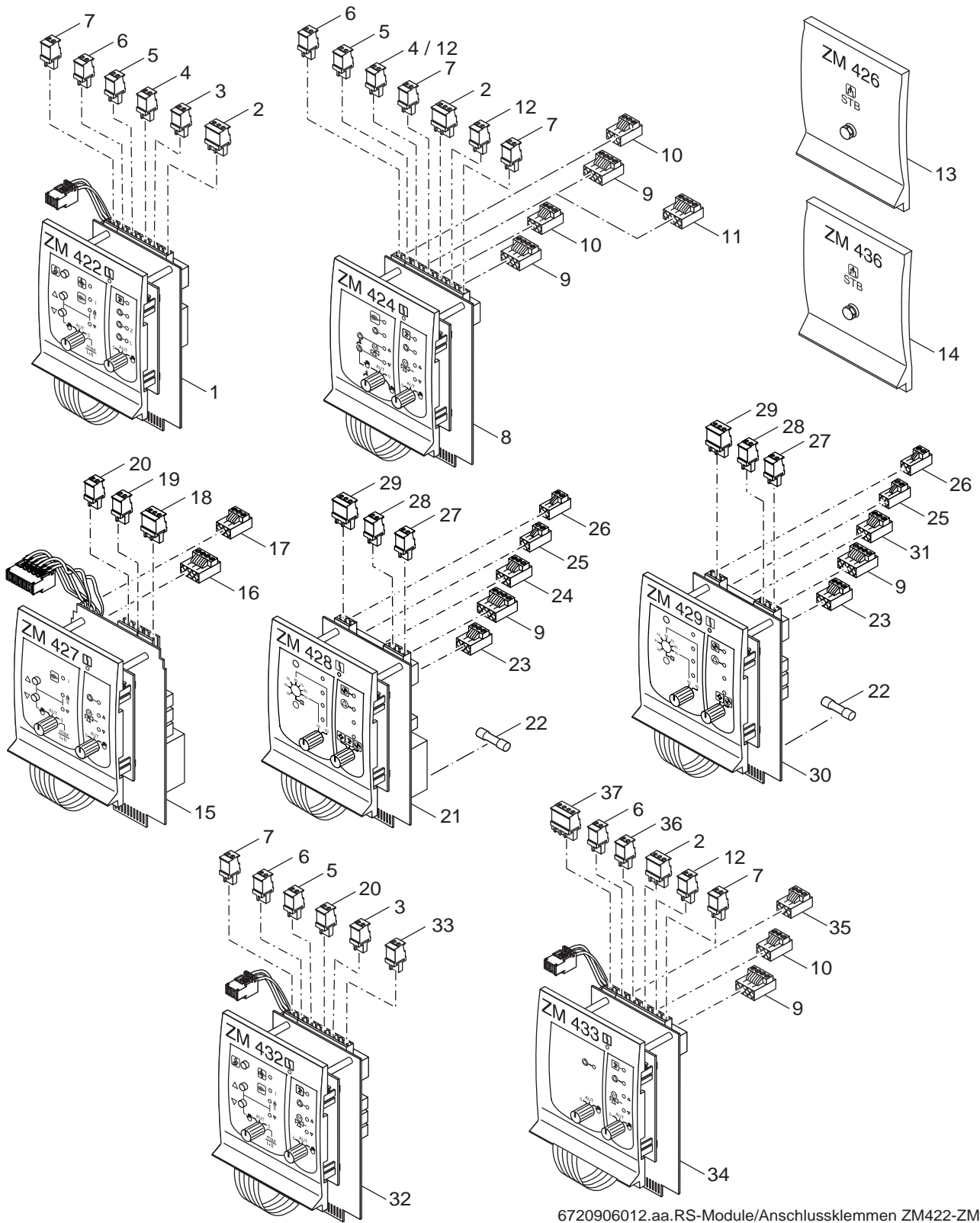
Grundmodule R4311/4312  
 Printed circuit R4311/4312

**Regelgerät HS4311 / HS4312**

**3**



**Ersatzteilliste**  
**Spare parts list**



6720906012.aa.RS-Module/Anschlussklemmen ZM422-ZM436

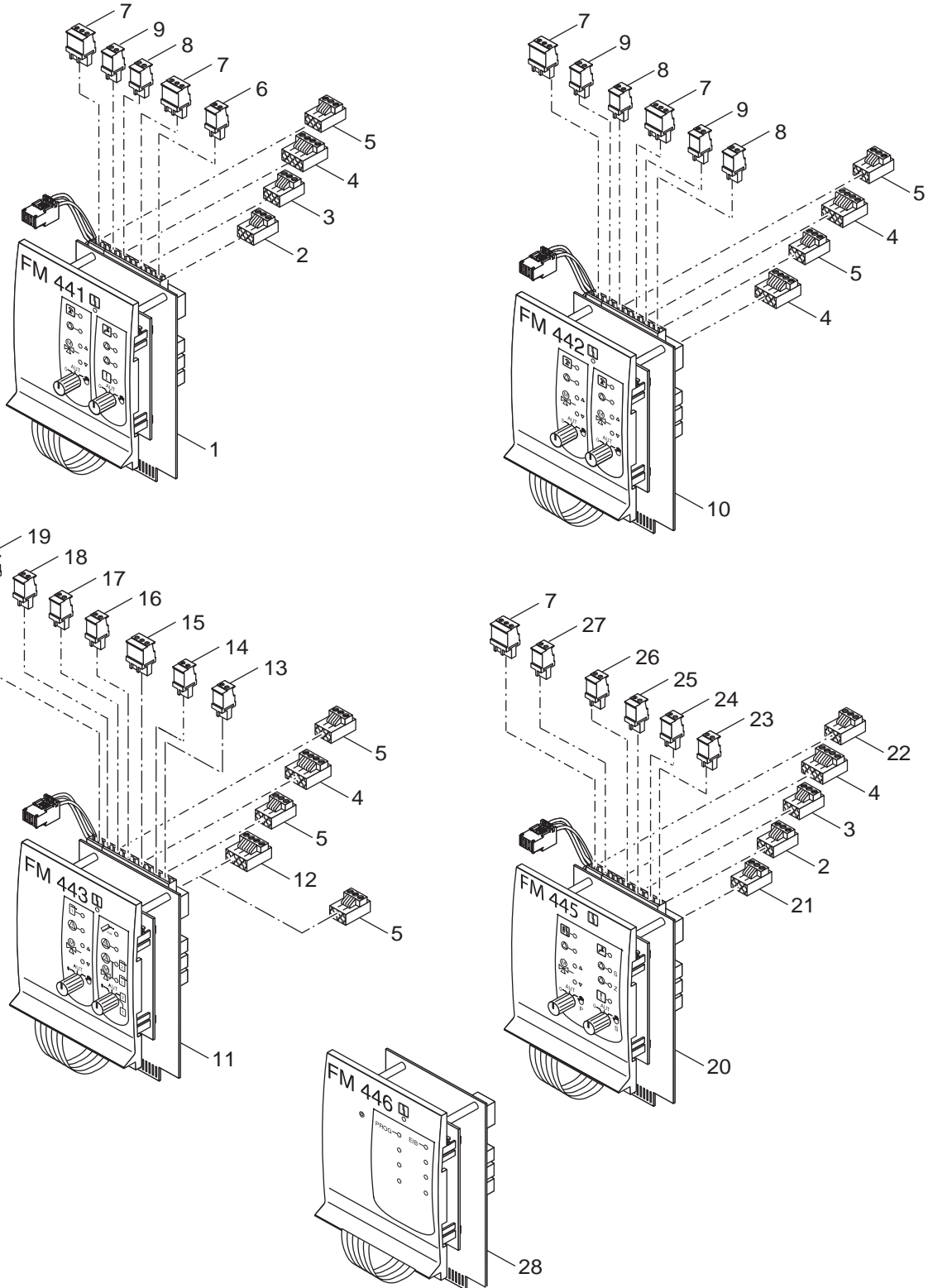
Module ZM422-ZM436  
Module ZM422-ZM436

**Regelgerät HS4311 / HS4312**

**4**



**Ersatzteilliste**  
**Spare parts list**



6720906013.aa.RS-Module/Anschlussklemmen FM441-FM446

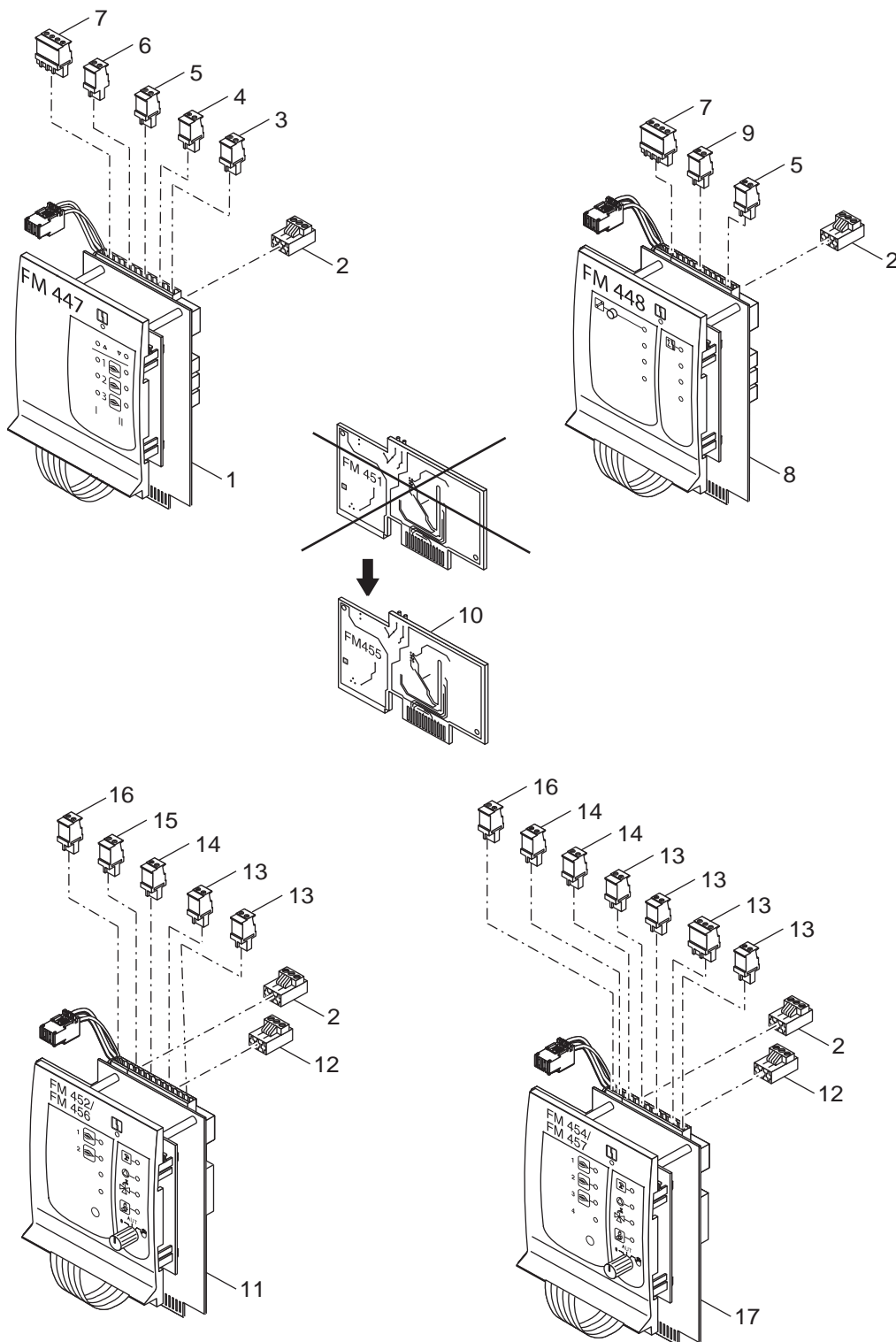
Module ZM441-FM446  
Module ZM441-FM446

**Regelgerät HS4311 / HS4312**

**5**



# Ersatzteilliste Spare parts list



6720906014.aa.RS-Module/Anschlussklemmen FM447-FM454

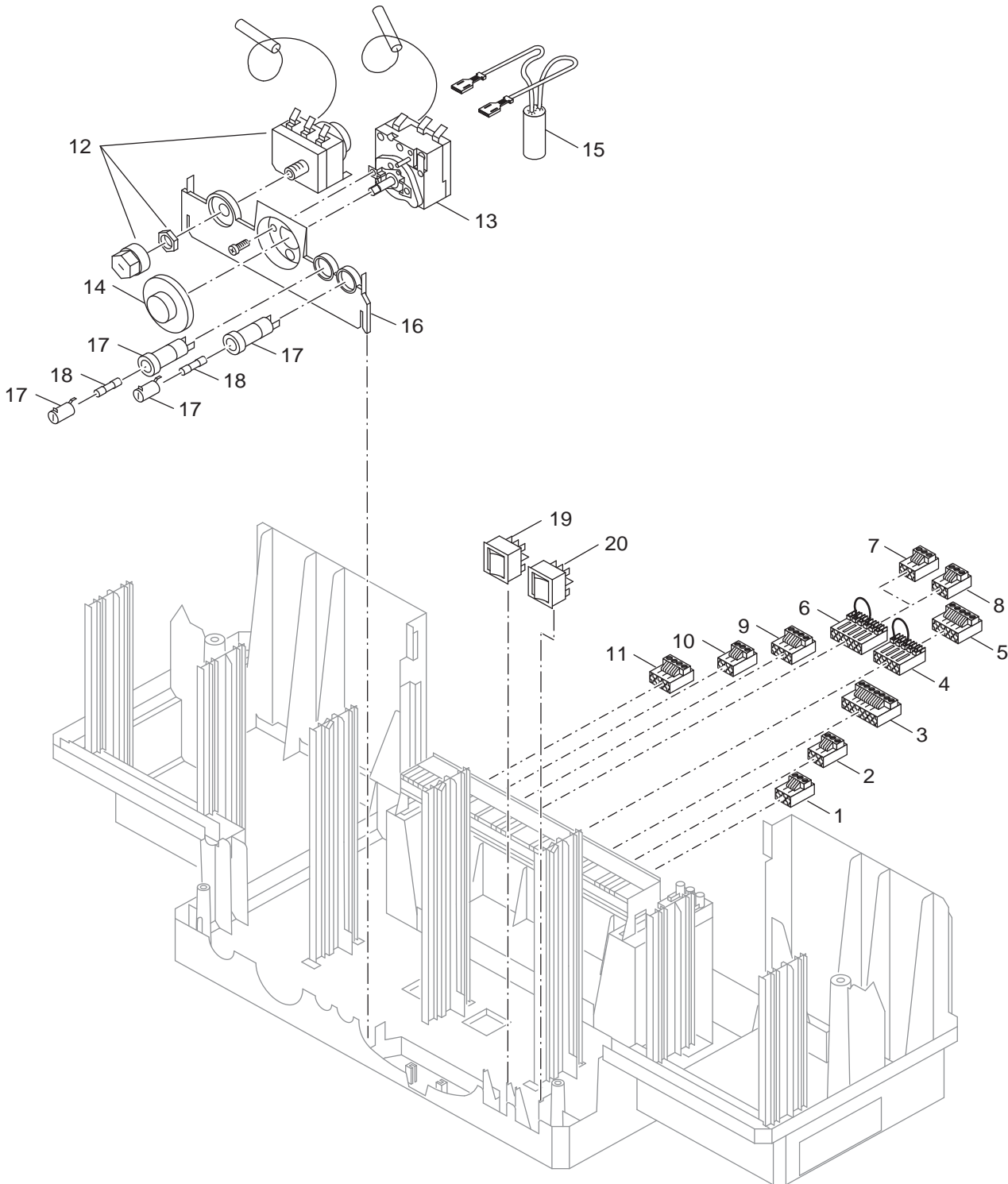
Module ZM447-FM454  
Module ZM447-FM454

Regelgerät HS4311 / HS4312

6



**Ersatzteilliste**  
**Spare parts list**



6720906558.aa.RS-STB/Regler/Anschlusskabel R4311/R4312

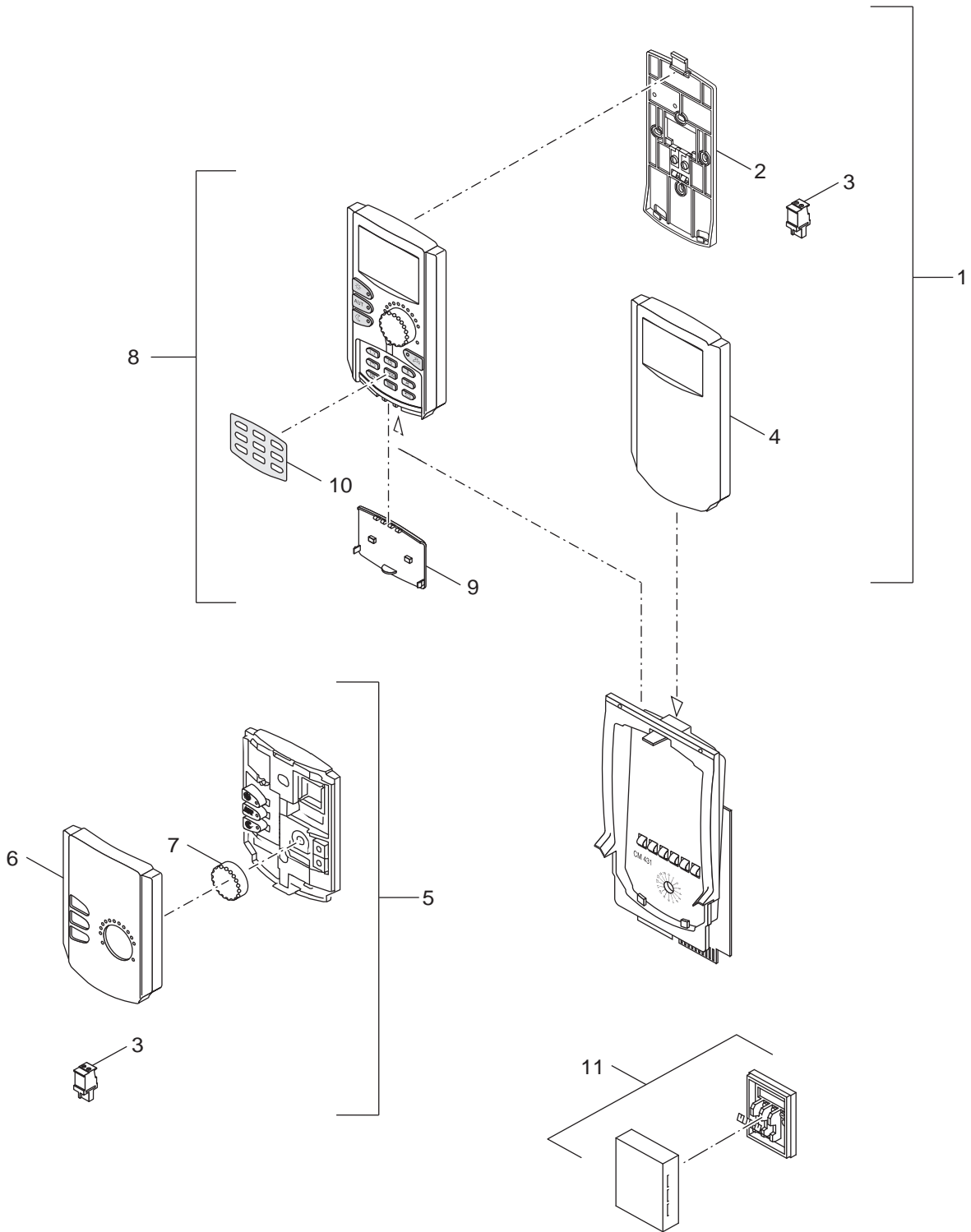
Regler+Schalter+Sicherung R4311/4312  
 Contoller+switch+fixing ring R4311/4312

**Regelgerät HS4311 / HS4312**

**7**



**Ersatzteilliste**  
**Spare parts list**



6720906015.aa.RS-Fernbedienung/Raummontageset R4xxx

Fernbedienung R4313  
 remote control R4313

**Regelgerät HS4311 / HS4312**

**8**







**Übersetzungsliste**  
**List of translations**

Pos	Description
<b>1</b>	<b>Element of construction</b>
1	R4321
<b>2</b>	<b>Element of construction</b>
2	Housing transparent cover R43xx
3	Hinge pin
4	Housing upper part R43xx
5	Housing devicecover R43xx RAL5015
6	Housing low sect R43xx BM492 V3
7	Front plate blind blue 4"
<b>3</b>	<b>Element of construction</b>
1	Contol Box ZM 434
2	Connecting terminal 2-polig ochre brown
3	Connecting terminal 2-polig tomato red
4	Connecting terminal 2-polig broom
5	Connecting terminal 2-polig may green
6	Connecting terminal 2-pol blue
7	Connecting terminal 2-pol brown
8	module CM431 S26 Control
9	Front plate CM431 m depression without
10	Module NM482 power supply unit
11	Connecting terminal 3-polig white
12	Fuse IEC 127 T0.8A 5x20 10 pc.
13	Fuse IEC127-2/3T0,63A 5x20 10 pc.
14	Fuse DIN41571 M0,4A 5x20 kit 10 Piece
15	Connecting terminal 3-pol white
16	Front plate blind blue 4"
17	Module BM492 S03 Bus
<b>4</b>	<b>Element of construction</b>
1	Module ZM422 S08 boiler
2	Connecting terminal 3-polig light pink
3	Connecting terminal 2-polig tomato red
4	Connecting terminal 2-pol grey
5	Connecting terminal 2-polig may green
6	Connecting terminal 2-pol blue
7	Connecting terminal 2-pol brown
8	Module ZM424 S09 boiler
9	Connecting terminal 4-pol brown
10	Connecting terminal 3-pol brown
11	Connecting terminal 4-pol violett
12	Connecting terminal 2-pol sigbr
13	ZM426 HIGH LIMIT SAFETY CUT-OUT MODULE
14	Module ZM436 sup-STB 95 degree C
15	Module ZM427 boiler operating module
16	Connecting terminal 4-pol beige
17	Connecting terminal pluggable 3-polig
18	Connecting terminal 3-pin white stage 2
19	Connecting terminal 2-polig
20	Connecting terminal 2-polig broom
21	Module ZM428 Domestic hot water
22	Fuse DIN41571 M0,4A 5x20 kit 10 Piece
23	Connecting terminal 3-pol white
24	Connector terminal 3-polig orange SI
25	Connecting terminal 2-pol black
26	Connector terminal pluggable 2-pole
27	Connecting terminal 2-polig pebble grey
28	Connecting terminal 2-pol sbrown
29	Connecting terminal 3-polig ochre brown

## Übersetzungsliste List of translations

Pos	Description
30	Module ZM429 loading control
31	Connecting terminal pluggable 3-pole
32	Contol Box ZM 434
33	Connecting terminal 2-polig ochre brown
34	Module ZM433 S07 boiler
35	Connecting terminal 3-pol green
36	Connecting terminal pluggable 2-pol may
37	Connecting terminal 4-polig ochre brown
<b>5</b>	<b>Element of construction</b>
1	Function module FM441 S11 hot water
2	Connecting terminal 3-pol violett
3	Connecting terminal 3-pol grey
4	Connecting terminal 4-pol brown
5	Connecting terminal 3-pol brown
6	Connecting terminal 2-pol grey
7	Connecting terminal 3-polig light pink
8	Connecting terminal 2-pol brown
9	Connecting terminal 2-pol sigbr
10	Function module FM442 S11 Mixer
11	module FM443 S08 Solar
12	Connecting terminal 4-pol violett
13	Connecting terminal 2-polig may green
14	Connecting terminal 2-polig signal
15	Connecting terminal 3-polig ochre brown
16	Connecting terminal 2-polig nut brown
17	Connecting terminal 2-polig pebble grey
18	Connecting terminal 2-polig grey FSS
19	Connecting terminal 2-polig broom
20	Module FM445 S11 LAP
21	connecting terminal 3- pin purple red
22	Connecting terminal 3-pol green
23	Connecting terminal 2-polig mgreen
24	Connecting terminal 2-polig pebble grey
25	Connecting terminal 2-pol sbrown
26	Connecting terminal 2 pin tomato red
27	Connecting terminal 2-polig white U
28	Function module FM446 S06 EIB interface
<b>6</b>	<b>Element of construction</b>
1	Module FM458 S08 Strategie
2	connecting terminal 3- pin purple red
3	Connecting terminal 2-pol sigbr
4	Connecting terminal 2-polig broom
5	Connecting terminal 2-polig concrete
6	Connecting terminal 2-polig tomato red
7	Connecting terminal 4-polig ochre brown
8	Function module FM448 S06 Central fault
9	Connecting terminal 2-polig tomato red
10	Module FM455 KSE1/EMS
11	module FM456 S06 KSE2/EMS verp
12	Connecting terminal 3-pol brown
13	Connecting terminal 2-pol white
14	Connecting terminal 2-polig white U
15	Connecting terminal 2-polig may green
16	Connecting terminal 2-pol blue
17	module FM457 S06 KSE4/EMS verp
<b>7</b>	<b>Element of construction</b>
1	Connecting terminal 3-pol white

## Übersetzungsliste List of translations

Pos	Description
2	Connector terminal 3-polig orange SI
3	Connecting terminal 7-pol green
4	Connecting terminal 5-polig bridge SG
5	Connecting terminal 5-pol bl
6	Connecting terminal 6-polig white with
7	Connecting terminal 3-pol yellow
8	Connector terminal 3-polig blue UE
9	Connecting terminal 4-pol brown
10	Connecting terminal 3-pol brown
11	Connecting terminal 4-pol white
12	STB 89.13/ /TK,100,3000
13	Control thermostat 0-90/3000lg
14	Operating button 50-80 Aut 90Grad
15	Decoupling capcitor RC-Glied 0,01uF x +
16	Holder plate R43xx RAL5015
17	Fuse holder 230V/10A 5x20mm
18	Fuse 230V/10A 5x20mm (10x)
19	Rocker switch double operation Heating
20	Switch Typ 09
<b>8</b>	<b>Element of construction</b>
1	Remote control MEC2 S28
2	WALL BRACKET FOR MEC2
3	Connecting terminal 2-pol brown
4	Burnerdisplay ZM435
5	Remote control BFU/F for separate
6	Upper part BFU
7	Rotary selector BFU
8	Remonte Controll MEC2 S20 packs
9	Protective hood MEC
10	Film labelling MEC
11	Separator Room temperature sensor for
	Remote control MEC2 S28 Exp10 (MWE) verp
	Remote control MEC2 S28 Exp11 (MEE) verp
	Remote control MEC2 S28 Exp12 (SEE)
	Remote control MEC2 S28 Exp13 (EEU) verp
	Remote control MEC2 S28 Exp14 (NAM) verp
	Remote control MEC2 S28 Exp15 (NES)
	Remote control MEC2 S28 Exp16 (SEU) verp
<b>9</b>	<b>Element of construction</b>
1	Tensioning spring tempeature sensor
2	holdig plate temperature sensor
3	temperature sensor RD9,7 3100mm 10k
4	Connecting terminal 2-pol sigbr
5	Connecting terminal 3-pol brown
6	Connecting terminal 4-pol brown
7	Thermal conduction compu
8	Connecting terminal pluggable 2-pol may
9	Connecting terminal 3-pol green
10	Sensor holder
11	Compensating spring
12	Blanking piece for 1/4 circuit sensor
13	Connecting terminal 2-pol grey
14	Connecting terminal 3-pol grey
16	Connecting terminal 2-polig pebble grey
17	Connecting terminal 4-pol violett
18	outside temp.sensor ECO4000
19	Connecting terminal 3-pol violett







Bosch Thermotechnik GmbH  
Sophienstraße 30-32  
D-35576 Wetzlar  
[www.buderus.de](http://www.buderus.de)

**Buderus**