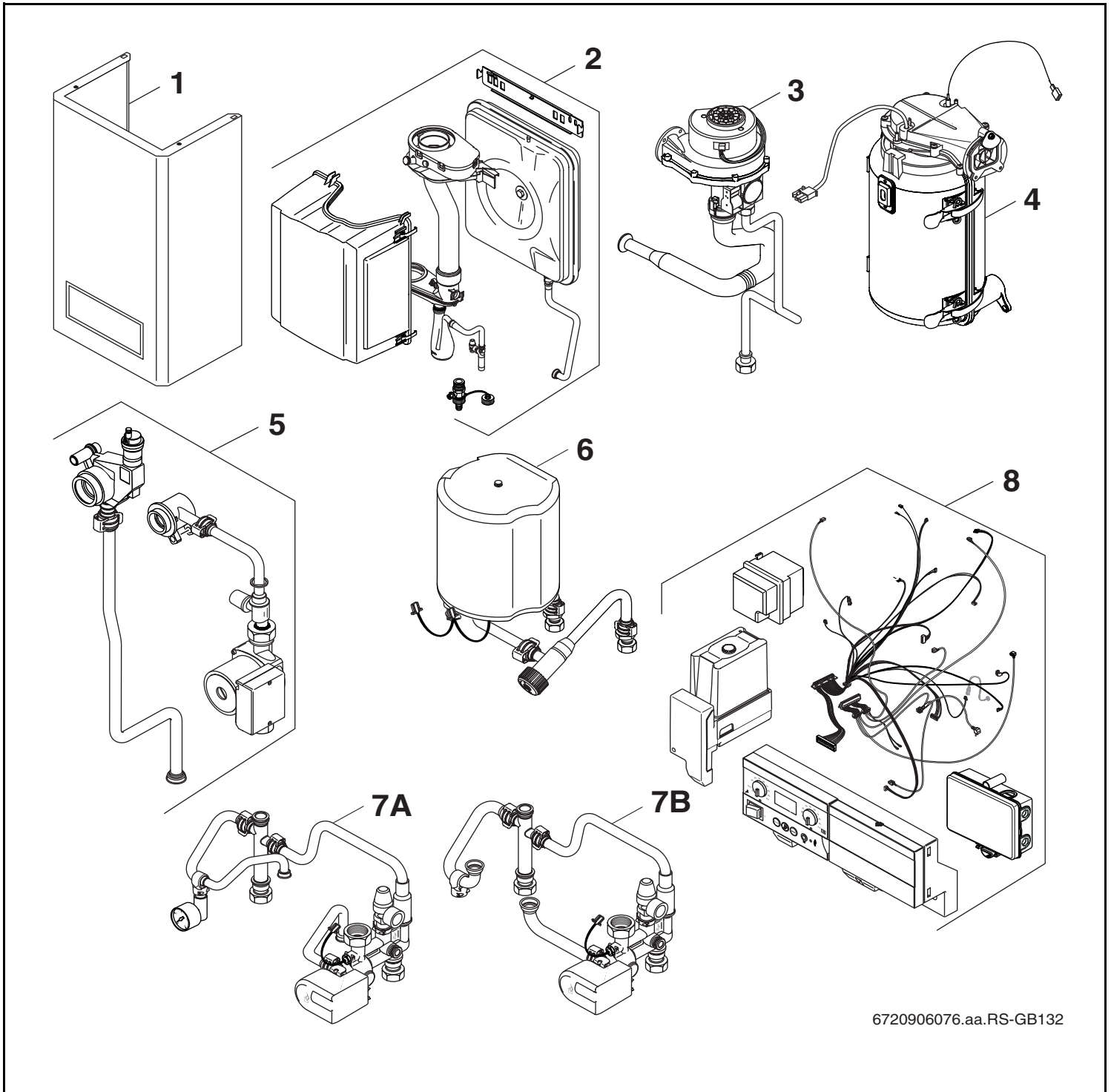


# GB132



6720906076.aa.RS-GB132

# Buderus



### Wichtige Hinweise

- Ersatzteile dürfen nur von einem zugelassenen Installateur eingebaut werden!
- Im Anhang finden Sie:
  - die Übersetzungen aller verwendeten Teilebezeichnungen
  - eine Übersicht der Gerätetypen und Länder, für die diese Ersatzteilliste gilt.

### Important notes

- The spare parts may only be installed by an approved installer!
- In the appendix you will find:
  - a list of translations of the names of all parts used
  - a list of the models and countries to which this spare parts list applies.

### Indications importantes

- L'installation des pièces de rechange doit être effectuée par un professionnel qualifié!
- Veuillez trouver en annexe:
  - les traductions de toutes les désignations des pièces utilisées
  - une vue globale des types de chaudières et des pays pour lesquels la présente liste des pièces de rechange est valable.

### Informações importantes

- Peças de substituição só podem ser montadas por um técnico credenciado!
- Em anexo encontra:
  - as traduções das designações de todas as peças utilizadas.
  - lista dos aparelhos e países para os quais esta lista de peças de substituição é válida.

### Avvertenze importanti

- Le parti di ricambio possono essere montate esclusivamente da personale qualificato ed in possesso dei requisiti tecnico-professionali!
- In appendice sono reperibili:
  - traduzione di ogni descrizione relativa alle varie parti di ricambio
  - elenco di sigle e codici, corrispondente ai vari paesi di destinazione.

### Indicaciones importantes

- Los repuestos solamente deben ser montados por los servicios técnicos oficiales de la marca!
- En el anexo podrá encontrar:
  - la traducción de todas las denominaciones de piezas empleadas
  - una relación de los tipos de aparato y países en los que se aplica esta lista de repuestos.

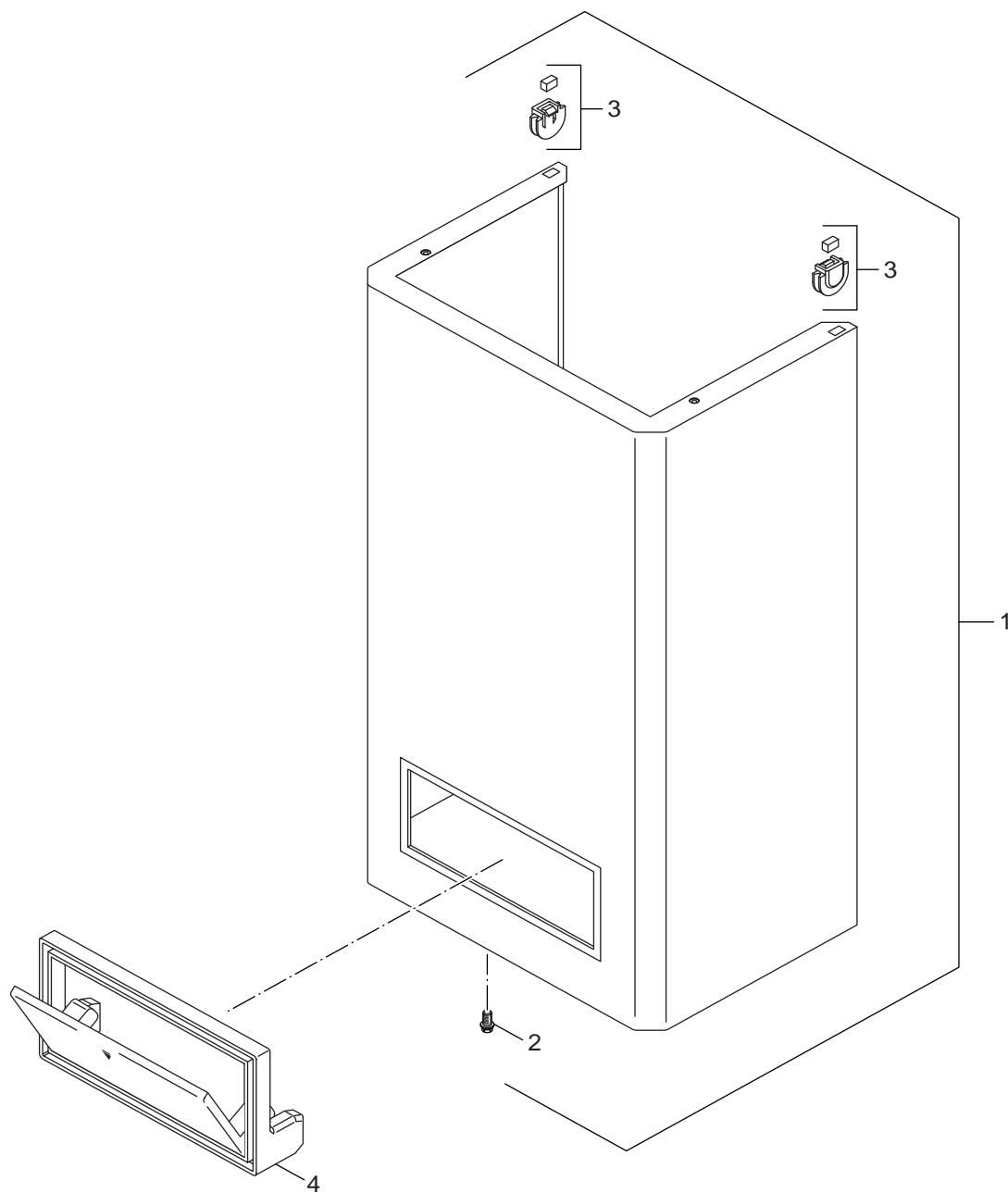
### Belangrijke aanwijzing

- Onderdelen mogen alleen door een erkend installateur worden vervangen!
- In de bijlage vindt u:
  - de vertalingen van de gebruikte onderdelentekeningen
  - een overzicht van toesteltypen en de landen waarvoor deze onderdelenlijst bedoeld is.

### Önemli Bilgiler

- Yedek parçalar sadece yetkili tesisatçılar tarafından monte edilebilir!
- Aşağıdaki bilgileri ekli olarak bulabilirsiniz:
  - Tüm kullanılan parça tanımlarının tercümelemleri
  - Bu yedek parça listesinin geçerli olduğu tüm cihaz çeşitleri ve ülkelerin özeti.

Ersatzteilliste  
Spare parts list



6720906067.aa.RS-Verkleidung GB132

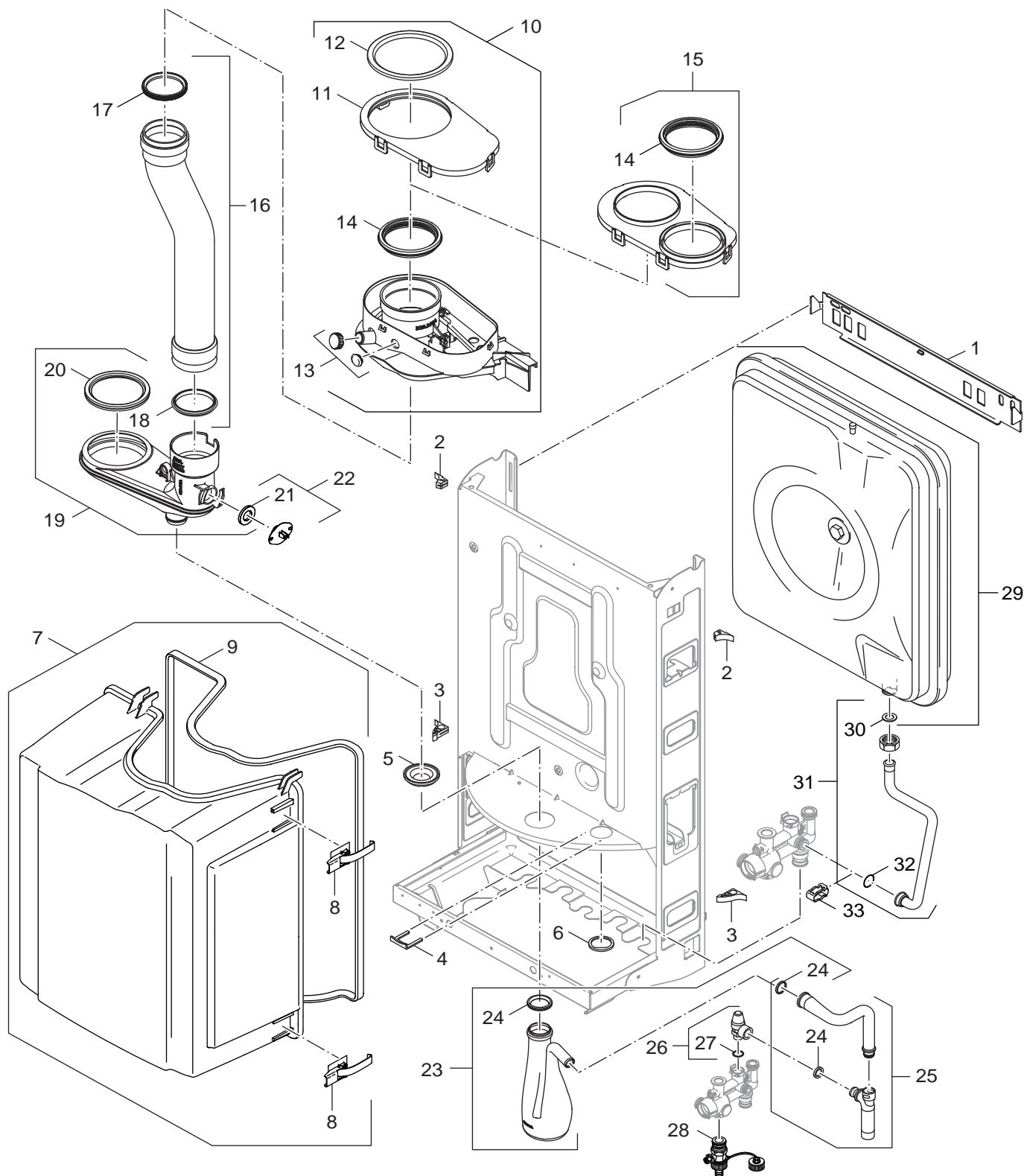
Verkleidung  
Housing

**GB132**

**1**



**Ersatzteilliste**  
**Spare parts list**



6720906068.aa.RS-Rahmen/Abgaseinheit/Ausdehnungsgefäß GB132

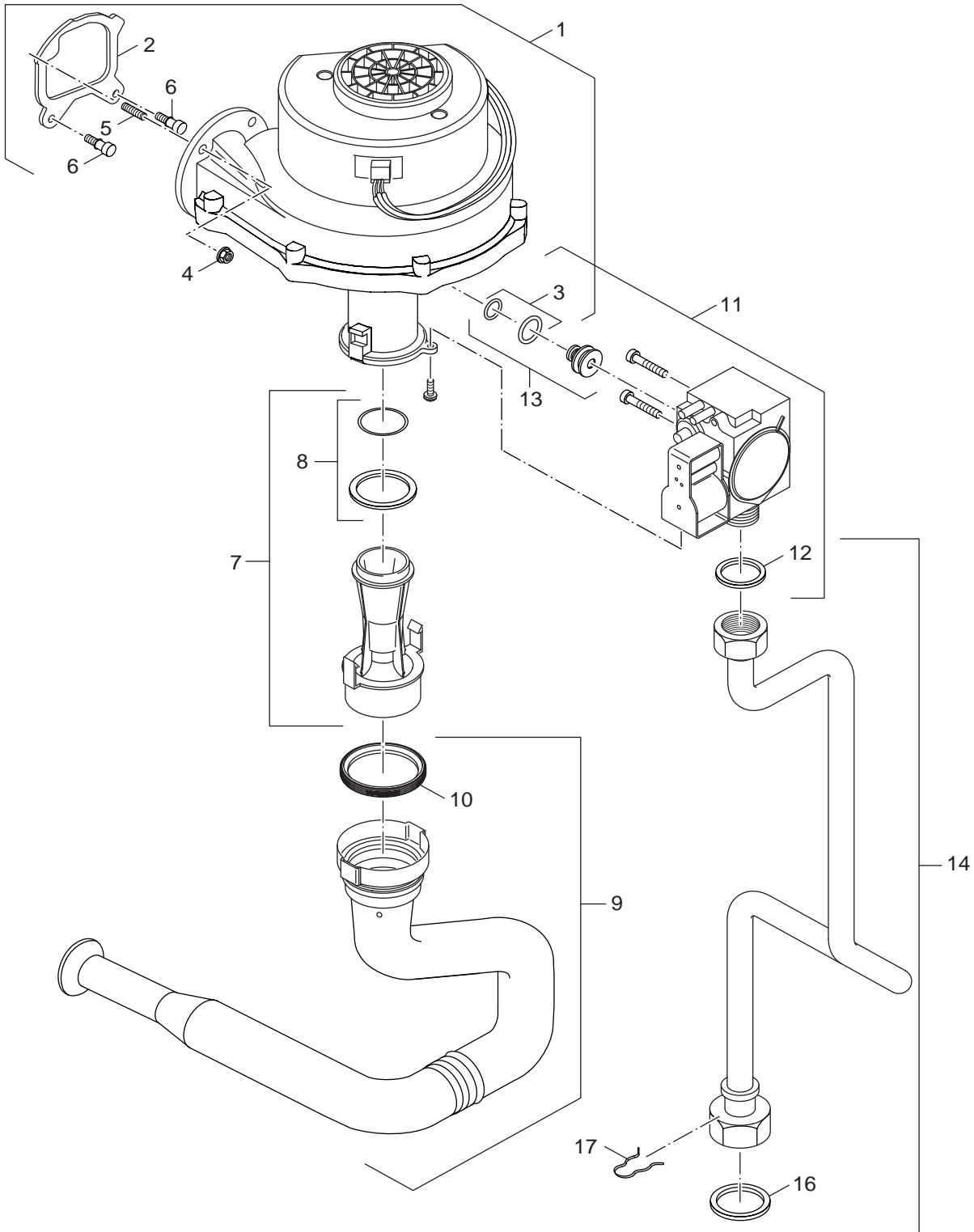
Abgaseinheit  
 Condensate drainage

**GB132**

**2**



**Ersatzteilliste**  
**Spare parts list**



6720906069.aa.RS-Gebläse/Gasarmatur GB132

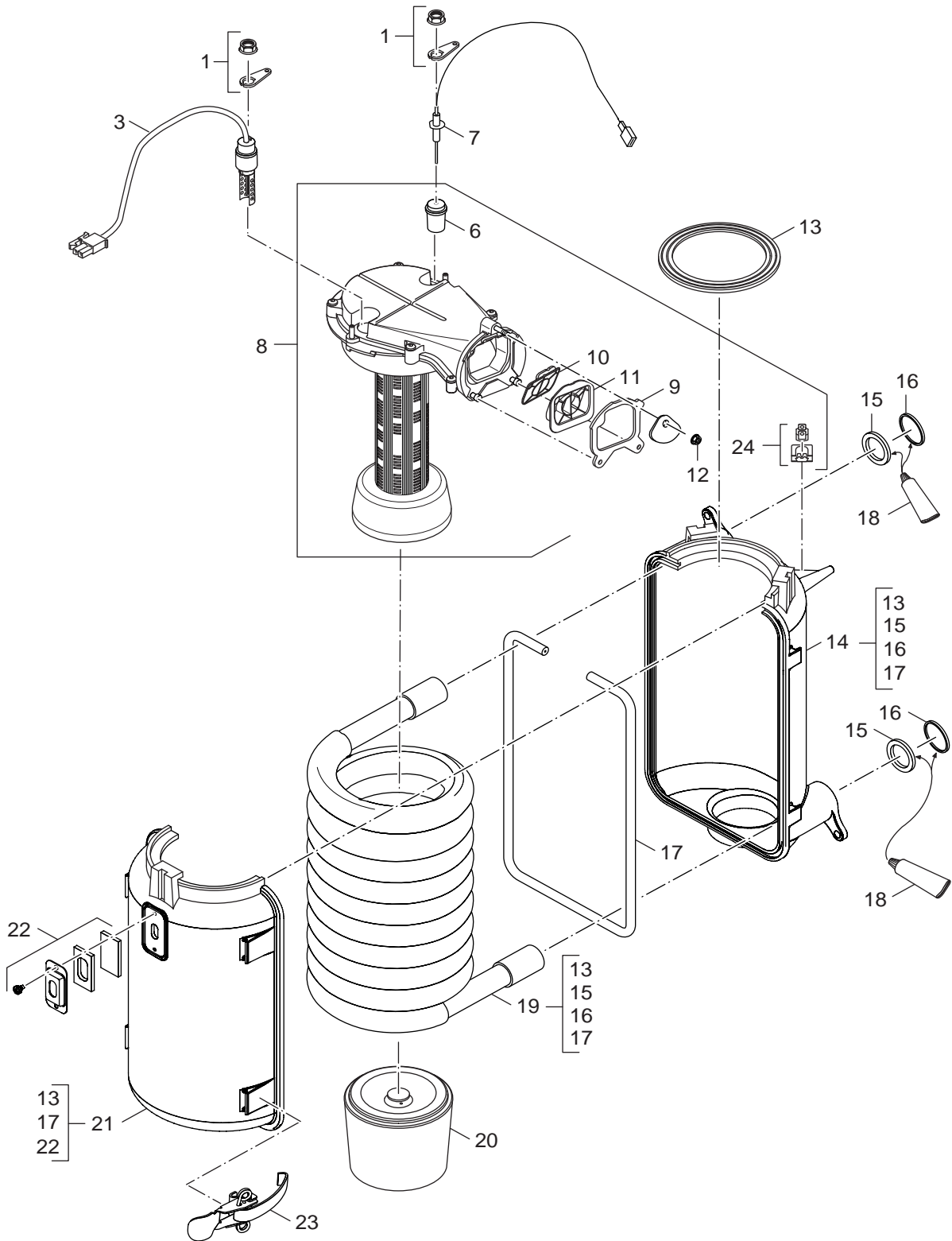
Gebälse/Gasarmatur  
fan/Gas valve

**GB132**

**3**



Ersatzteilliste  
Spare parts list



6720906071.aa.RS-Wärmetauscher/Brenner GB132

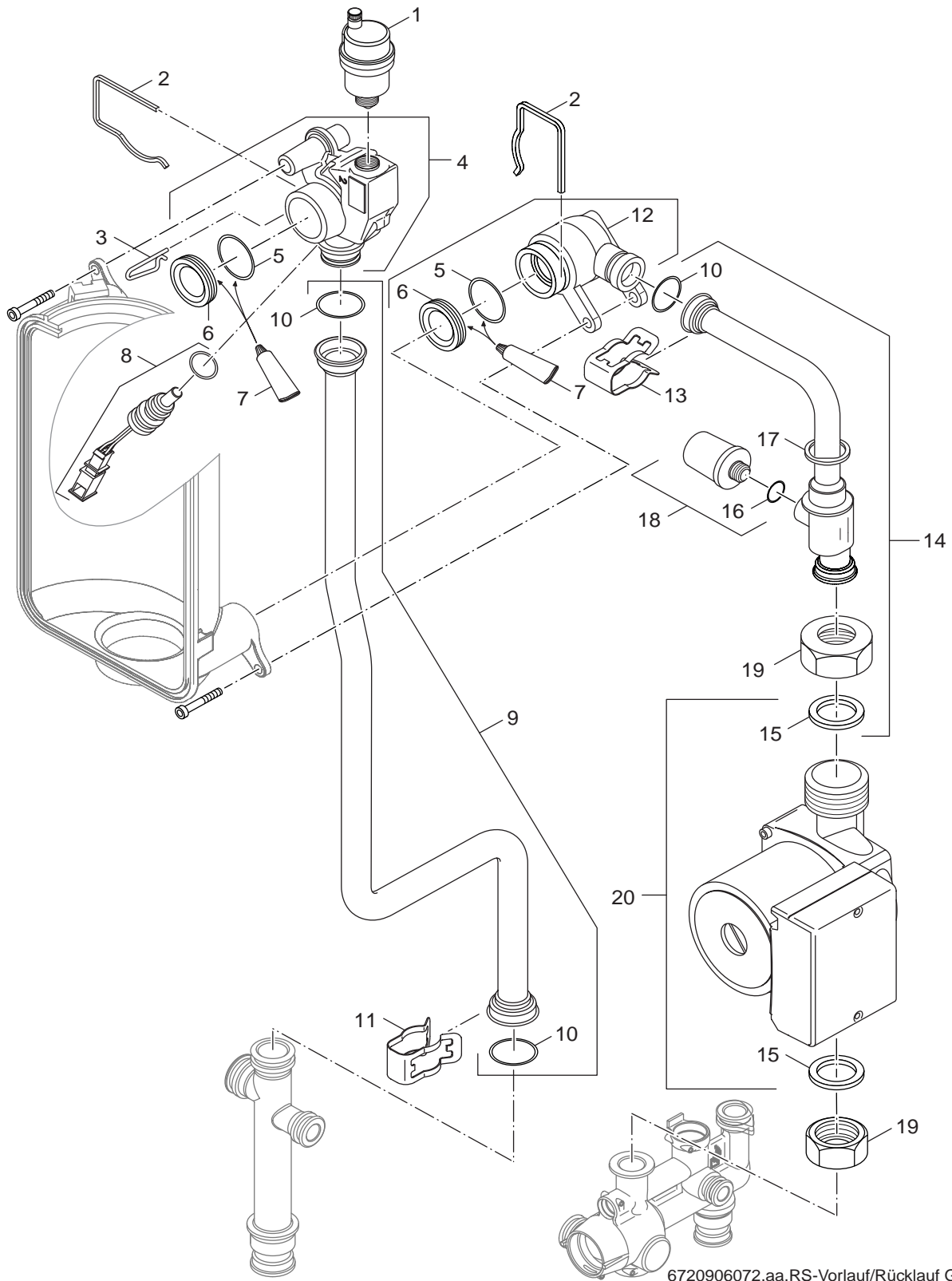
Wärmetauscher/Brenner  
heat exchanger/burner

**GB132**

**4**



**Ersatzteilliste**  
**Spare parts list**



6720906072.aa.RS-Vorlauf/Rücklauf GB132

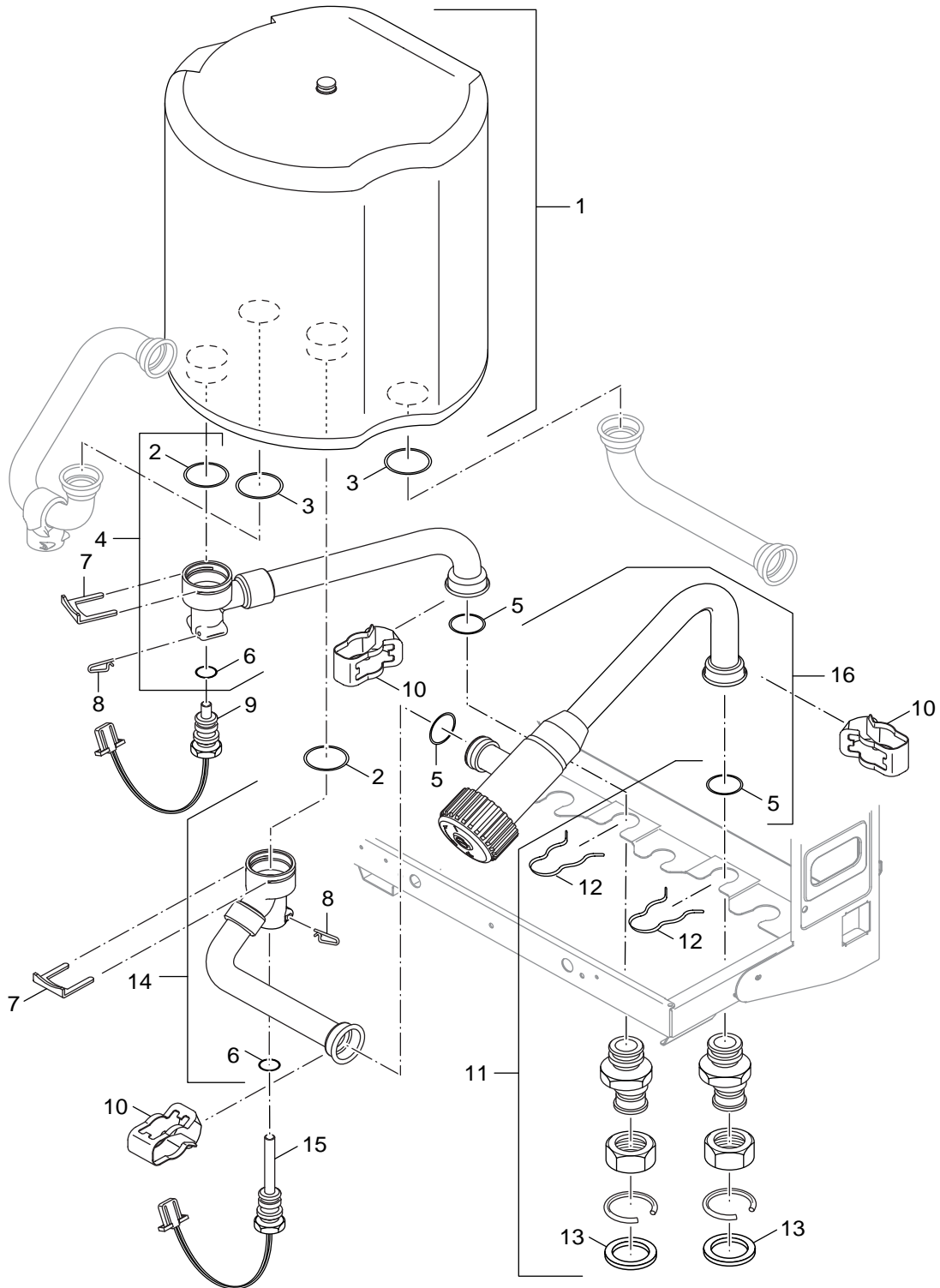
Vor/Rücklauf  
Flow/Return unit

**GB132**

**5**



**Ersatzteilliste**  
**Spare parts list**



6720906070.aa.RS-Brauchwasserwärmetauscher GB132

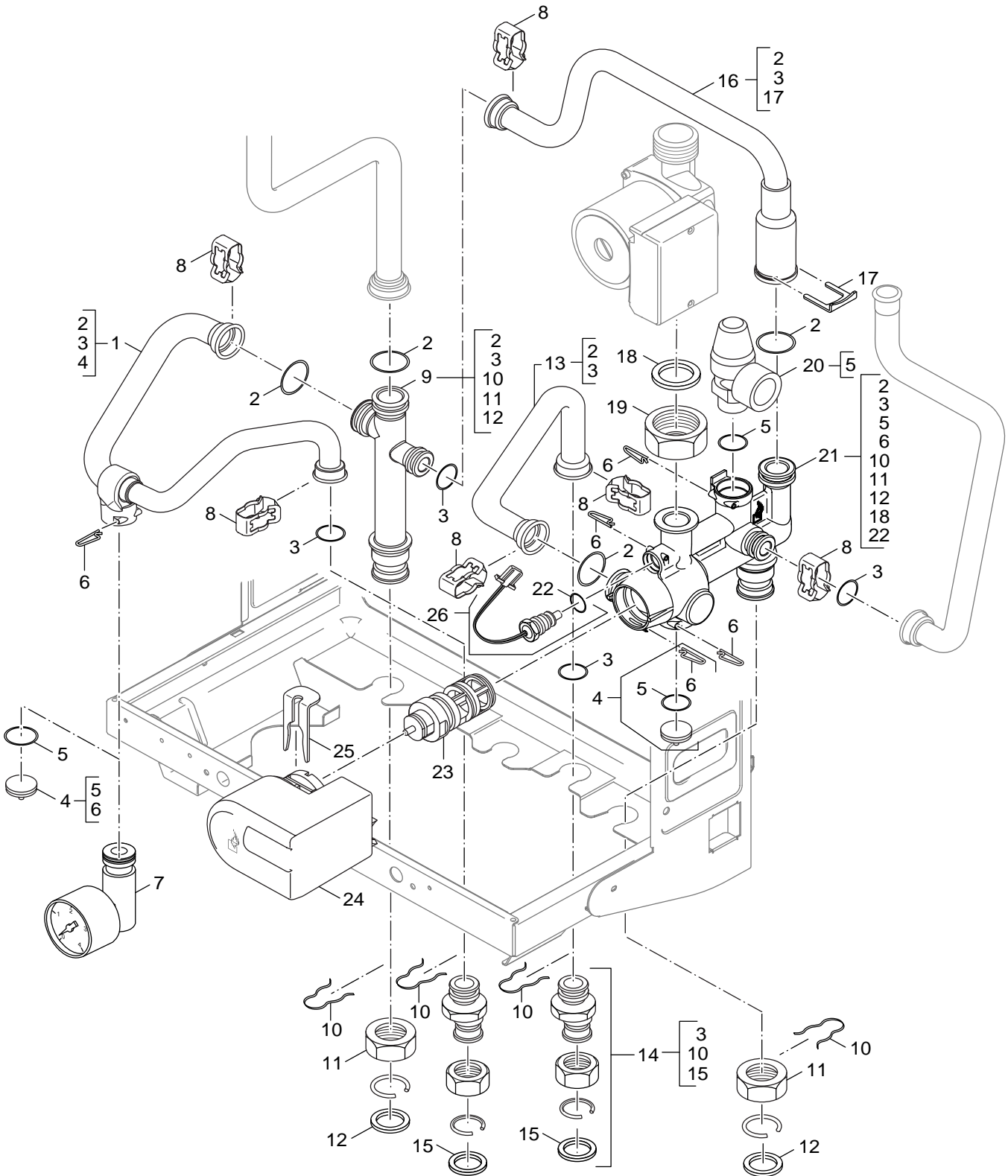
Wärmetauscher  
heat exchanger

**GB132**

**6**



Ersatzteilliste  
Spare parts list



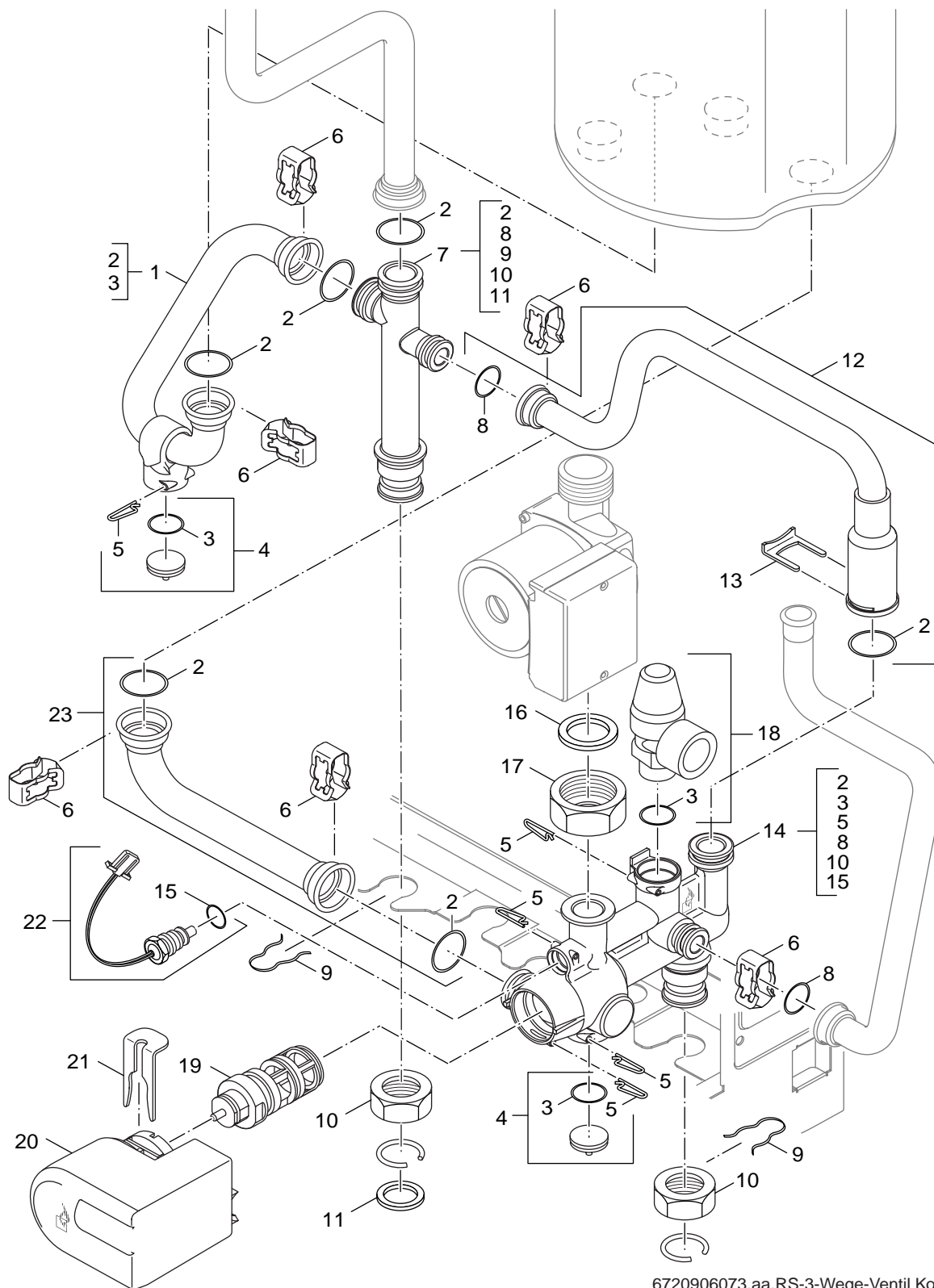
6720906074.aa.RS-3-Wege-Ventil Single GB132

**7**  
**A**  
3-Wege-Ventil Single  
3-way valve Single

**GB132**



Ersatzteilliste  
Spare parts list



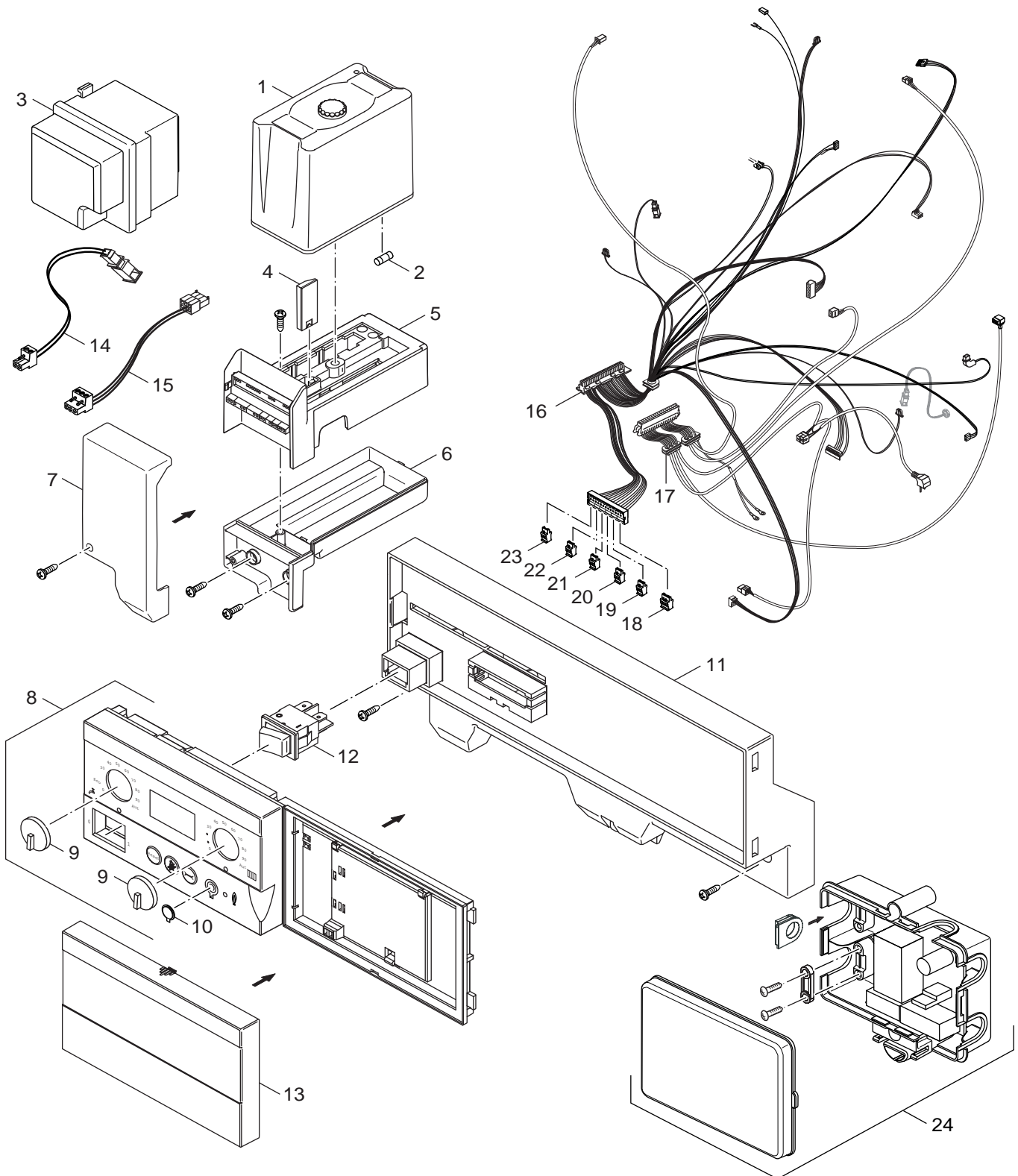
6720906073.aa.RS-3-Wege-Ventil Kombi GB132

**7**  
**B**  
3-Wege-Ventil Kombi  
3-way valve Kombi

**GB132**



**Ersatzteilliste**  
**Spare parts list**



6720906075.aa.RS-Bedieneinheit/Kabelbaum GB132

Bedienfeld/Kabelbaum  
 user interface/Cable tree

**GB132**

**8**



**Übersetzungsliste**  
**List of translations**

Pos	Description
<b>1</b>	<b>Element of construction</b>
1	Casing without Flap
2	Hex bolt M5x10 (5x)
3	Centering for Casing
4	Flap for Casing GB132
<b>2</b>	<b>Element of construction</b>
1	Holder
2	Cable entry top kit a 2 Piece
3	Cable entry bottom (2x)
4	Support clip for pipe connection (4x)
5	Gasket kit gas hydraulics
6	Sealing ring (10x)
7	Cover vacuum chamber
8	Clamp (2x) vacuum chamber
9	Gasket for cover vacuum chamber
10	Boiler connection piece concentric
11	Cover for conc. connector
12	Lip gasket DN125
13	plugs kit
14	Sealing ring D80 (2x)
15	Cover for double pipe connection
16	Condensation header Flue pipe with
17	Gasket Flue pipe D60
18	Lip gasket D60 for condensation header
19	Condensation header
20	Gasket condensate header flue gas line
21	Gasket Sensor condensation header
22	Sensor Flue gas with Gasket
23	Siphon for GB132
24	Gasket set syphon safety valve
25	Pipe connection Siphon Safety valve for
26	Safety valve 3 bar plug and socket
27	O-ring 16x2 (5x)
28	Fill and Drain valve
29	Expansion vessel 12 litres
30	Flat gasket 1/2" (10x)
31	Pipe connection expansion vessel
32	O-ring 14,48x2,62 (10x)
33	Clip with Spring (5x)
<b>3</b>	<b>Element of construction</b>
1	fan GB132 V3
2	sealing fan V2
3	O-ring kit gas nozzle
4	Nut M5 toothed self-retaining
5	Threaded stud M5x20 with hex socket
6	Round-head bolt M5x20
7	Air nozzle for G20 and G25
8	Flat gasket kit for air nozzle
9	Fan air supply pipe with Gasket
10	Gasket inlet pipe (5x) Nr.111.069A
11	Valve Gas 848 Sigma
12	Seal set (5 pcs)
13	Gas orifice 2E (G20) m Gasket
14	Pipe Gas
16	Flat gasket 1" (5x)
17	Spring Plug D18,5 (5x)
	LPG Conversion kit GB132 3P, G31

**Übersetzungsliste**  
**List of translations**

Pos	Description
<b>4</b>	<b>Element of construction</b>
1	Handle Ionisation electrode / heat
3	Ignition Hot Surface
6	Gasket for Ionisation electrode (5x)
7	Ionisation electrode for GB112
8	SERVICE SET GA Supply
9	sealing fan V2
10	Anti-Hammer Valve BK13 V3
11	non-return valve BK13 V2 GB022
12	Nut M5 toothed self-retaining
13	Burner gasket
14	Heat_exchanger Back Side
15	Lip gasket DN36,4x24,4x6,3 (2x)
16	O-ring 26,3x5,33 (10x)
17	Seal Heat Exchanger
18	Silicone special, tube 25gr
19	Heat_exchanger Spiral C2
20	Diverting hood
21	Heat_exchanger Front Side
22	Viewing hole window for GB132
23	Clamp (2x)
24	MAX THERMOSTAT WITH CLIP
<b>5</b>	<b>Element of construction</b>
1	Air vent automatic 10 bar
2	Locking device spiral finned tube heat
3	Spring Plug (5x) (220.030A)
4	Connector flow
5	O-ring 26,3x5,33 (10x)
6	Lip gasket DN36,4x24,4x6,3 (2x)
7	Silicone special, tube 25gr
8	Sensor flow
9	Pipe flow heat exchanger GB132
10	O-ring 18.72 x2.62 (10x)
11	Support clip 18mm
12	Connector Return
13	Support terminal (5x) )(320.031A)
14	Pipe return pump heat exchanger GB132
15	Gasket 1" rubber (5x)
16	O-ring 14x1,78 EPDM (5x)
17	Sealing ring (10x)
18	Limiter Pressure gauge type 505.99017
19	Union nut
20	Pump UPER-15-130
<b>6</b>	<b>Element of construction</b>
1	Process water heat exchanger GB132 WK
2	O-ring 17,12x2,62 kit a 10 Piece
3	O-ring 18.72 x2.62 (10x)
4	Pipe connection process water heat
5	O-ring 14,48x2,62 (10x)
6	O-ring 9,25x1,78 (10x)
7	Support clip for pipe connection (4x)
8	Spring Plug (5x) (220.030A)
9	Flow/return Domestic hot water Sensor
10	Clip with Spring (5x)
11	Connector GB132
12	Spring Plug D18,5 (5x)
13	Flat gasket 1/2" (10x)

**Übersetzungsliste**  
**List of translations**

Pos	Description
14	Pipe connection process water heat
15	Hot water standby sensor
16	Flow limiter with O-ring
<b>7A</b>	<b>Element of construction</b>
1	Pipe flow cylinder/boiler GB132
2	O-ring 18,72 x2,62 (10x)
3	O-ring 14,48x2,62 (10x)
4	Plug / Gasket / Clip GB132
5	O-ring 16x2 (5x)
6	Spring Plug (5x) (220.030A)
7	Pressure gauge/manometer 4 bar GB132
8	Clip with Spring (5x)
9	Connection piece heating/cylinder flow
10	Spring Plug D18,5 (5x)
11	Union nut 3/4" for 3-way union
12	Flat gasket 3/4" (10x)
13	Pipe return cylinder (Single)
14	Connector GB132
15	Flat gasket 1/2" (10x)
16	Bypass 250 mbar GB132
17	Support clip for pipe connection (4x)
18	Gasket 1" rubber (5x)
19	Union nut
20	Safety valve 3 bar plug and socket
21	Three-way valve without drive GB132
22	O-ring 9,25x1,78 (10x)
23	Insert for Three-way valve
24	Drive for Three-way valve
25	Retaining bracket 3-way valve motor
26	Flow/return Domestic hot water Sensor
<b>7B</b>	<b>Element of construction</b>
1	Pipe flow cylinder GB132
2	O-ring 18,72 x2,62 (10x)
3	O-ring 16x2 (5x)
4	Plug / Gasket / Clip GB132
5	Spring Plug (5x) (220.030A)
6	Clip with Spring (5x)
7	Connection piece heating/cylinder flow
8	O-ring 14,48x2,62 (10x)
9	Spring Plug D18,5 (5x)
10	Union nut 3/4" for 3-way union
11	Flat gasket 3/4" (10x)
12	Bypass GB132
13	Support clip for pipe connection (4x)
14	Three-way valve without drive GB132
15	O-ring 9,25x1,78 (10x)
16	Gasket 1" rubber (5x)
17	Union nut
18	Safety valve 3 bar plug and socket
19	Insert for Three-way valve
20	Drive for Three-way valve
21	Retaining bracket 3-way valve motor
22	Flow/return Domestic hot water Sensor
23	Pipe connection process water return
<b>8</b>	<b>Element of construction</b>
1	Control_box UBA3
2	Fine wire fuse 2,5 AT/220V (Set 10 Unit)







Bosch Thermotechnik GmbH  
Sophienstraße 30-32  
D-35576 Wetzlar  
[www.buderus.de](http://www.buderus.de)

**Buderus**