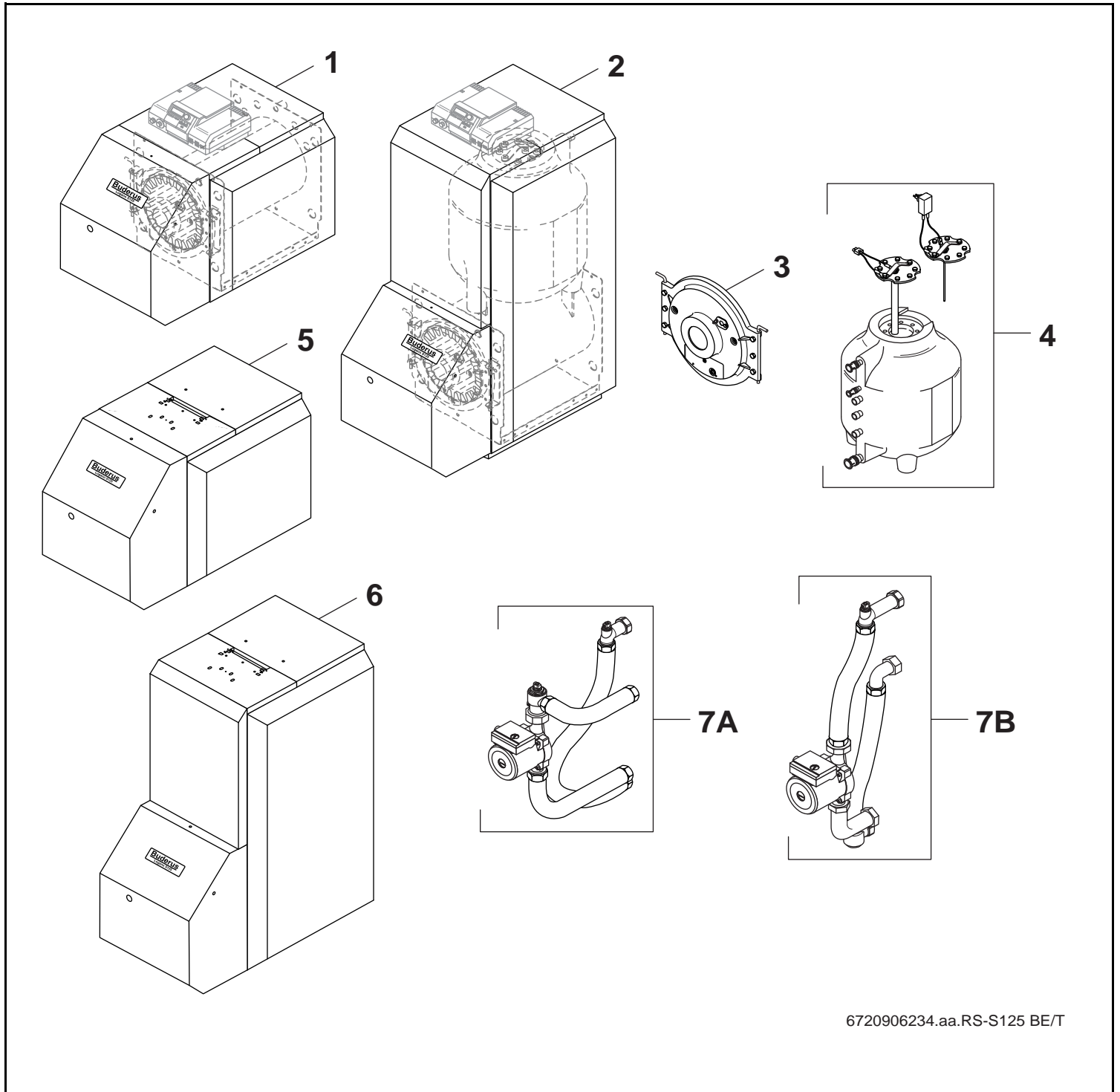


# Logano S125 U/UT



6720906234.aa.RS-S125 BE/T

# Buderus



### Wichtige Hinweise

- Ersatzteile dürfen nur von einem zugelassenen Installateur eingebaut werden!
- Im Anhang finden Sie:
  - die Übersetzungen aller verwendeten Teilebezeichnungen
  - eine Übersicht der Gerätetypen und Länder, für die diese Ersatzteilliste gilt.

### Important notes

- The spare parts may only be installed by an approved installer!
- In the appendix you will find:
  - a list of translations of the names of all parts used
  - a list of the models and countries to which this spare parts list applies.

### Indications importantes

- L'installation des pièces de rechange doit être effectuée par un professionnel qualifié!
- Veuillez trouver en annexe:
  - les traductions de toutes les désignations des pièces utilisées
  - une vue globale des types de chaudières et des pays pour lesquels la présente liste des pièces de rechange est valable.

### Informações importantes

- Peças de substituição só podem ser montadas por um técnico credenciado!
- Em anexo encontra:
  - as traduções das designações de todas as peças utilizadas.
  - lista dos aparelhos e países para os quais esta lista de peças de substituição é válida.

### Avvertenze importanti

- Le parti di ricambio possono essere montate esclusivamente da personale qualificato ed in possesso dei requisiti tecnico-professionali!
- In appendice sono reperibili:
  - traduzione di ogni descrizione relativa alle varie parti di ricambio
  - elenco di sigle e codici, corrispondente ai vari paesi di destinazione.

### Indicaciones importantes

- Los repuestos solamente deben ser montados por los servicios técnicos oficiales de la marca!
- En el anexo podrá encontrar:
  - la traducción de todas las denominaciones de piezas empleadas
  - una relación de los tipos de aparato y países en los que se aplica esta lista de repuestos.

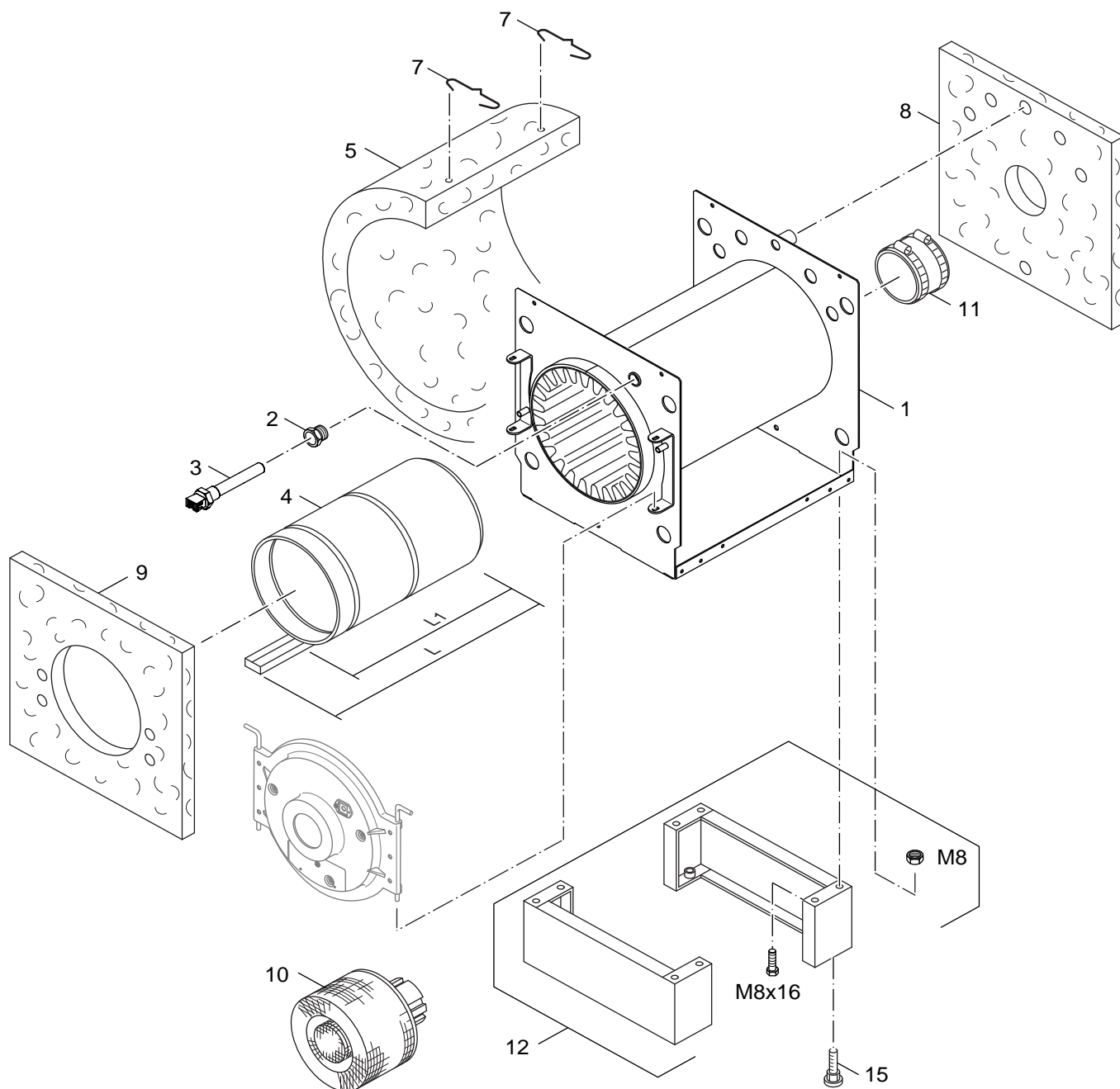
### Belangrijke aanwijzing

- Onderdelen mogen alleen door een erkend installateur worden vervangen!
- In de bijlage vindt u:
  - de vertalingen van de gebruikte onderdelentekeningen
  - een overzicht van toesteltypen en de landen waarvoor deze onderdelenlijst bedoeld is.

### Önemli Bilgiler

- Yedek parçalar sadece yetkili tesisatçılar tarafından monte edilebilir!
- Aşağıdaki bilgileri ekli olarak bulabilirsiniz:
  - Tüm kullanılan parça tanımlarının tercümelemleri
  - Bu yedek parça listesinin geçerli olduğu tüm cihaz çeşitleri ve ülkelerin özeti.

Ersatzteilliste  
Spare parts list



1024112.aa.RS-Kesselblock S125

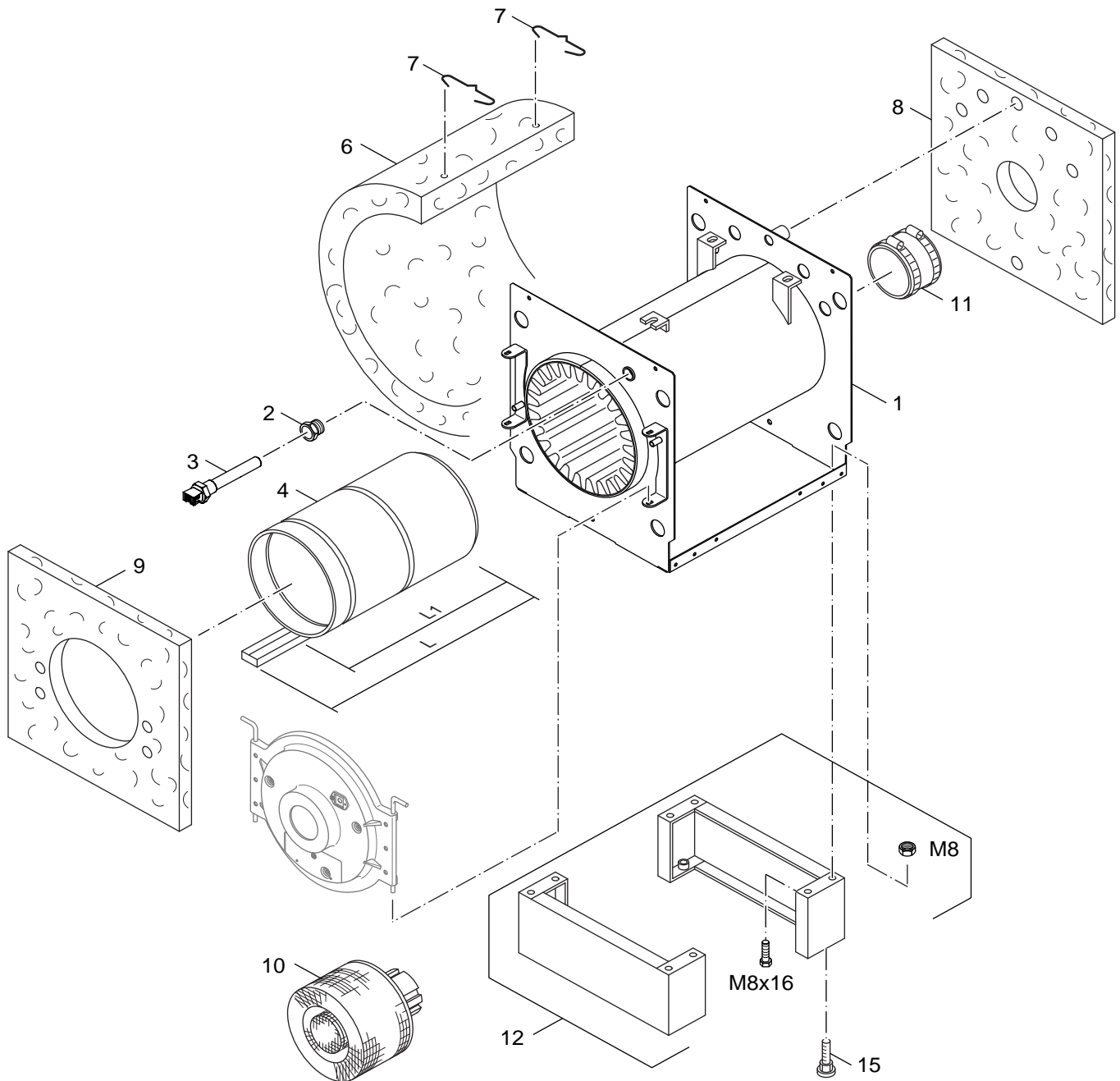
Kesselblock S125  
Boiler block S125

Logano S125 U/UT

1



**Ersatzteilliste**  
**Spare parts list**



6720906230.aa.RS-Kesselblock S125T

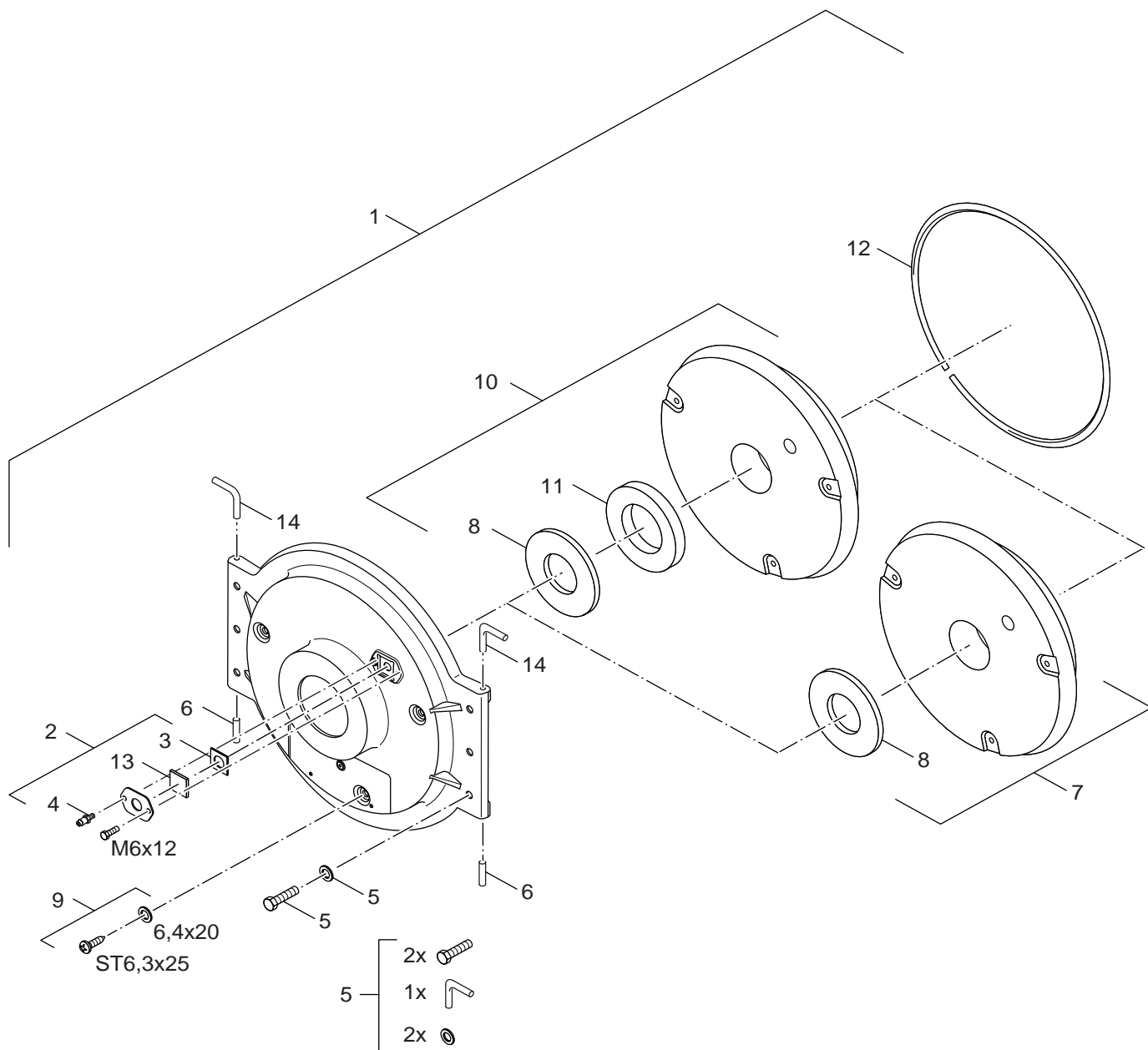
Kesselblock S125UT  
 Boiler block S125UT

**Logano S125 U/UT**

**2**



Ersatzteilliste  
Spare parts list



6720906231.aa.RS-Brennertür S125

Brennertür S125 BE  
Burner door S125 BE

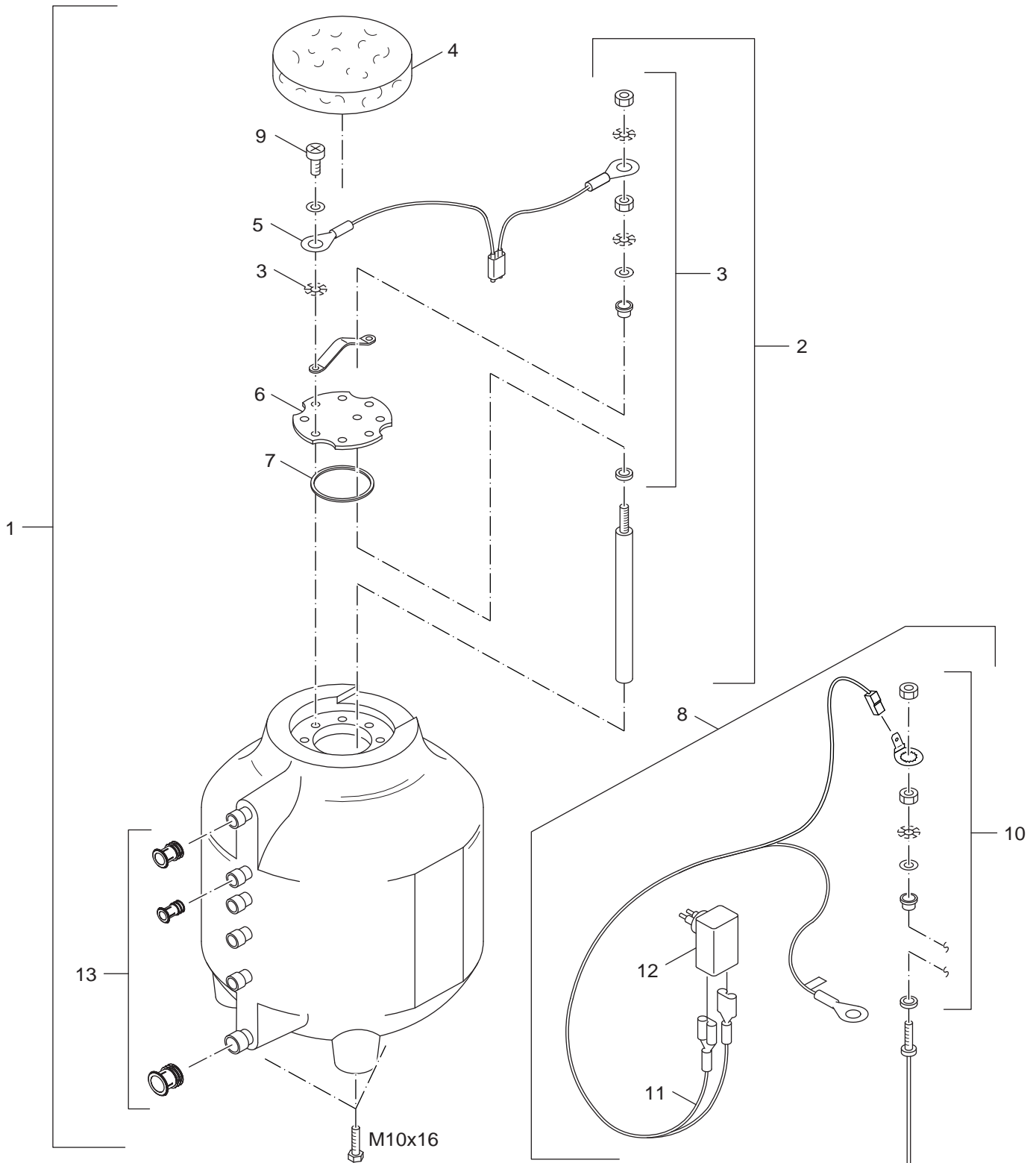
Logano S125 U/UT

**3**

Pos	Bezeichnung description	Bestell-Nr. Ordering no.	S125-17KW BE V3	S125-21KW BE V3	S125-28KW BE V3	S125-17T BE V3	S125-21T BE V3	S125-28T BE V3	S125-34KW BE	S125-34T BE									Bemerkungen Remarks
1	Brennertür kompl. S/SC115/S125 17-28kW	63015151	■	■	■	■	■	■											
1	Brennertür kompl. S115-35, S325-35/43	63015152							■	■									
2	Schaulochverschluss V3 kompl.	63023634	■	■	■	■	■	■	■	■									
3	Dichtung 30x30x3	63014382	■	■	■	■	■	■	■	■									
4	Druckmeßdüse M6 SW10 V2	63032101	■	■	■	■	■	■	■	■									
5	Montagematerial Brennertür	5340550	■	■	■	■	■	■	■	■									
6	Kerbstift DIN 1472 8x40mm (2x)	8 718 571 069 0	■	■	■	■	■	■	■	■									
7	Wärmeschutz Tür 17-28kW / 39-70kW	63007266	■	■	■	■	■	■											
8	Isoliermatte 17-70kW	63007327	■	■	■	■	■	■	■	■									
9	Montagematerial Wärmeschutz Tür kompl.	63007280	■	■	■	■	■	■	■	■									
10	Wärmeschutz Brennertür 35-43kW	63007267							■	■									
11	Wärmeschutz 25xD192xD110mm 35-70kW	63007269							■	■									
12	Dichtschnur GPO 15x1150mm lang	63020969	■	■	■	■	■	■											
12	Dichtschnur GPO 15x1400mm lang	63020970							■	■									
13	Glasscheibe 30x30x3,3	7 747 021 876	■	■	■	■	■	■	■	■									
14	Scharnierbolzen D8x45/45mm	5340452	■	■	■	■	■	■	■	■									

<b>Logano S125 U/UT</b>	Brennertür S125 BE Burner door S125 BE	<b>3</b>
-------------------------	---	----------

**Ersatzteilliste**  
**Spare parts list**



6720906232.aa.RS-Speicher S125T

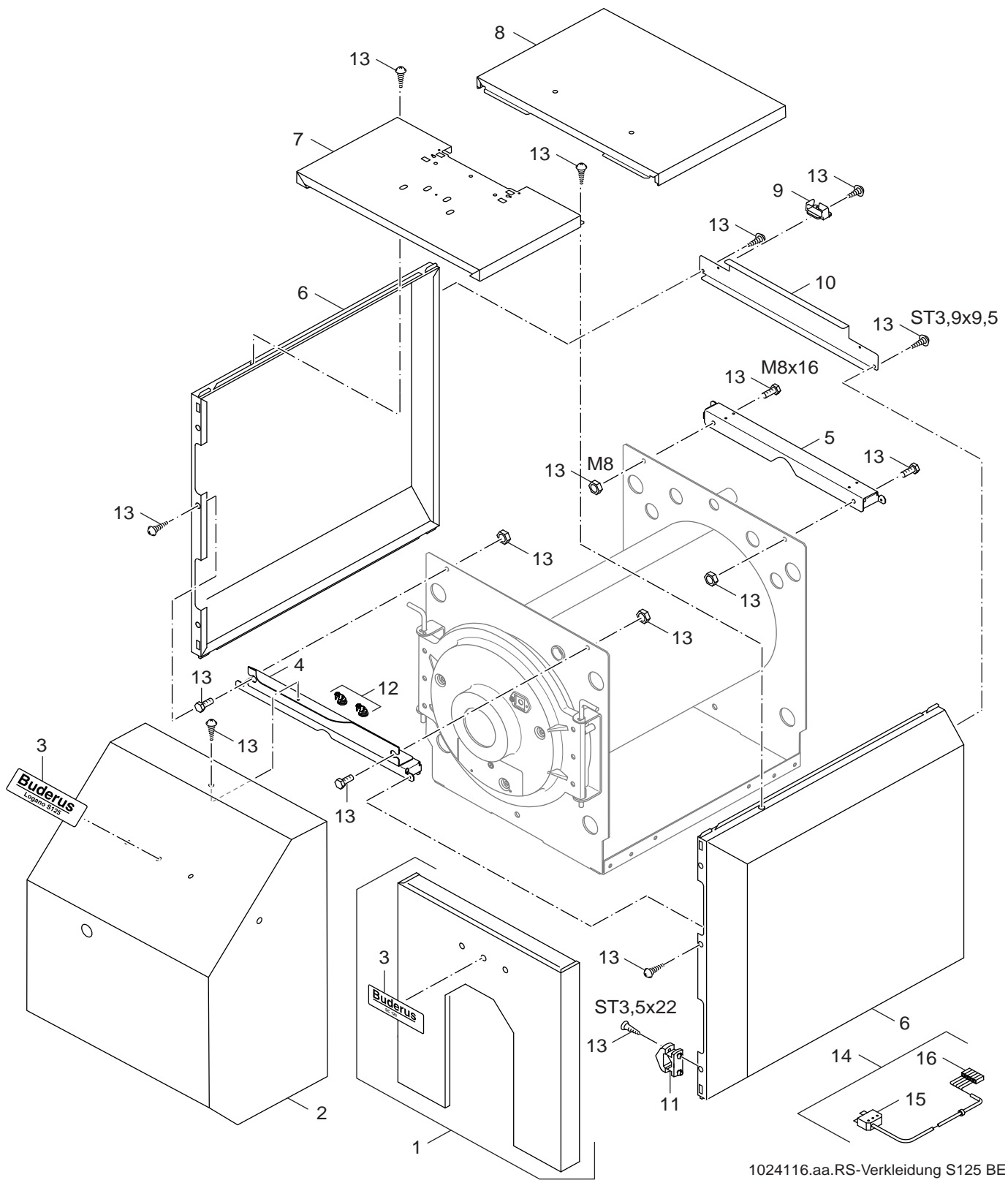
Speicher S125T  
Storage tank S125T

**Logano S125 U/UT**

**4**



Ersatzteilliste  
Spare parts list



1024116.aa.RS-Verkleidung S125 BE

Verkleidung S125 BE  
front shell S125 BE

Logano S125 U/UT

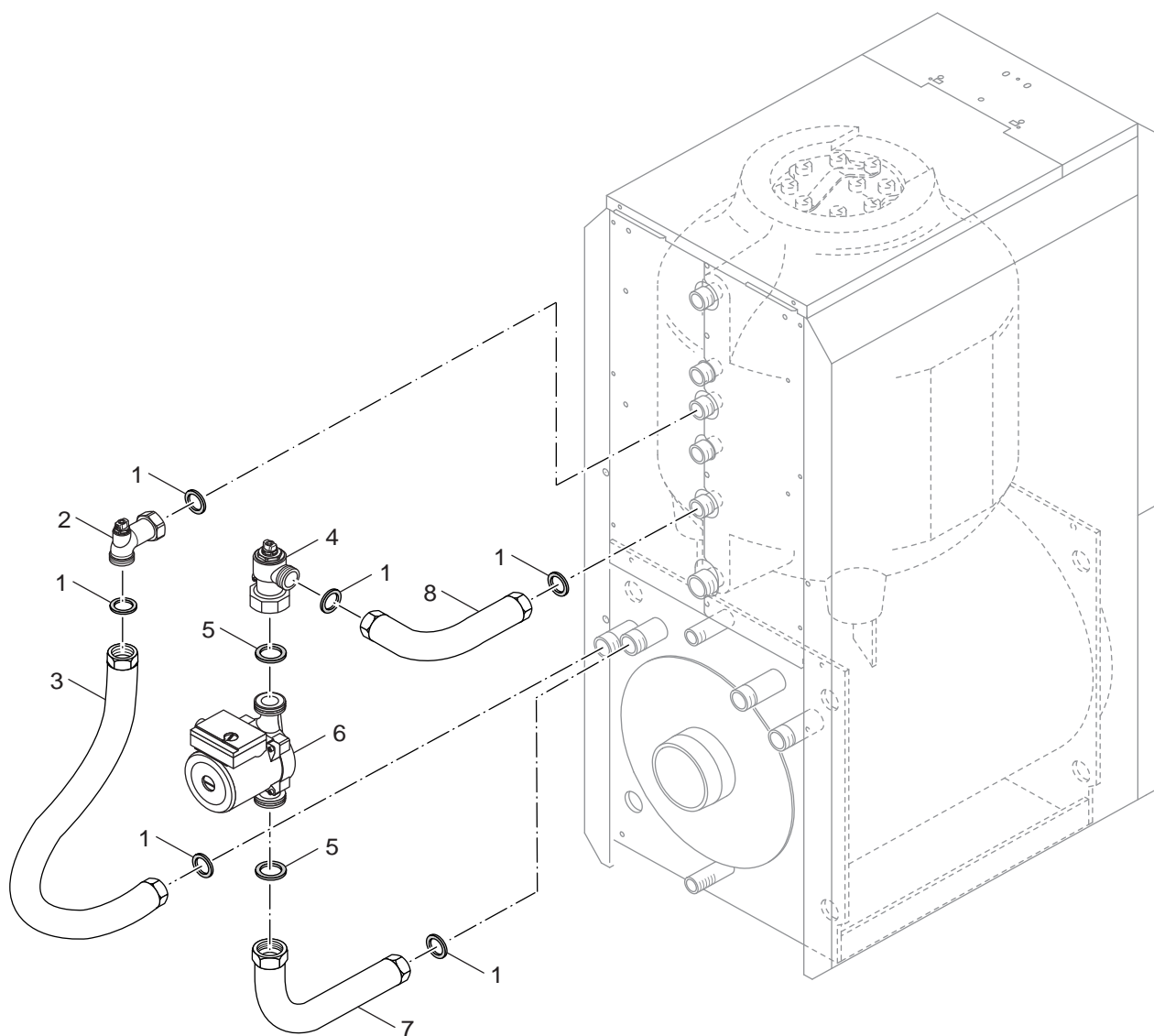
5







**Ersatzteilliste**  
**Spare parts list**



1024115.aa.RS-Rohrgruppe S115/S125 - 17-28kW T150

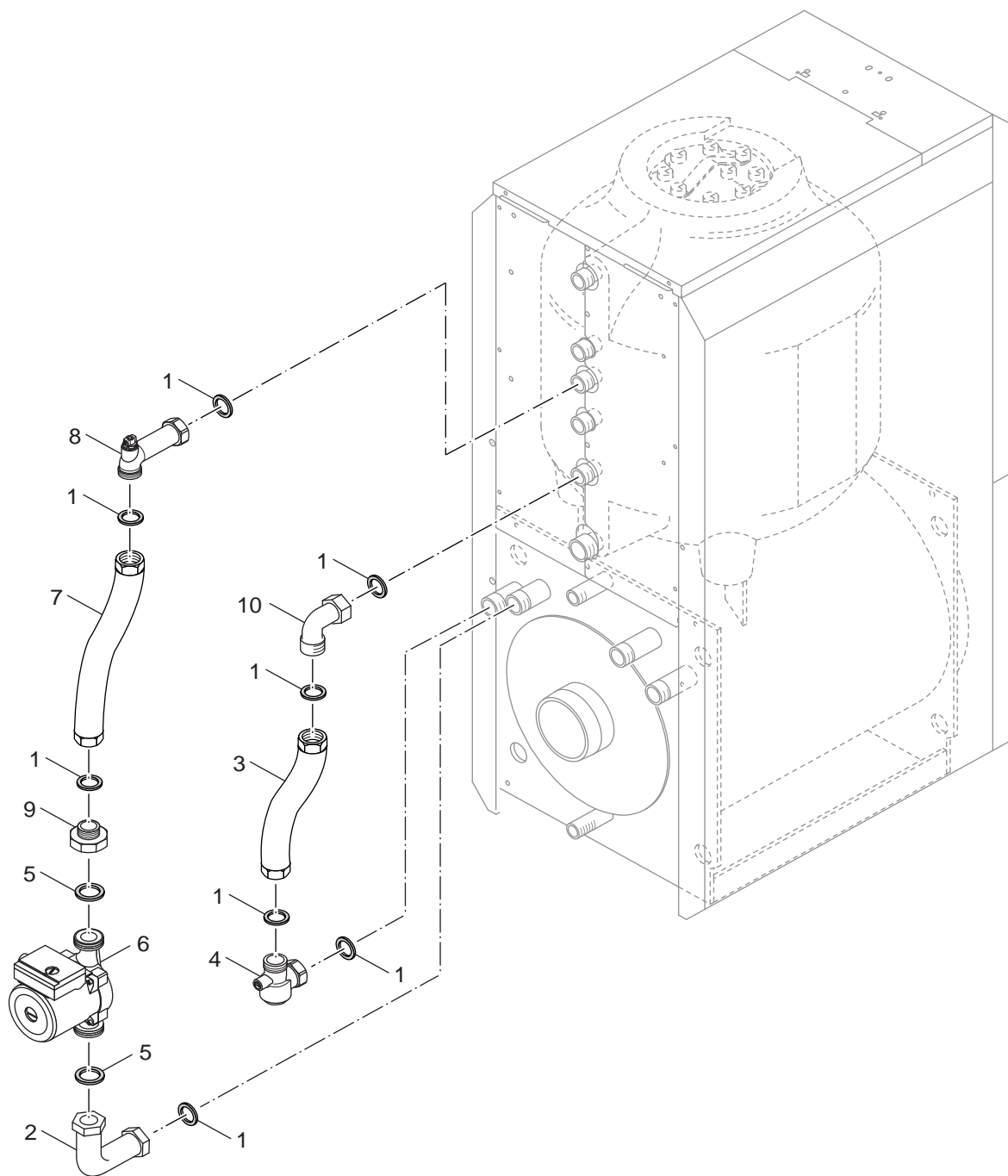
**7**  
 Rohrgruppe S115/S125 17-28kW T150  
 pipe assembly S115/S125 17-28 T150

**Logano S125 U/UT**

**A**



**Ersatzteilliste**  
**Spare parts list**



6720905485.aa.RS-Rohrgruppe S115/S125 - 34/35kW T150

**7** Rohrgruppe S115/S125 34/35kW T150  
 pipe assembly S115/S125 34/35kW T150

**Logano S125 U/UT**

**B**



**Übersetzungsliste**  
**List of translations**

Pos	Description
<b>1 Element of construction</b>	
1	Boiler block S115/S125-17KW V3 spare
2	Red-nipple Rp 3/4xG1/4 MS
3	Sensor boiler G1/4 75 D=11
4	Combustion chamber S115-21KW BE/TE
5	Thermal insu boiler block 34-35kW
7	Retaining spring (10Pc)
8	Thermal insulation rear panel 34-35kW
9	Thermal insulation front panel 34-35kW
10	Flue gas silencer size S115/S125 17-28kW
11	Flue pipe sealing collar DN130
12	boiler base, boiler S115/S125 size 17-28
15	Inst-mat S115/S125/TT11 (Set 4 St.)
<b>2 Element of construction</b>	
1	Boiler block S115/125-28T replace V3
2	Red-nipple Rp 3/4xG1/4 MS
3	Sensor boiler G1/4 75 D=11
4	Combustion chamber S115-21KW BE/TE
6	Thermal insulation 17-21kW
7	Retaining spring (10Pc)
8	Thermal insulation rear panel 34-35kW
9	Thermal insulation front panel 34-35kW
10	Flue gas silencer size S115/S125 17-28kW
11	Flue pipe sealing collar DN130
12	boiler base, boiler S115/S125 size 17-28
15	Inst-mat S115/S125/TT11 (Set 4 St.)
<b>3 Element of construction</b>	
1	Burner door S/SC115/S125 size 17-28kW
2	Viewing hole lock V3 compl.
3	Gasket 30x30x3
4	Measuring nozz M6 SW10 V2
5	installation material burner door
6	Rivet DIN 1472 8x40mm (2pieces)
7	Thermal insulation burner door
8	Insulating mat set size 17-70kW
9	Install material thermal insulation door
10	insulation Burner door size 35-43kW
11	insulating blanket 25xD192xD110mm 35-70
12	Packing cords GPO 15x1150mm
13	Glass pane 30x30x3,3 repl pack
14	Hinge bolt D8x45/45mm
<b>4 Element of construction</b>	
1	DHW cylinder T150/1
2	Anode D33x400mm
3	Mounting kit magnesium anodes (10 pc)
4	Thermal insulation D260 inspection port
5	Flue gas for magnesium anode
6	Manhole cover D210mm
7	Sealing ring 120x152x10
8	Inert anode UP 400mm
9	thread-forming screws M10 set (8x)
10	Mounting kit inert anodes (5 pack)
11	Connecting cable 3500mm long with
12	Plug potentiostat UP 19H for AMP plug
13	Sleeve R3/4x35
<b>5 Element of construction</b>	
1	Cover S125 17-28 cpl verp

**Übersetzungsliste**  
**List of translations**

Pos	Description
2	Burner hood SC115/S125 17-28 SE/Eco
3	Badge Logano S125/S125T
4	Cross brace front 17-28kW
5	cross beam rear 17-28kW
6	Side panel rear SC115/S125 17/21KW
7	Hood front 34-35kW
8	Hood rear 34-35kW
9	Cable clip
10	Rear panel SC115 size 17-28kW
11	Cover terminal Strain relief
12	Strain relief for connecting lead
13	installation material casing SC115/S125
14	Burner cabel 2350mm long
15	Connector part ST18/7 silver-plated
16	Connecting terminal 7-polig green BR
<b>6</b>	<b>Element of construction</b>
1	Cover S125 17-28 cpl verp
2	Burner hood SC115/S125 17-28 SE/Eco
3	Badge Logano S125/S125T
4	Fuse corner burner hood SC115/S125
5	Cross brace front S115T/SC115T/S125T
6	cross beam rear 17-28kW
7	Side panel S115T/SC115T/S125T
8	Front top SC115T/S125T - 17-28KW
9	Hood front 34-35kW
10	Hood rear 34-35kW
11	Rear panel right/left S115UT/S125
12	Cable clip
13	Cover terminal Strain relief
14	Strain relief for connecting lead
15	Installation-material casing S125T
16	Burner cabel 2350mm long
17	Connector part ST18/7 silver-plated
18	Connecting terminal 7-polig green BR
<b>7A</b>	<b>Element of construction</b>
1	Gasket D24x30,5x2mm (5 pieces)
2	Elbow G1"
3	Return connection pipe bend G1"
4	Angle non-return valve G1"
5	Gasket D28x44x2mm, black (5 pc in kit)
6	Pump WILO RS25/6-3 180mm 9h Universal
7	Flow connection pipe bend G1 1/2"x G1"
8	Flow connection pipe bend G1"
<b>7B</b>	<b>Element of construction</b>
1	Gasket D24x30,5x2mm (5 pieces)
2	Elbow G1"-G1 1/2"
3	Metal corrugated hose DN25 465mm long
4	Angle non-return valve G1"-G1 1/2"
5	Gasket D28x44x2mm, black (5 pc in kit)
6	Pump WILO RS25/6-3 180mm 9h Universal
7	Metal corrugated hose DN 25 385mm long
8	Elbow G1"
9	Reducing piece G 1 1/2"-1"
10	Angle G1"





Bosch Thermotechnik GmbH  
Sophienstraße 30-32  
D-35576 Wetzlar  
[www.buderus.de](http://www.buderus.de)

**Buderus**