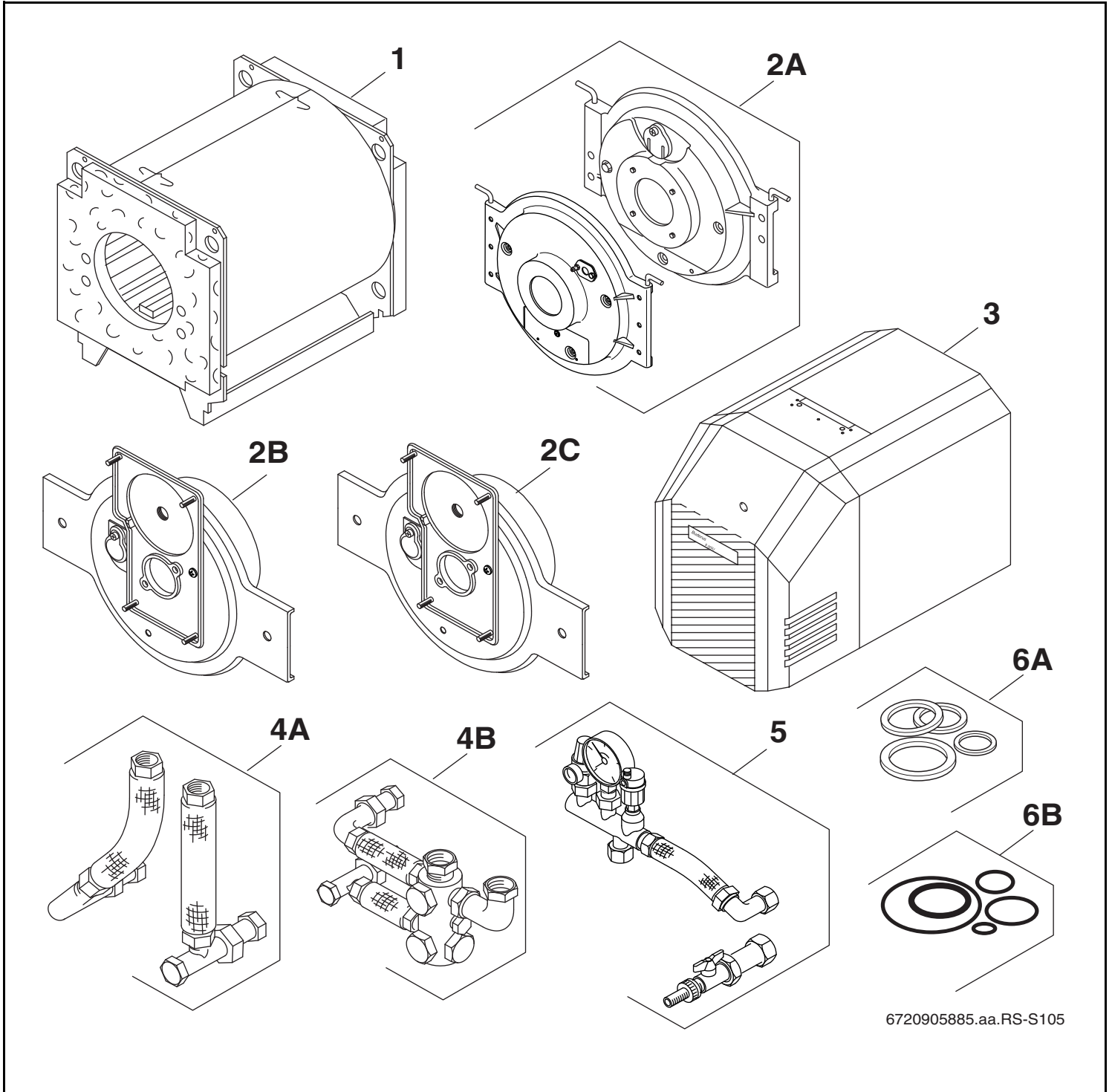


Stahlheizkessel S105 / S105U



Buderus

Wichtige Hinweise

- Ersatzteile dürfen nur von einem zugelassenen Installateur eingebaut werden!
- Im Anhang finden Sie:
 - die Übersetzungen aller verwendeten Teilebezeichnungen
 - eine Übersicht der Gerätetypen und Länder, für die diese Ersatzteilliste gilt.

Important notes

- The spare parts may only be installed by an approved installer!
- In the appendix you will find:
 - a list of translations of the names of all parts used
 - a list of the models and countries to which this spare parts list applies.

Indications importantes

- L'installation des pièces de rechange doit être effectuée par un professionnel qualifié!
- Veuillez trouver en annexe:
 - les traductions de toutes les désignations des pièces utilisées
 - une vue globale des types de chaudières et des pays pour lesquels la présente liste des pièces de rechange est valable.

Informações importantes

- Peças de substituição só podem ser montadas por um técnico credenciado!
- Em anexo encontra:
 - as traduções das designações de todas as peças utilizadas.
 - lista dos aparelhos e países para os quais esta lista de peças de substituição é válida.

Avvertenze importanti

- Le parti di ricambio possono essere montate esclusivamente da personale qualificato ed in possesso dei requisiti tecnico-professionali!
- In appendice sono reperibili:
 - traduzione di ogni descrizione relativa alle varie parti di ricambio
 - elenco di sigle e codici, corrispondente ai vari paesi di destinazione.

Indicaciones importantes

- Los repuestos solamente deben ser montados por los servicios técnicos oficiales de la marca!
- En el anexo podrá encontrar:
 - la traducción de todas las denominaciones de piezas empleadas
 - una relación de los tipos de aparato y países en los que se aplica esta lista de repuestos.

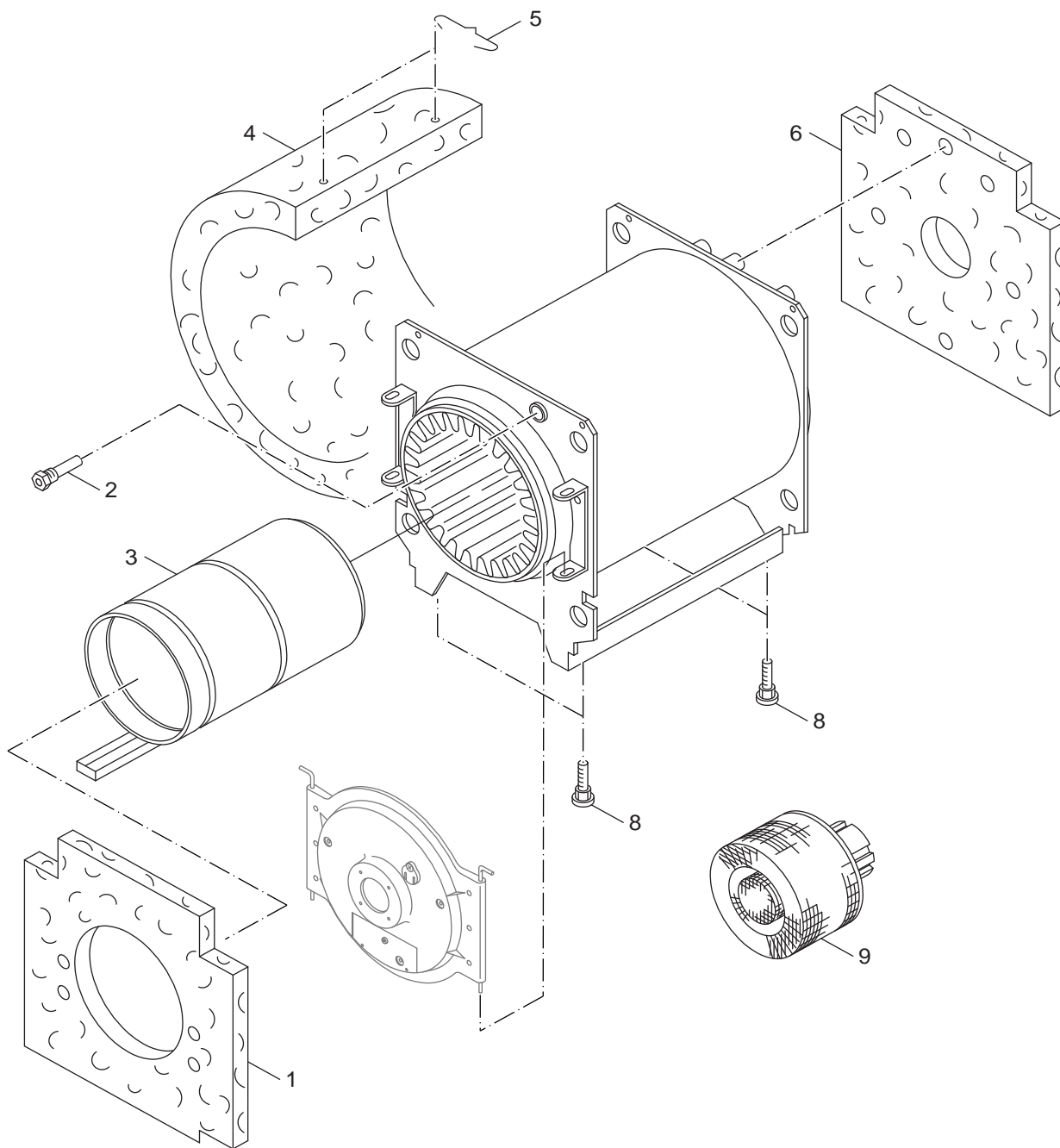
Belangrijke aanwijzing

- Onderdelen mogen alleen door een erkend installateur worden vervangen!
- In de bijlage vindt u:
 - de vertalingen van de gebruikte onderdelentekeningen
 - een overzicht van toesteltypen en de landen waarvoor deze onderdelenlijst bedoeld is.

Önemli Bilgiler

- Yedek parçalar sadece yetkili tesisatçılar tarafından monte edilebilir!
- Aşağıdaki bilgileri ekli olarak bulabilirsiniz:
 - Tüm kullanılan parça tanımlarının tercümelemleri
 - Bu yedek parça listesinin geçerli olduğu tüm cihaz çeşitleri ve ülkelerin özeti.

Ersatzteilliste
Spare parts list



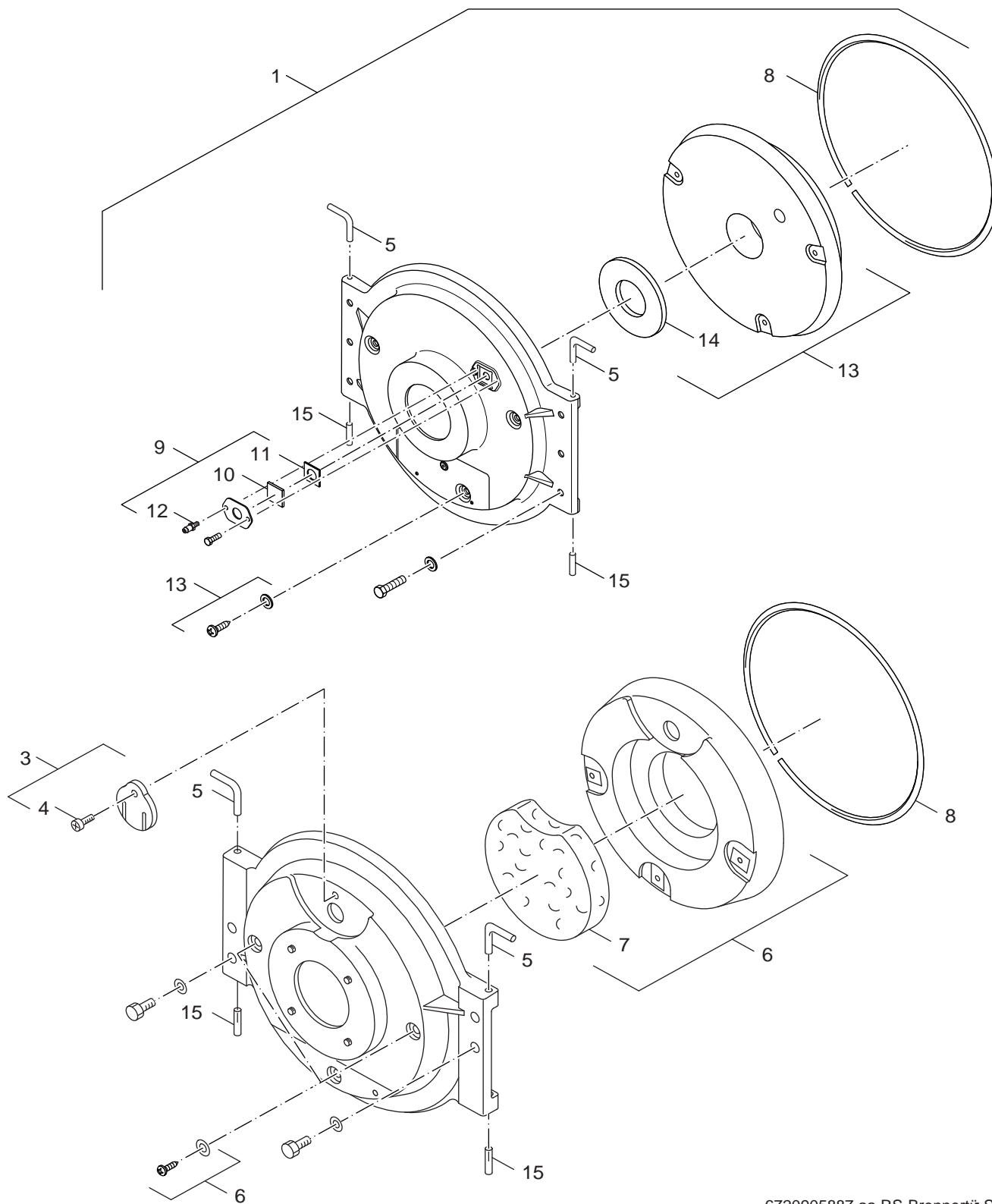
6720905886.aa.RS-Kesselblock S105/U

Kesselblock S105/U
boiler block S105/U

Stahlheizkessel S105 / S105U

1

Ersatzteilliste
Spare parts list



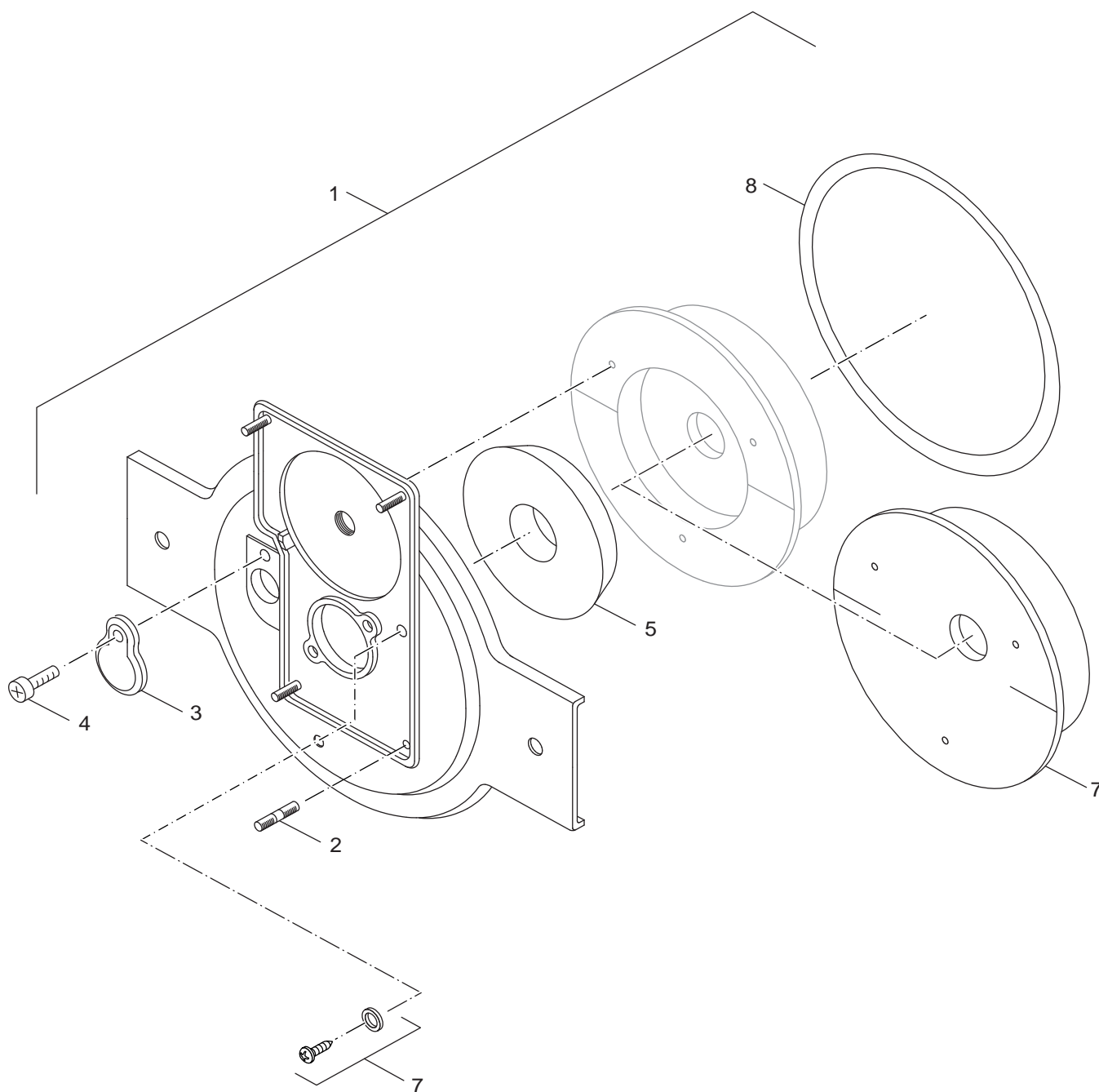
6720905887.aa.RS-Brennertür S105

2
A

Brennertür S105
Burner door S105

Stahlheizkessel S105 / S105U

Ersatzteilliste
Spare parts list

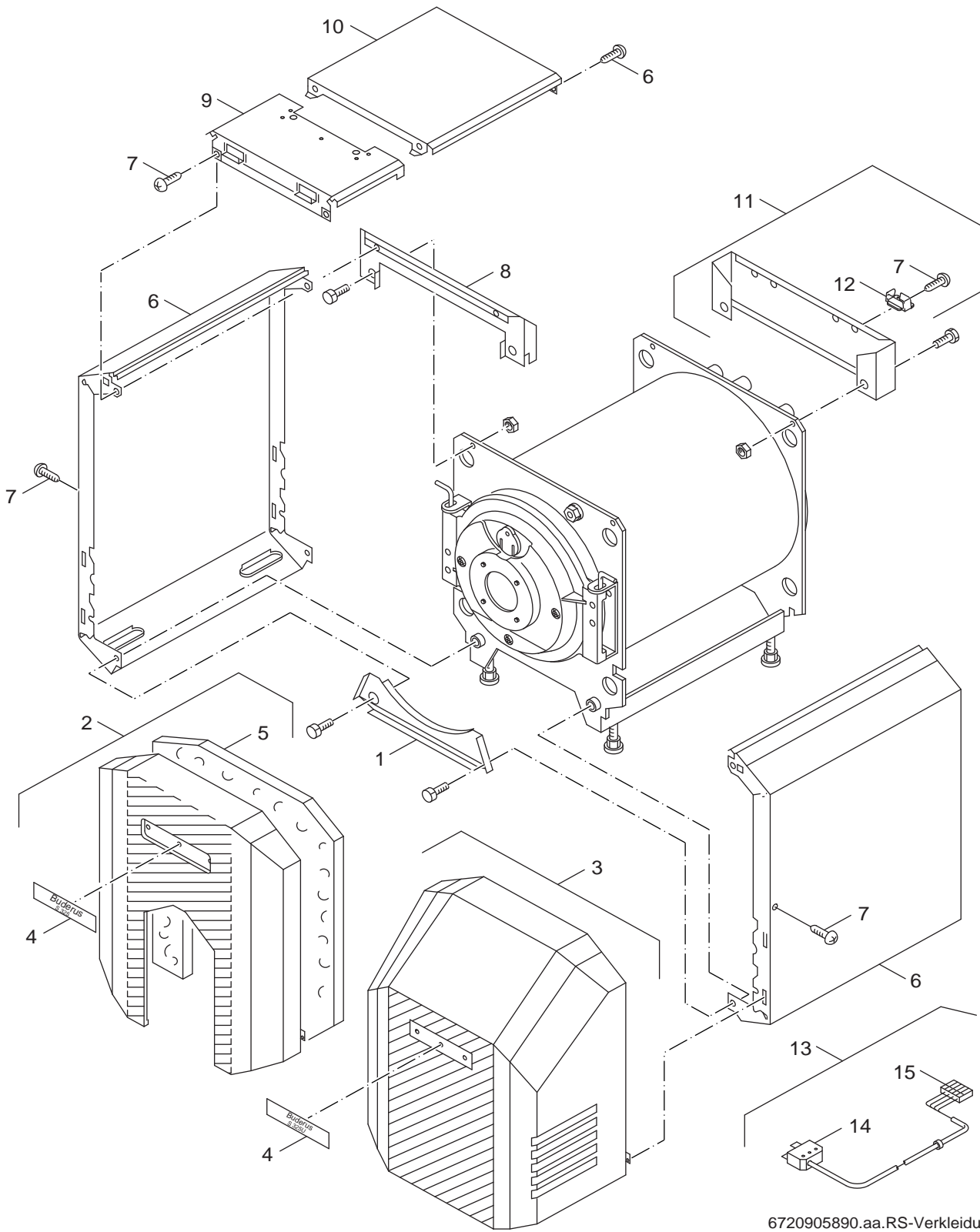


6720905888.aa.RS-Brennertür S105U BRE/RE

2
B
Brennertür S105U BRE/RE
Burner door S105U BRE/RE

Stahlheizkessel S105 / S105U

Ersatzteilliste
Spare parts list



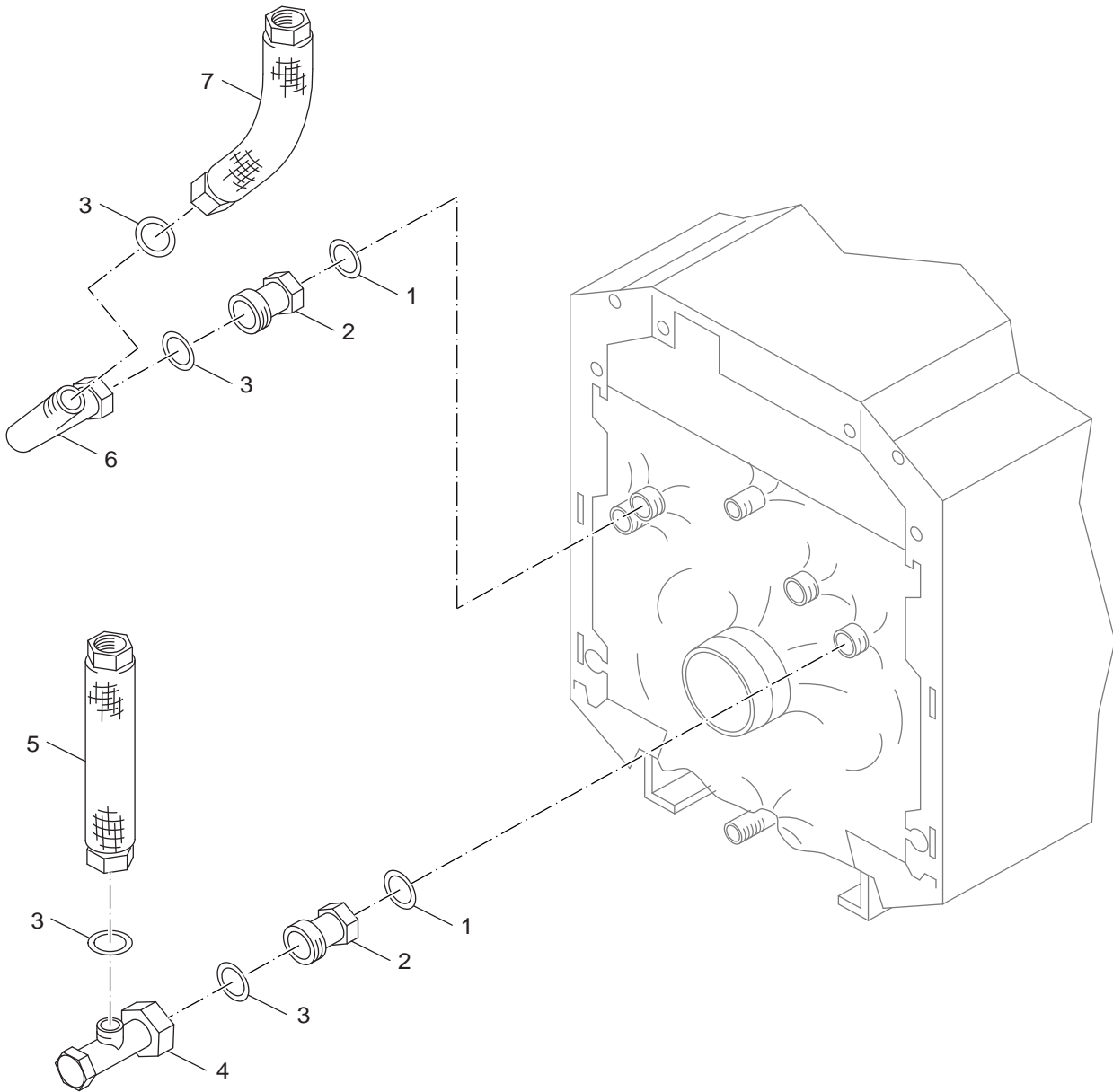
6720905890.aa.RS-Verkleidung S105/U

Verkleidung S105/U
Casing S105/U

Stahlheizkessel S105 / S105U

3

Ersatzteilliste
Spare parts list

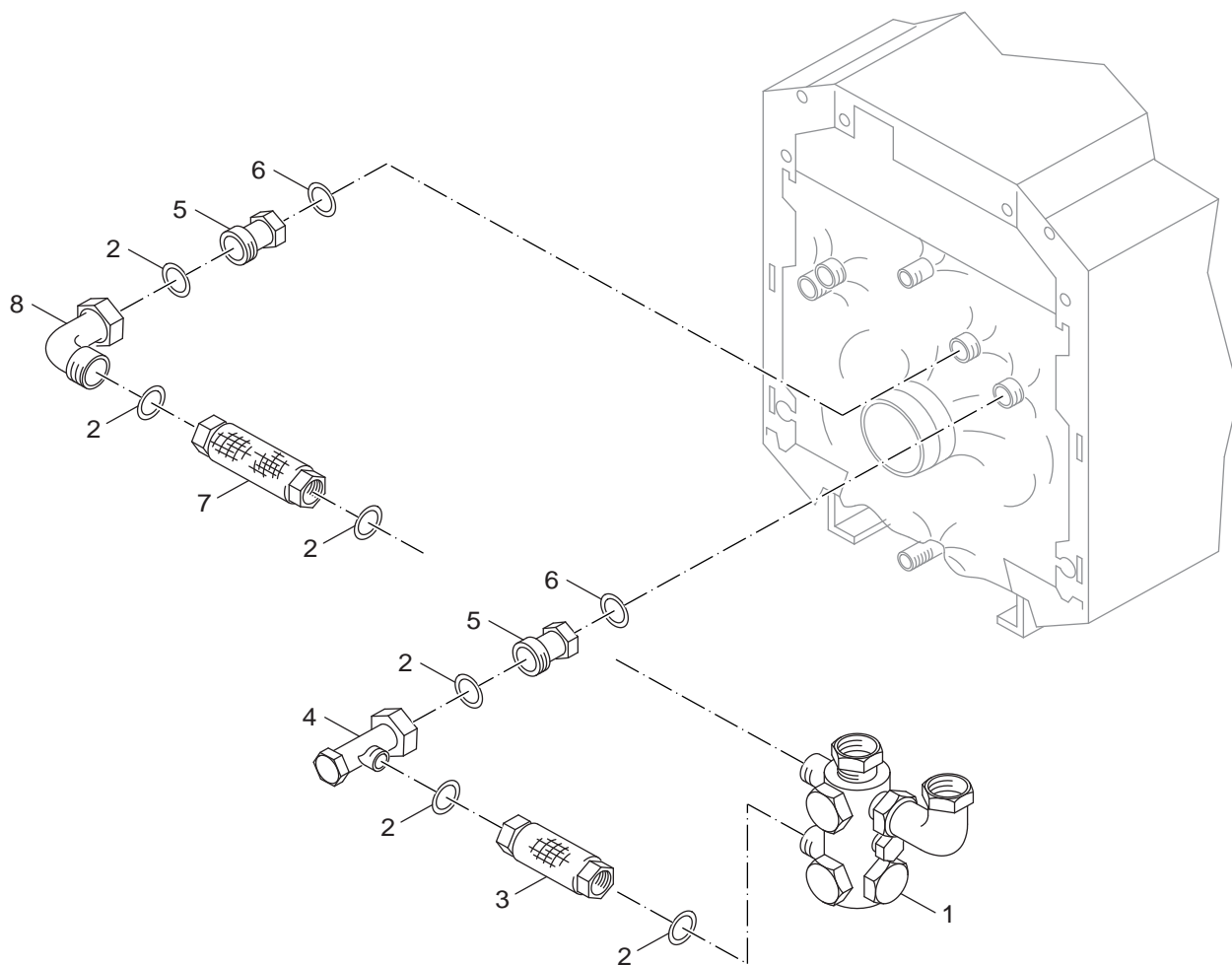


6720905891.aa.RS-Kessel-Anschluss-Set senkrecht S105

4
A
 Kessel-Anschluss-Set senkrecht S105
 boiler connection set vertical S105

Stahlheizkessel S105 / S105U

Ersatzteilliste
Spare parts list



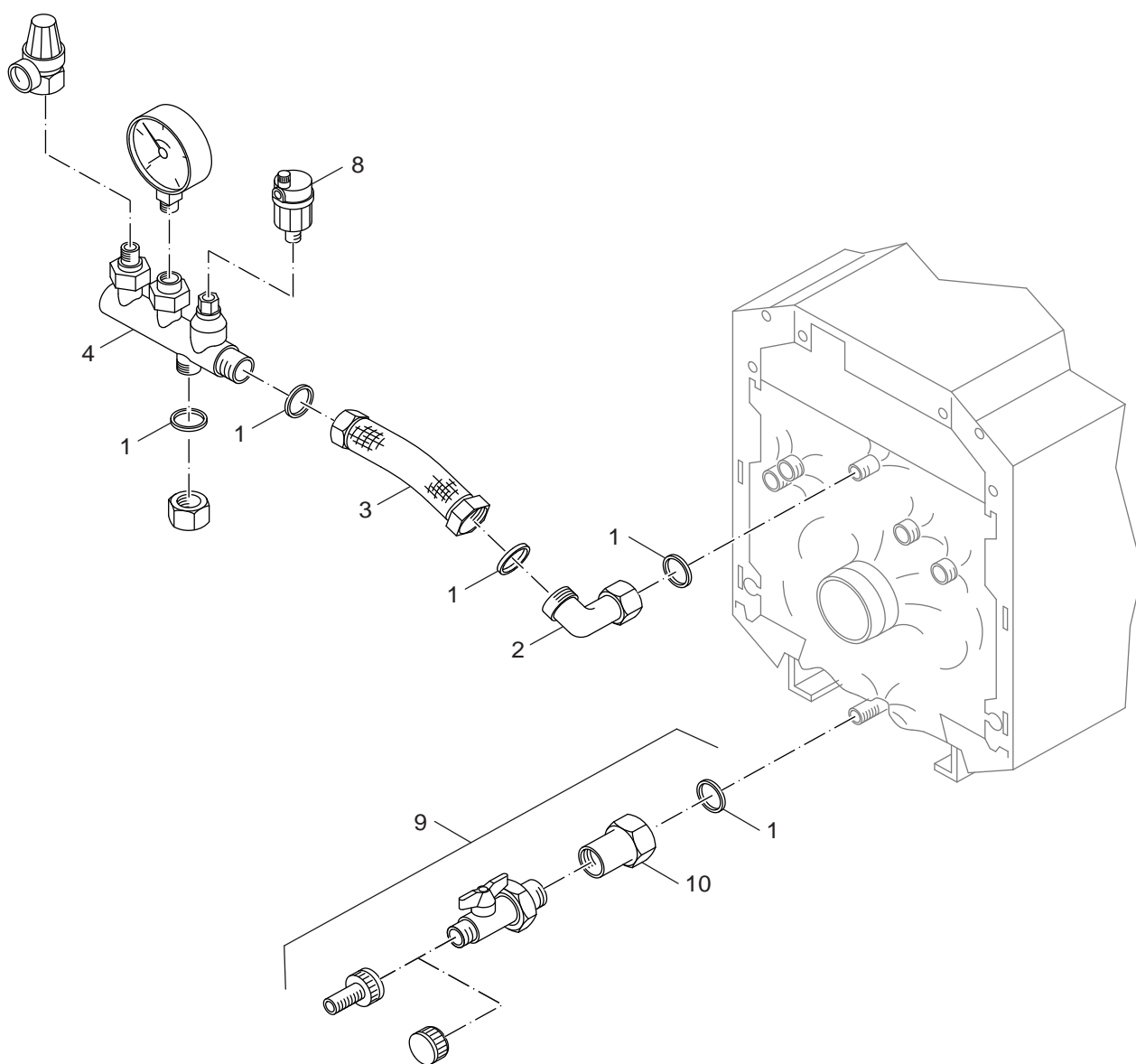
6720905892.aa.RS-Kessel-Anschluss-Set waagrecht S105

Kessel-Anschluss-Set waagrecht S105
 boiler connection set horizontal S105

Stahlheizkessel S105 / S105U

4
B

Ersatzteilliste
Spare parts list



6720905893.aa.RS-Sicherheits- und Entleerungs-Set S105

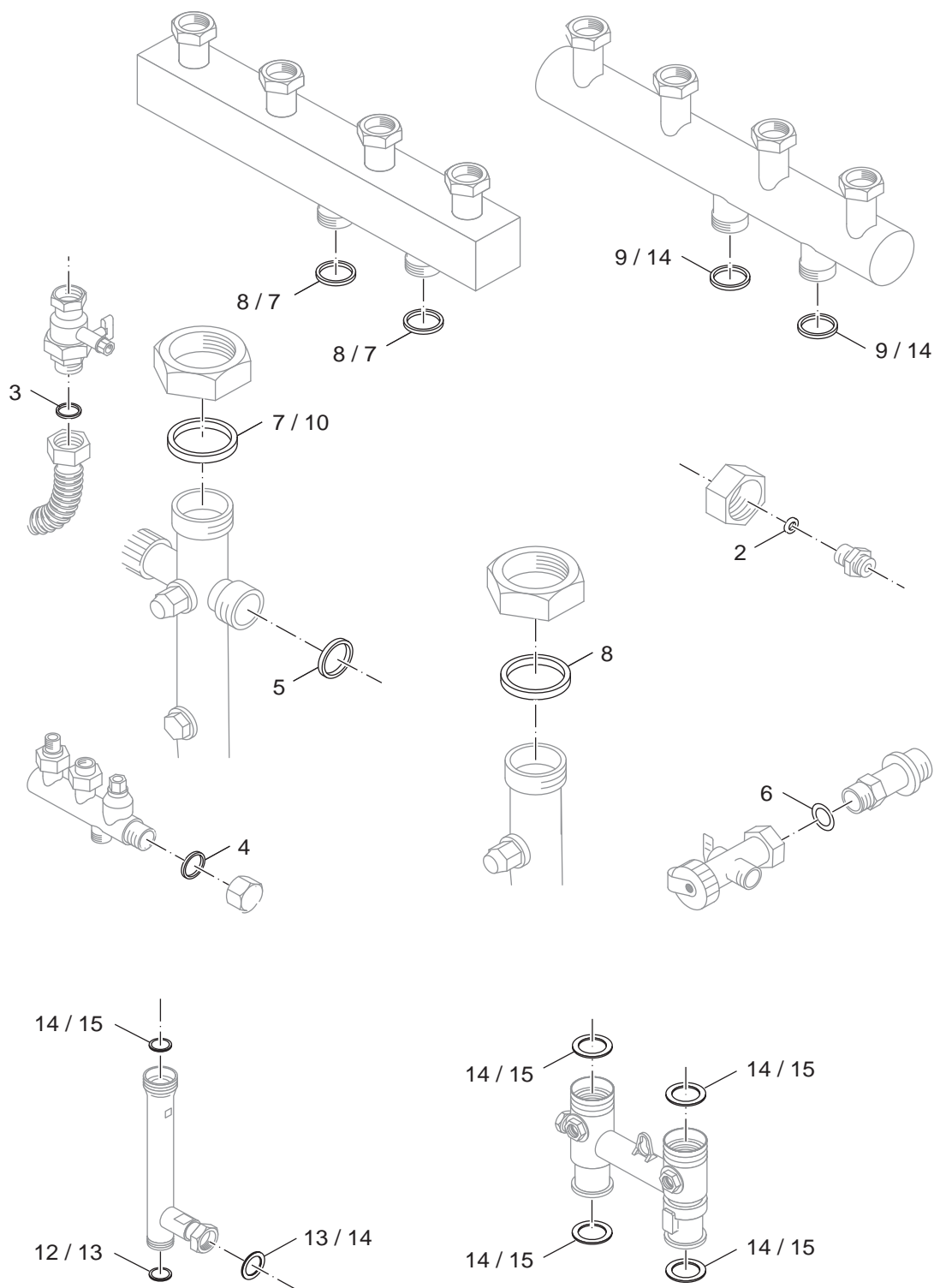
Sicherheits-Set S105
 Safety-set S105

Stahlheizkessel S105 / S105U

5

Ersatzteilliste
Spare parts list

Prinzipdarstellung



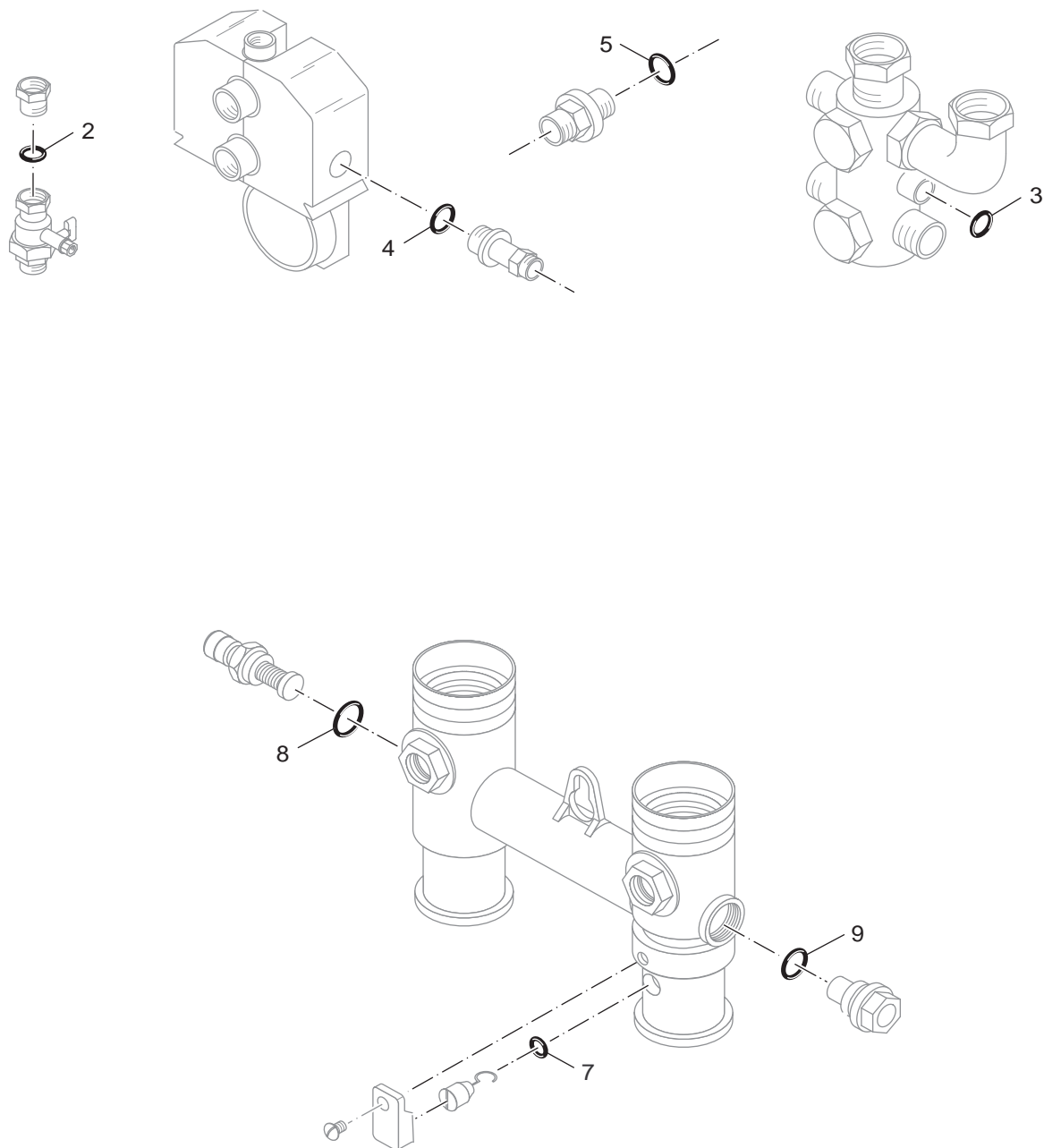
99902433.aa.RS-Dichtungs-Sets (Flachdichtungen)

6
A

Dichtungsset (Flachdichtung)
Set of seals (flat gasket)

Stahlheizkessel S105 / S105U

Ersatzteilliste
Spare parts list



99908937.aa.RS-Dichtungs-Sets (O-Ringe)

6
B
Dichtungsset (O-Ringe)
Set of seals (Set of O-rings)

Stahlheizkessel S105 / S105U

Übersetzungsliste
List of translations

Pos	Description
1 Element of construction	
1	Thermal insulation front S105/U 17-28KW
2	Sensor well R3/4"x100mm
3	Combustion chamber size 17-21kW D=269mm
4	Thermal insulation boiler block S105/U
5	Retaining spring (10Pc)
6	Thermal insulation rear panel S105/U
8	Foot bolt M10x51mm
9	Flue gas silencer size S115/S125 17-28kW
2A Element of construction	
1	Burner door S105/S315 size 17-28
3	Viewing hole cover V2
4	Pan-head screw DIN7985-M6x10-4.8
5	Hinge bolt D8x45/45mm
6	Heat protection plate size 17/28kW
7	Insulating mat set
8	Packing cords GPO 15x1150mm
9	Viewing hole lock V3 compl.
10	Glass pane 30x30x3,3 repl pack
11	Gasket 30x30x3
12	Measuring nozz M6 SW10 V2
13	Heat protection plate size 17/28kW
14	Insulating mat set size 17-70kW
15	Rivet DIN 1472 8x40mm (2pieces)
	installation material burner door
	Install material thermal insulation door
2B Element of construction	
1	Burner door S105/S115/S315 size 17-28KW
2	Stud DIN939-M8x16 5.6
3	Viewing hole cover V2
4	Pan-head screw DIN7985-M6x10-4.8
5	Insulating mat size 17-28kW
7	Heat protection plate D=339mm size
8	Packing cords GPO 15x1150mm
	Install material thermal insulation door
2C Element of construction	
1	Burner door S105/S315 size 17/28kW
2	Stud DIN939-M8x16 5.6
3	Viewing hole cover V2
4	Pan-head screw DIN7985-M6x10-4.8
5	Insulating mat size 17-28kW
7	Heat protection plate D=339mm size
8	Packing cords GPO 15x1150mm
	Install material thermal insulation door
3 Element of construction	
1	Mounting plate S 105/U 17/28KW
2	Front G115/S105
3	Burner hood with Thermal insulation
4	Device label S105
5	Thermal insulation 15x600x660mm S105/U
6	Side panel S105/U 28KW
7	Pan-head screw ST3,9x9,5 A3T (10x)
8	Tie-bar
9	Hood front 369mm wide G115U/S105/S105U
10	Hood rear S105/U 28KW
11	Rear panel top S105/U
12	Cable clip

Übersetzungsliste
List of translations

Pos	Description
13	Burner cable 2350 with strain rel.
14	Connector part ST18/7 silver-plated
15	Connecting terminal 7-pol green
4A	Element of construction
1	Gasket D24x30,5x2mm (5 pieces)
2	Reducing piece G1 1/4"/ G1" 45mm long
3	Sealing 38x27x2mm (2x)
4	Tee 1 1/4"-1"-1 1/4"
5	Pre/ Return pipe KAS 1
6	Angle G1 1/4"
7	Pre/ Return pipe KAS 1
	Flat gasket kit 1
4B	Element of construction
1	Distributor MFV
2	Sealing 38x27x2mm (2x)
3	Return pipe KAS 2
4	Tee 1 1/4"-1"-1 1/4"
5	Reducing piece G1 1/4"/ G1" 45mm long
6	Gasket D24x30,5x2mm (5 pieces)
7	Flow pipe KAS 2
8	Angle G1 1/4"
	Thermal insulation for MFV (t=150mm)
	Flat gasket kit 1
5	Element of construction
1	Gasket D24x30,5x2mm (5 pieces)
2	Angle G1"
3	Connecting pipe KSS S105
4	Distributor safety kit
8	Automatic air purging system 3/8"
9	Draining kit S105
10	Connector piece G1"XG1/2
	Flat gasket kit 1
	Thermal insulation safety kit
6A	Element of construction
2	Seal D6x11x2mm AFM34 (5x)
3	Seal D19x24.3x2mm AFM34 (5x)
4	Gasket D18x30x2mm EPDM80, black (5 pc)
5	Seal D21x30x2mm EPDM (5x)
6	Gasket D24x30,5x2mm (5 pieces)
7	Sealing ring D32x44x2mm EPDM
8	Seal D27x38x2mm EPDM (5x)
9	Gasket D27x38x2mm C4400 Klinger SIL,
10	Seal D42x55x2mm (5x)
12	Gasket D21x30x2mm AFM 34
13	seal set D27x38x2mm (Set 5 Pice)
14	Seal Set D32x44x2mm AFM34 (5 pc)
15	Seal D6x11x2mm AFM34 (5x)
	Flat gasket kit 1
	Gasket kit Flat gasket V2
6B	Element of construction
2	O-ring D22x2,5mm 70EPDM/281 (5x)
3	O-ring D30x3,5mm (5x)
4	O-Ring Set 35x3 Set (5 Pice)
5	O-ring 44x3 Set (5 Pice)
7	O-ring 4,48x1,78 EPDM 10IRHD (5x)
8	O-ring 24x3 EPDM70IRHD (5x)
9	O-ring 14x2 EPDM70IRHD (5x)

Bosch Thermotechnik GmbH
Sophienstraße 30-32
D-35576 Wetzlar
www.buderus.de

Buderus