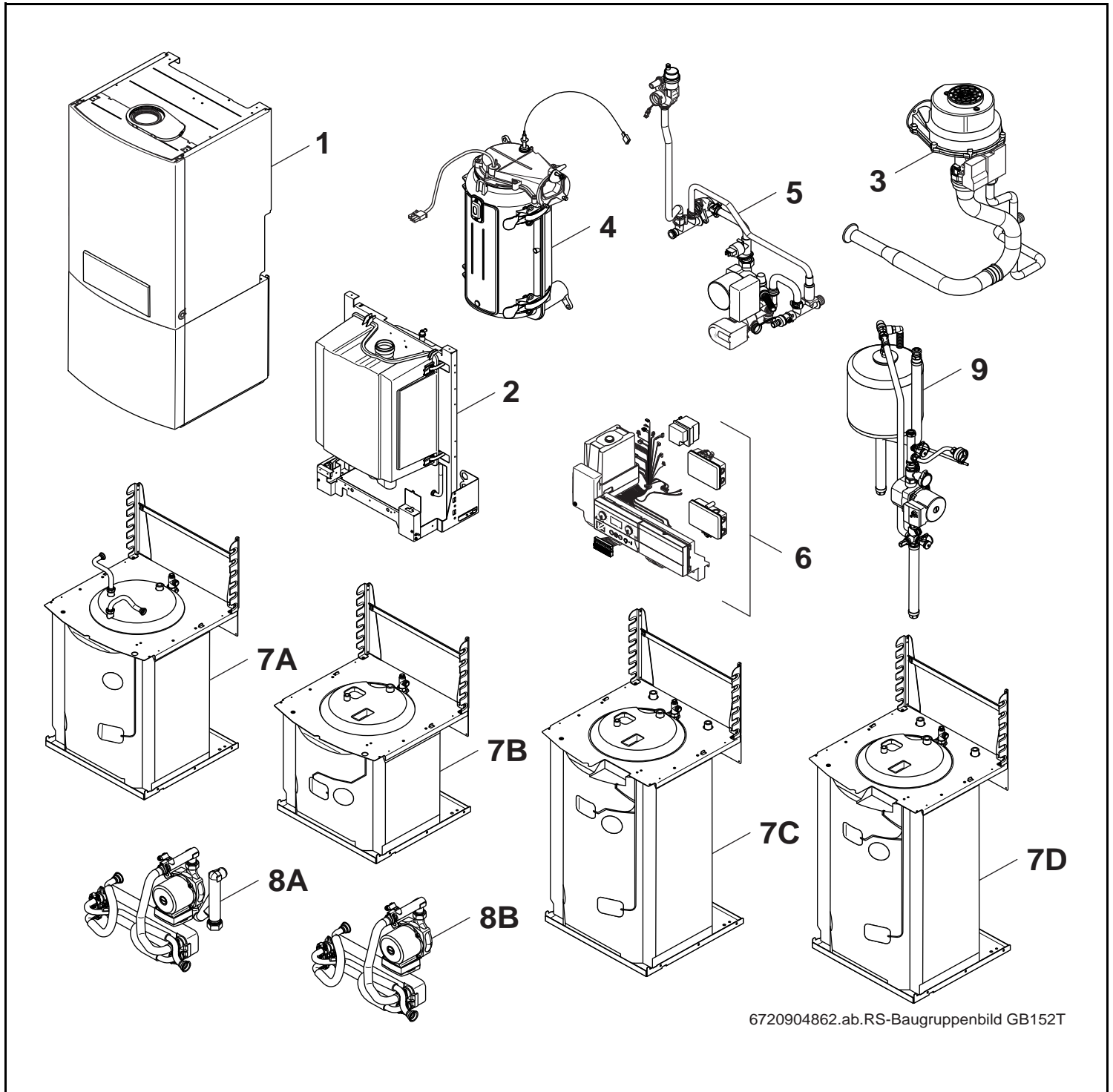


# GB152T



# Buderus



### Wichtige Hinweise

- Ersatzteile dürfen nur von einem zugelassenen Installateur eingebaut werden!
- Im Anhang finden Sie:
  - die Übersetzungen aller verwendeten Teilebezeichnungen
  - eine Übersicht der Gerätetypen und Länder, für die diese Ersatzteilliste gilt.

### Important notes

- The spare parts may only be installed by an approved installer!
- In the appendix you will find:
  - a list of translations of the names of all parts used
  - a list of the models and countries to which this spare parts list applies.

### Indications importantes

- L'installation des pièces de rechange doit être effectuée par un professionnel qualifié!
- Veuillez trouver en annexe:
  - les traductions de toutes les désignations des pièces utilisées
  - une vue globale des types de chaudières et des pays pour lesquels la présente liste des pièces de rechange est valable.

### Informações importantes

- Peças de substituição só podem ser montadas por um técnico credenciado!
- Em anexo encontra:
  - as traduções das designações de todas as peças utilizadas.
  - lista dos aparelhos e países para os quais esta lista de peças de substituição é válida.

### Avvertenze importanti

- Le parti di ricambio possono essere montate esclusivamente da personale qualificato ed in possesso dei requisiti tecnico-professionali!
- In appendice sono reperibili:
  - traduzione di ogni descrizione relativa alle varie parti di ricambio
  - elenco di sigle e codici, corrispondente ai vari paesi di destinazione.

### Indicaciones importantes

- Los repuestos solamente deben ser montados por los servicios técnicos oficiales de la marca!
- En el anexo podrá encontrar:
  - la traducción de todas las denominaciones de piezas empleadas
  - una relación de los tipos de aparato y países en los que se aplica esta lista de repuestos.

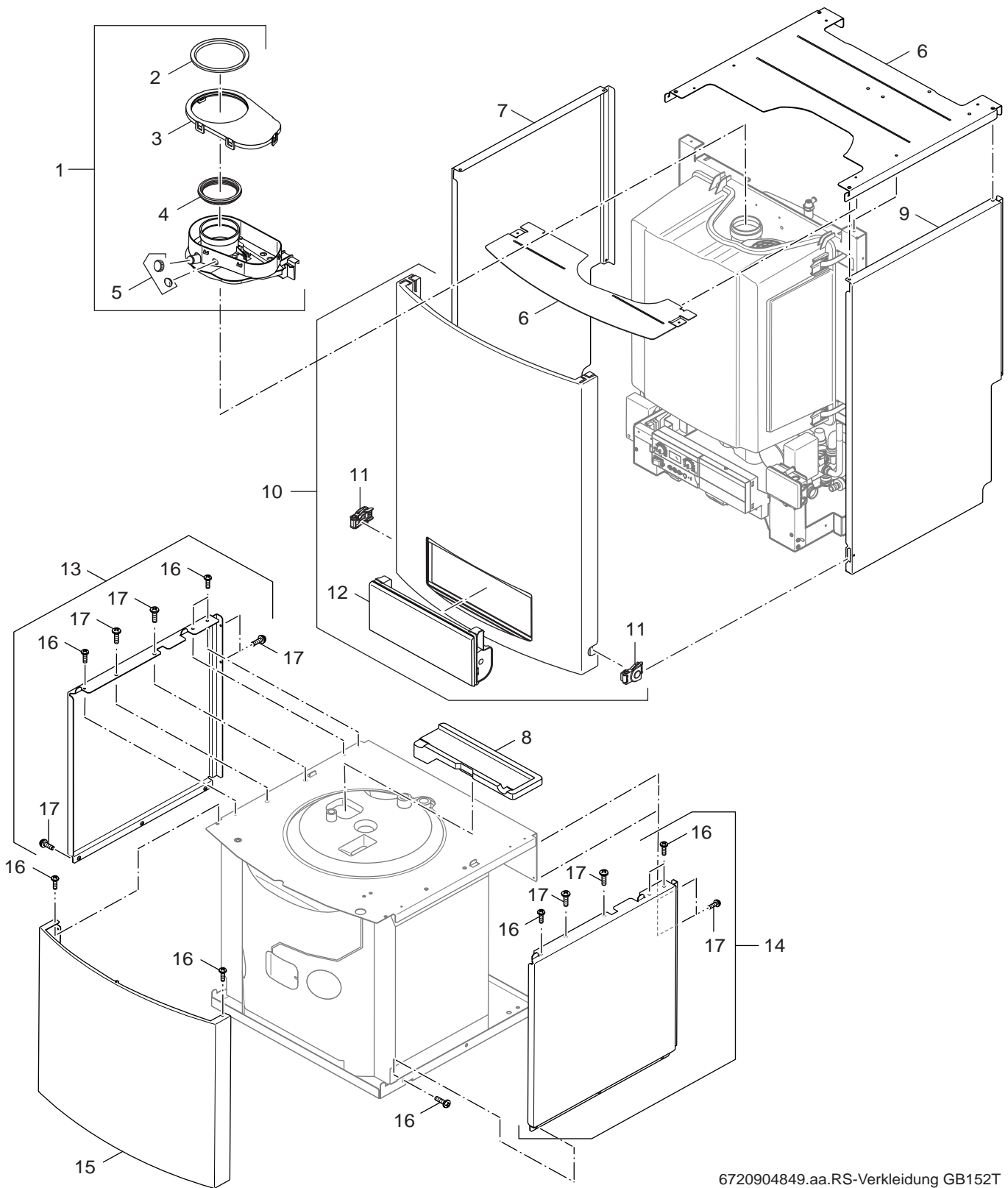
### Belangrijke aanwijzing

- Onderdelen mogen alleen door een erkend installateur worden vervangen!
- In de bijlage vindt u:
  - de vertalingen van de gebruikte onderdelentekeningen
  - een overzicht van toesteltypen en de landen waarvoor deze onderdelenlijst bedoeld is.

### Önemli Bilgiler

- Yedek parçalar sadece yetkili tesisatçılar tarafından monte edilebilir!
- Aşağıdaki bilgileri ekli olarak bulabilirsiniz:
  - Tüm kullanılan parça tanımlarının tercümelemleri
  - Bu yedek parça listesinin geçerli olduğu tüm cihaz çeşitleri ve ülkelerin özeti.

**Ersatzteilliste**  
**Spare parts list**



6720904849.aa.RS-Verkleidung GB152T

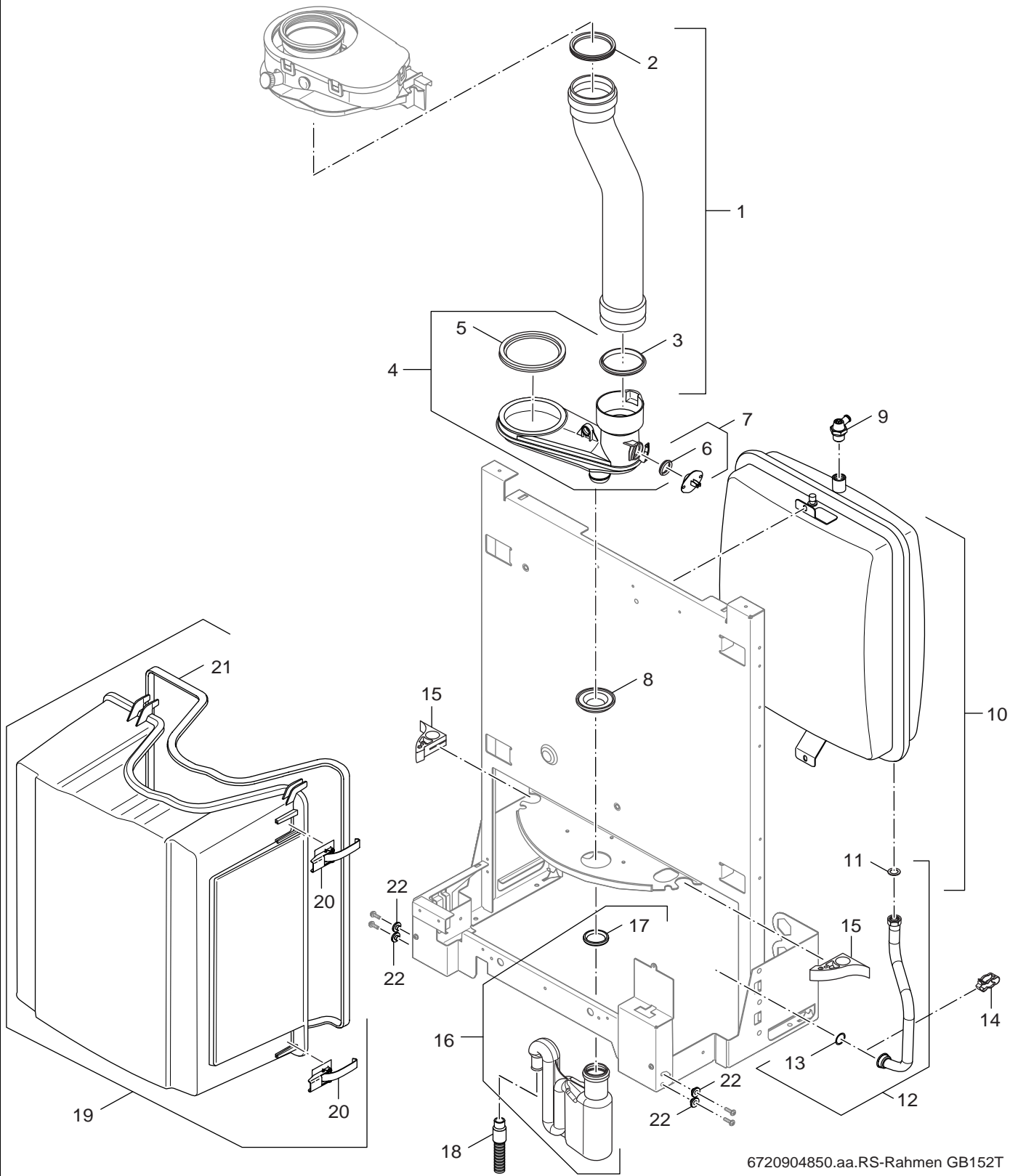
Verkleidung GB152T  
 Sheet metal GB152T

**GB152T**

**1**



**Ersatzteilliste**  
**Spare parts list**



6720904850.aa.RS-Rahmen GB152T

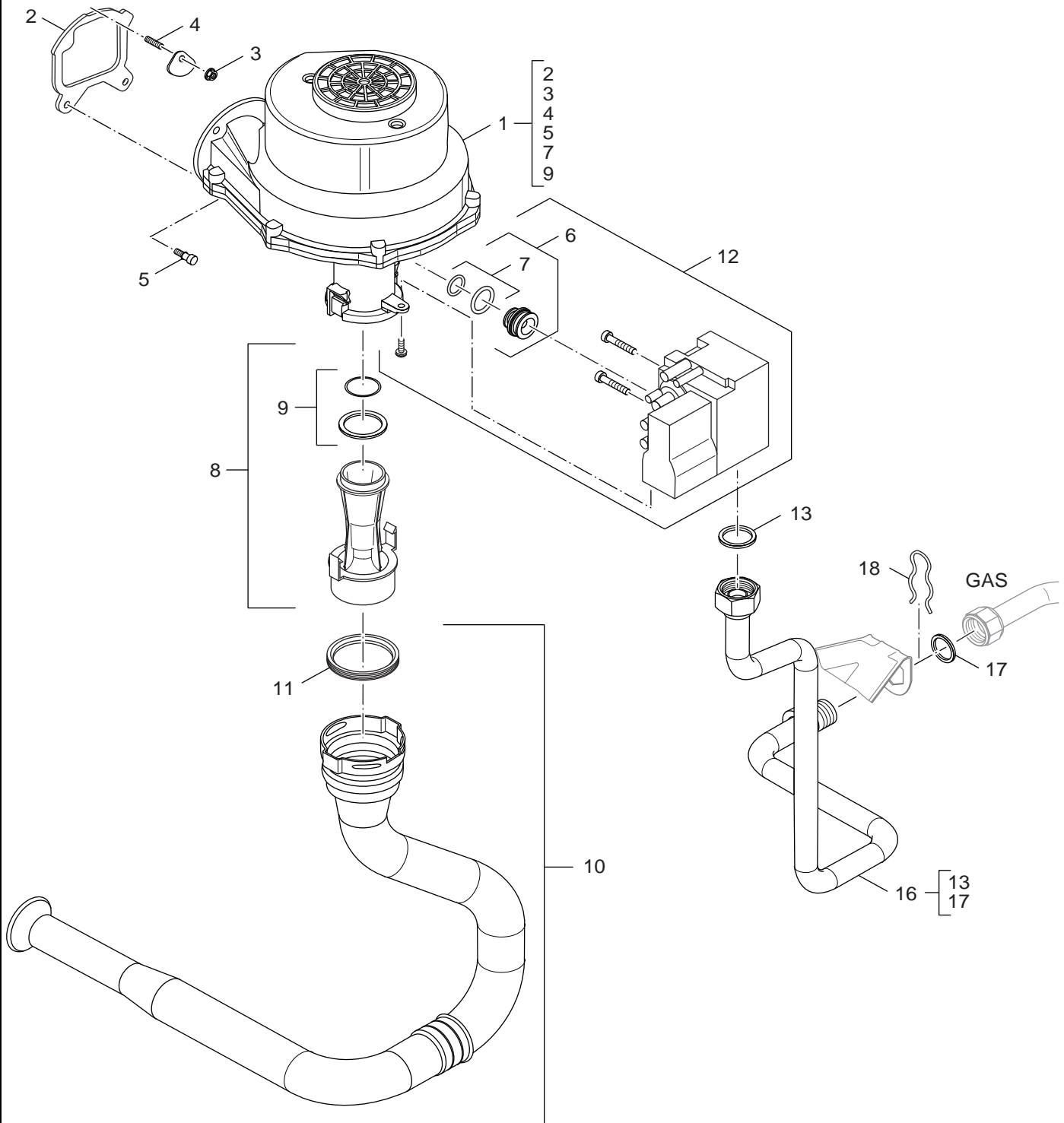
Rahmen GB152T  
 Frame GB152T

**GB152T**

**2**



Ersatzteilliste  
Spare parts list



6720904851.ab.RS-Armatur GB152T

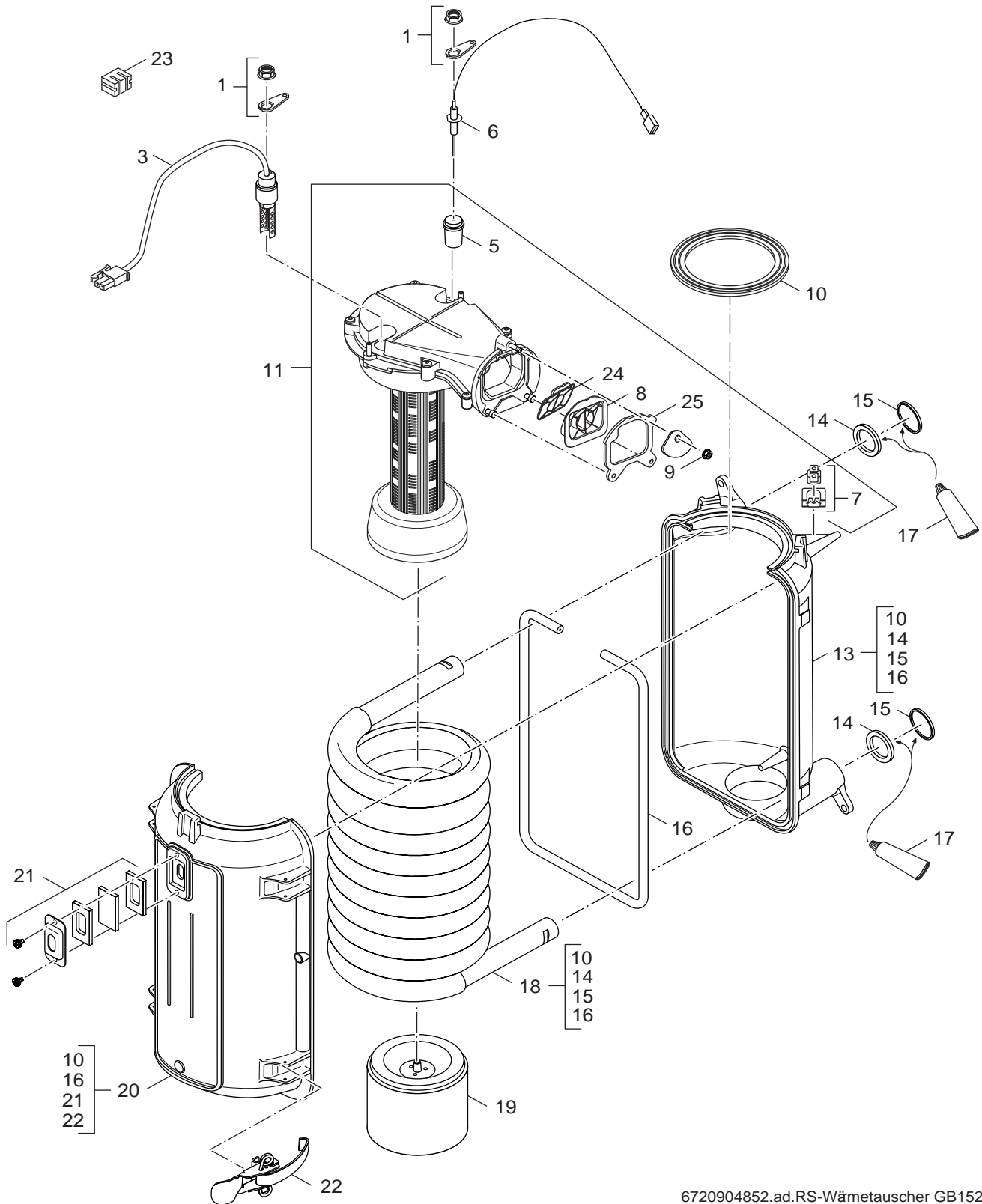
Armatur GB152T  
Valve

**GB152T**

**3**



Ersatzteilliste  
Spare parts list



6720904852.ad.RS-Wärmetauscher GB152T

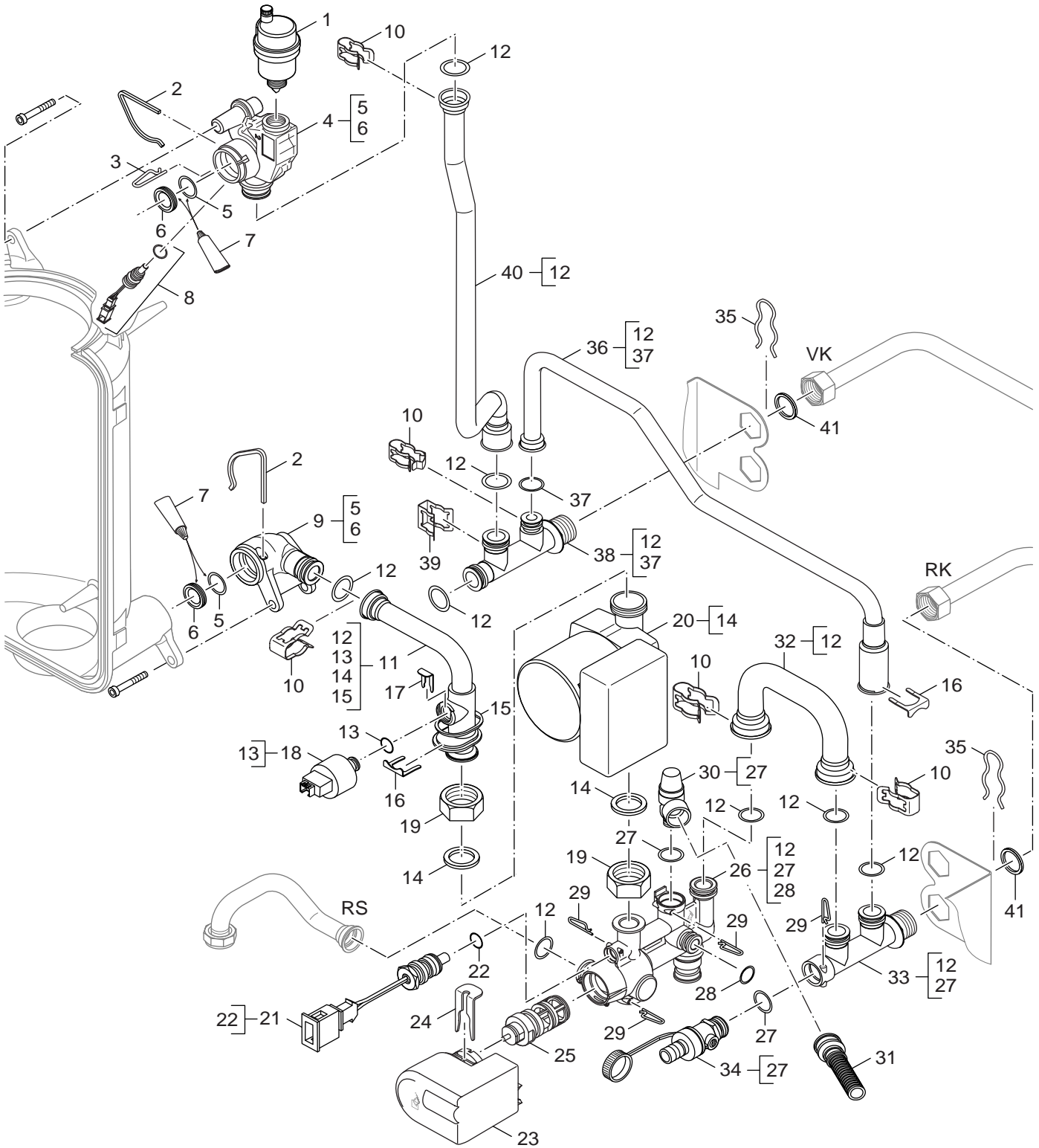
Wärmetauscher  
Heat exchanger

**GB152T**

**4**



**Ersatzteilliste**  
**Spare parts list**



6720904853.aa.RS-Vorlauf/Rücklauf GB152T

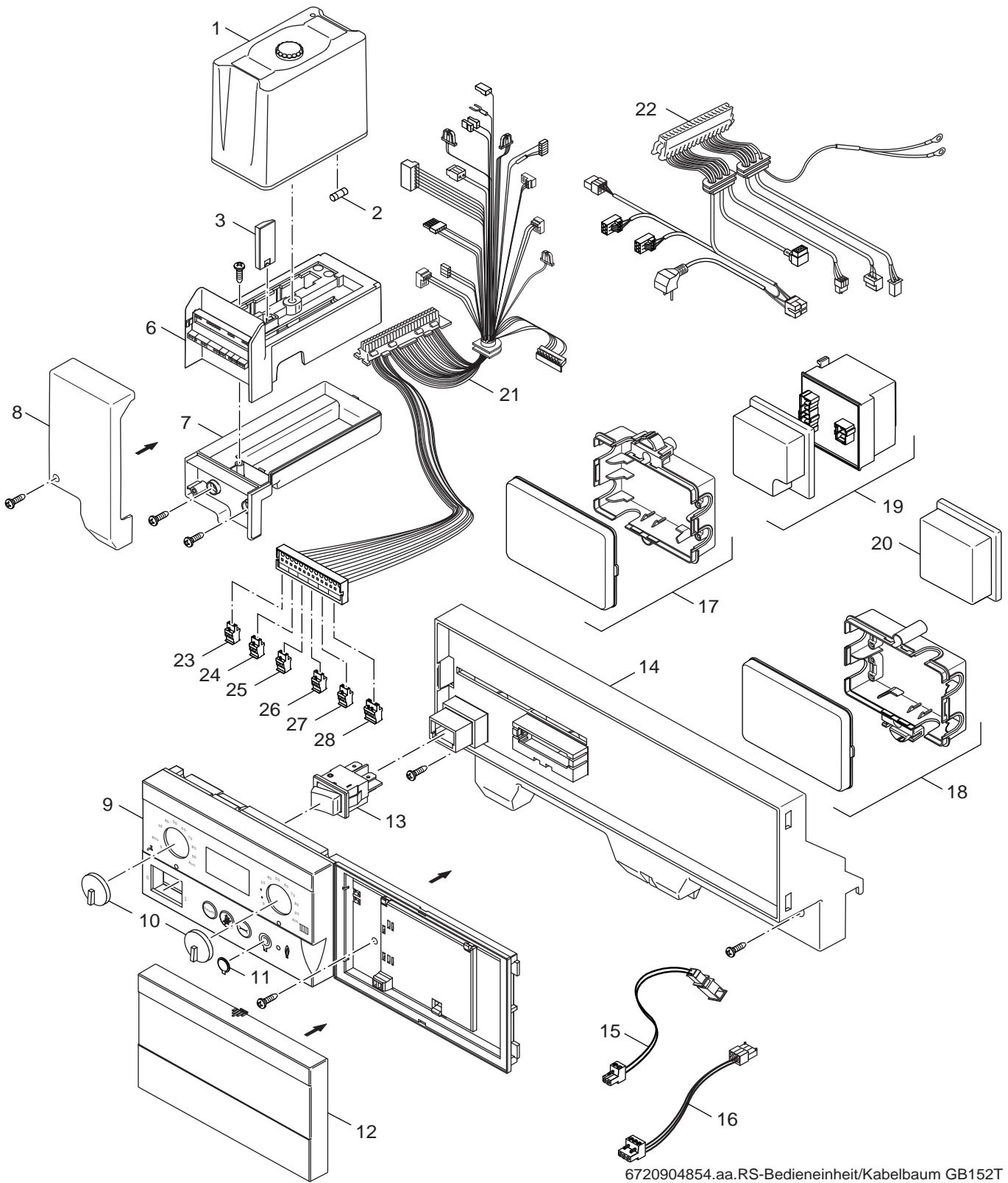
Vor/Rücklauf GB152T  
Flow/Return unit GB152T

**GB152T**

**5**



**Ersatzteilliste**  
**Spare parts list**



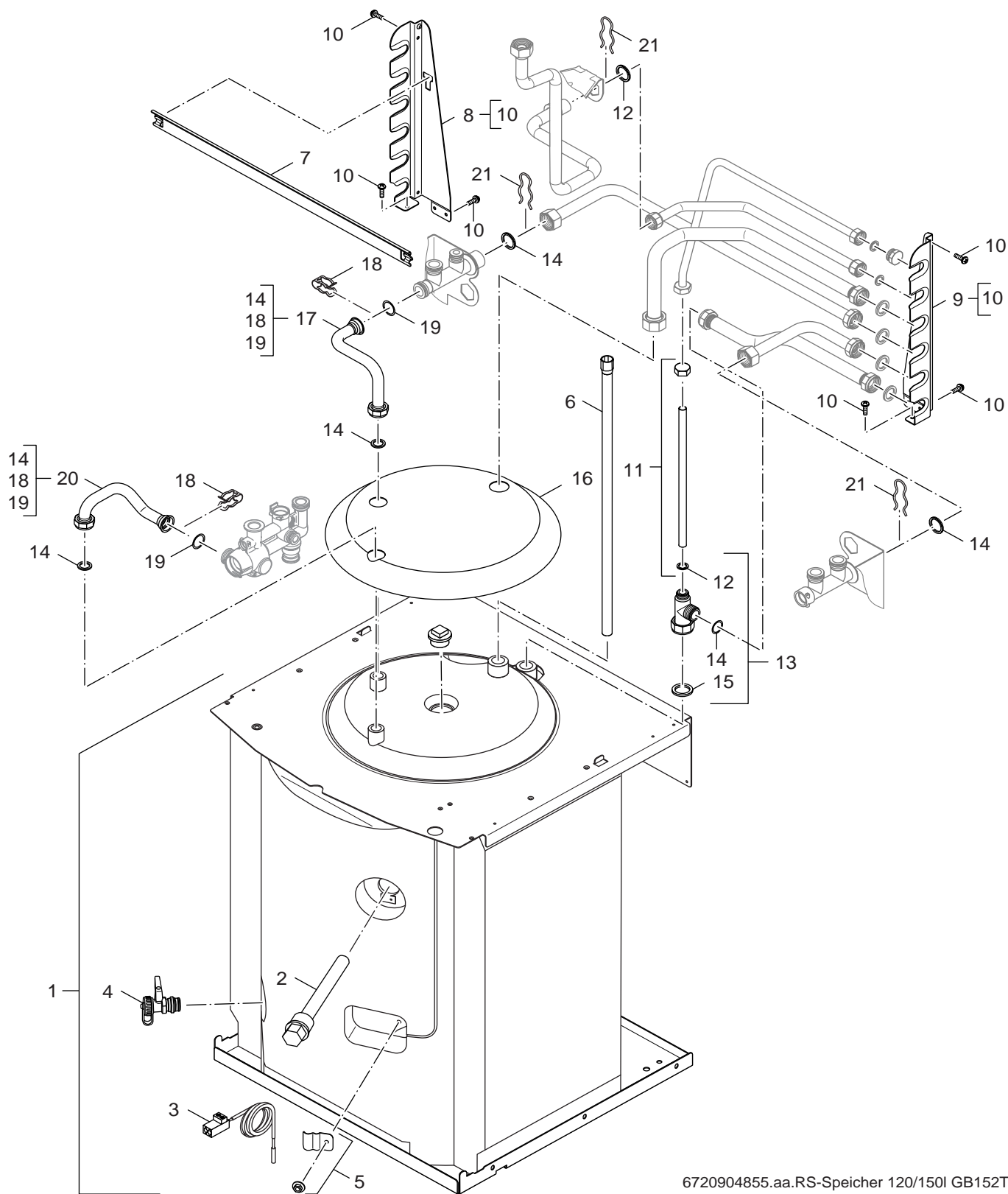
Bedieneinheit/Kabelbaum GB152T  
Cable tree GB152T

**GB152T**

**6**



Ersatzteilliste  
Spare parts list



6720904855.aa.RS-Speicher 120/150l GB152T

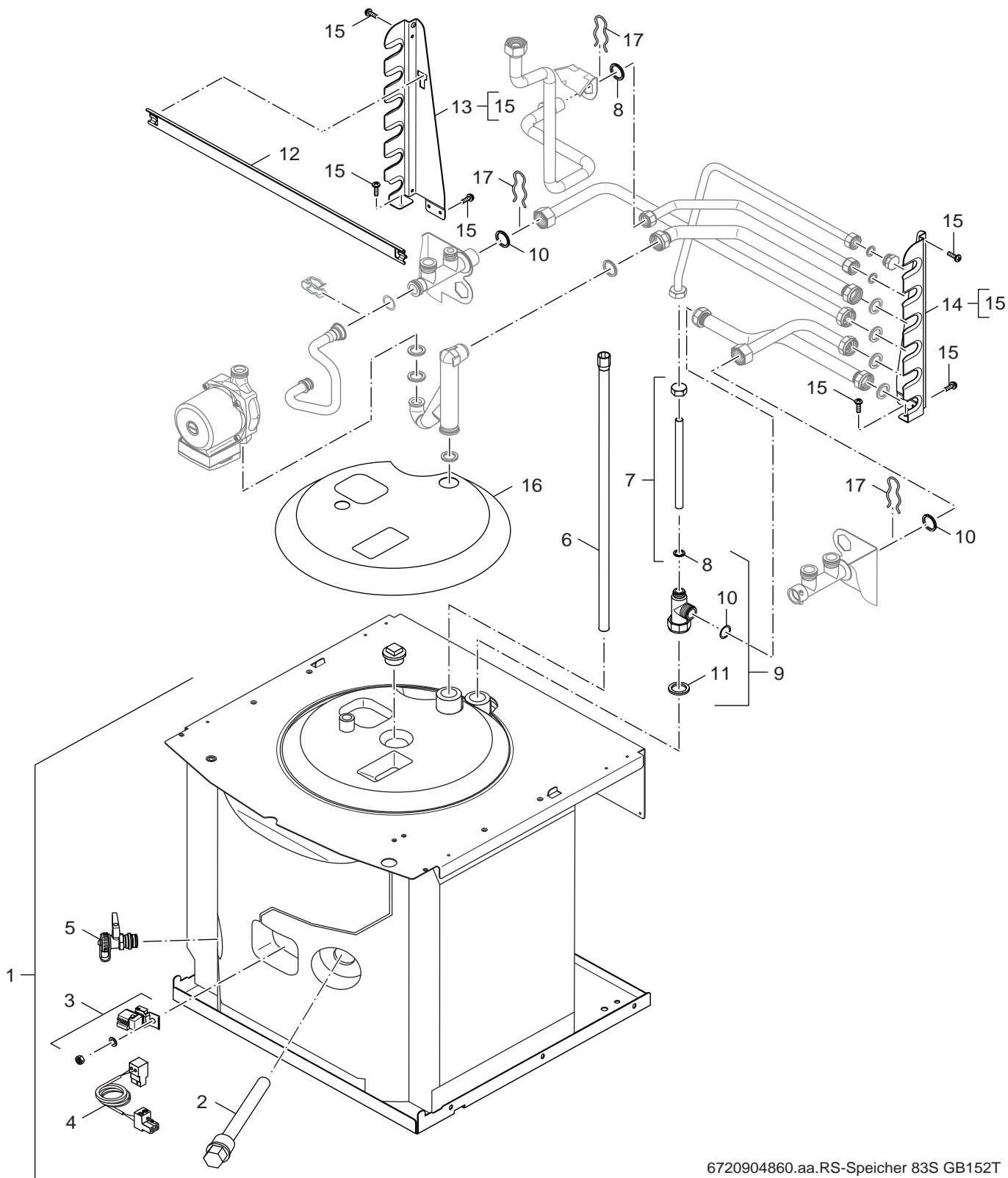
**7**  
Speicher 120L/150L GB152T  
Storage tank 120/150L GB152T

**GB152T**

**A**



Ersatzteilliste  
Spare parts list



6720904860.aa.RS-Speicher 83S GB152T

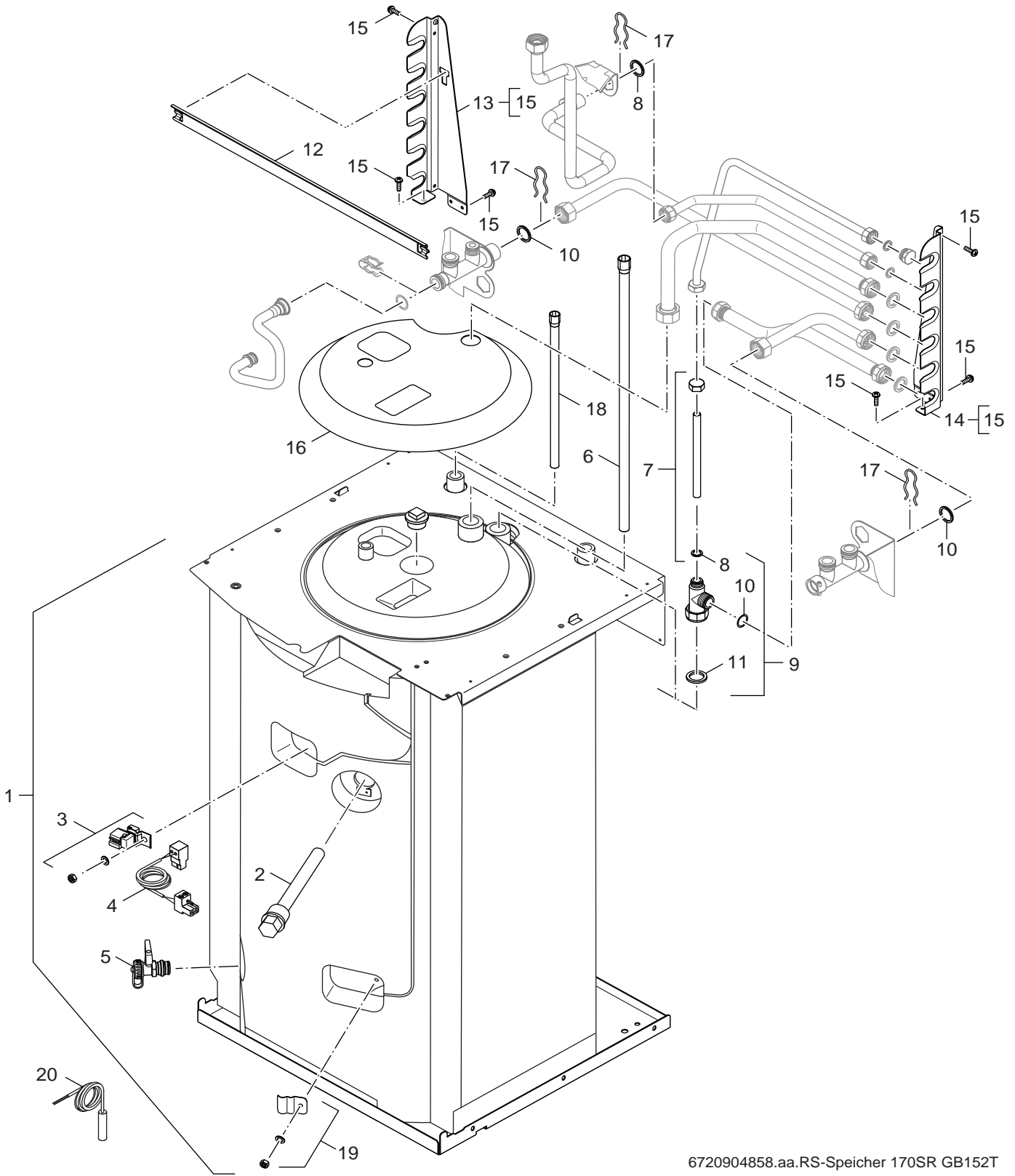
**7**  
Speicher 83S GB152T  
Storage tank 83S GB152T

**GB152T**

**B**



**Ersatzteilliste**  
**Spare parts list**



6720904858.aa.RS-Speicher 170SR GB152T

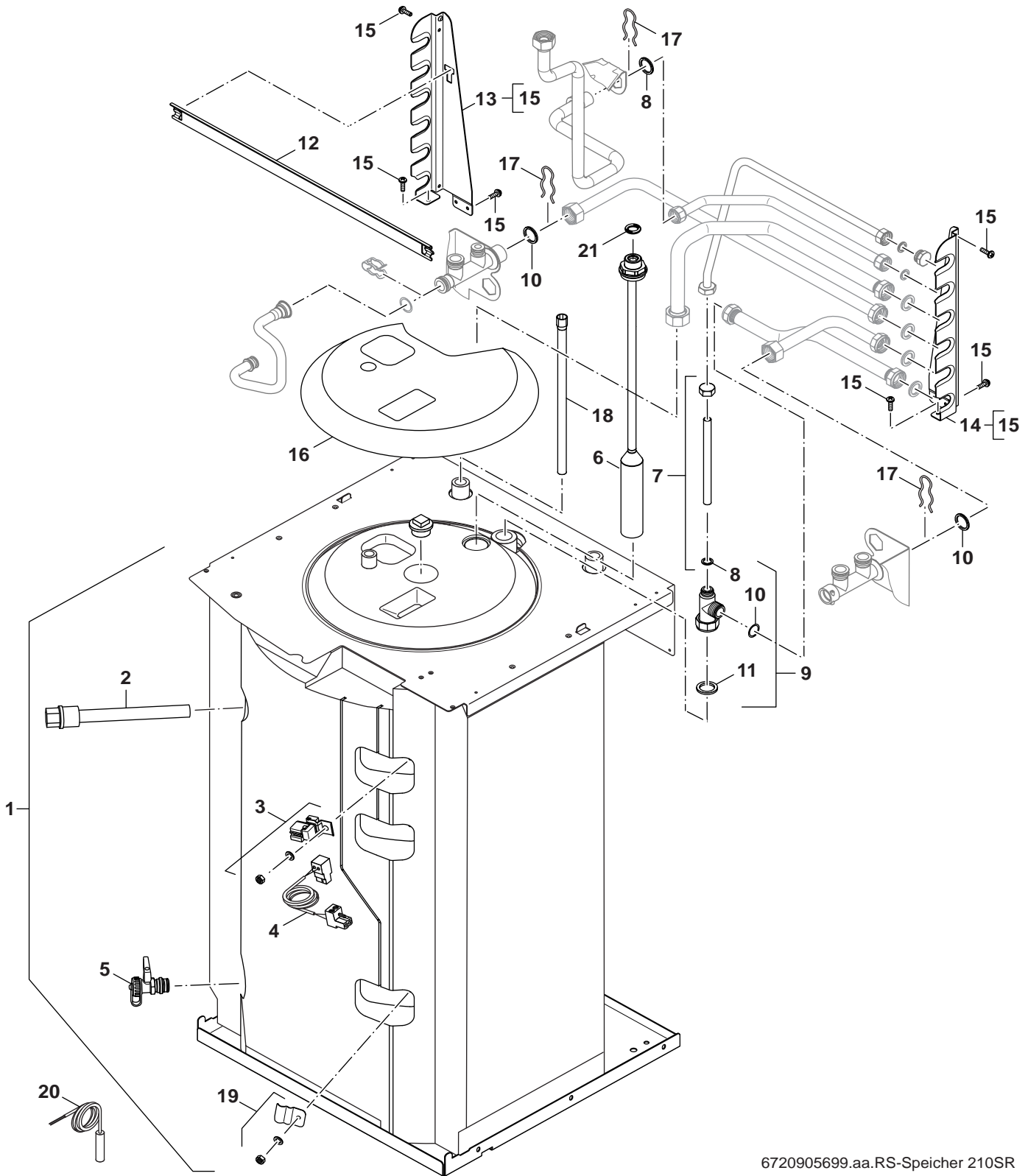
**7**  
Speicher 170SR GB152T  
Storage tank 170SR GB152T

**GB152T**

**C**



Ersatzteilliste  
Spare parts list



6720905699.aa.RS-Speicher 210SR

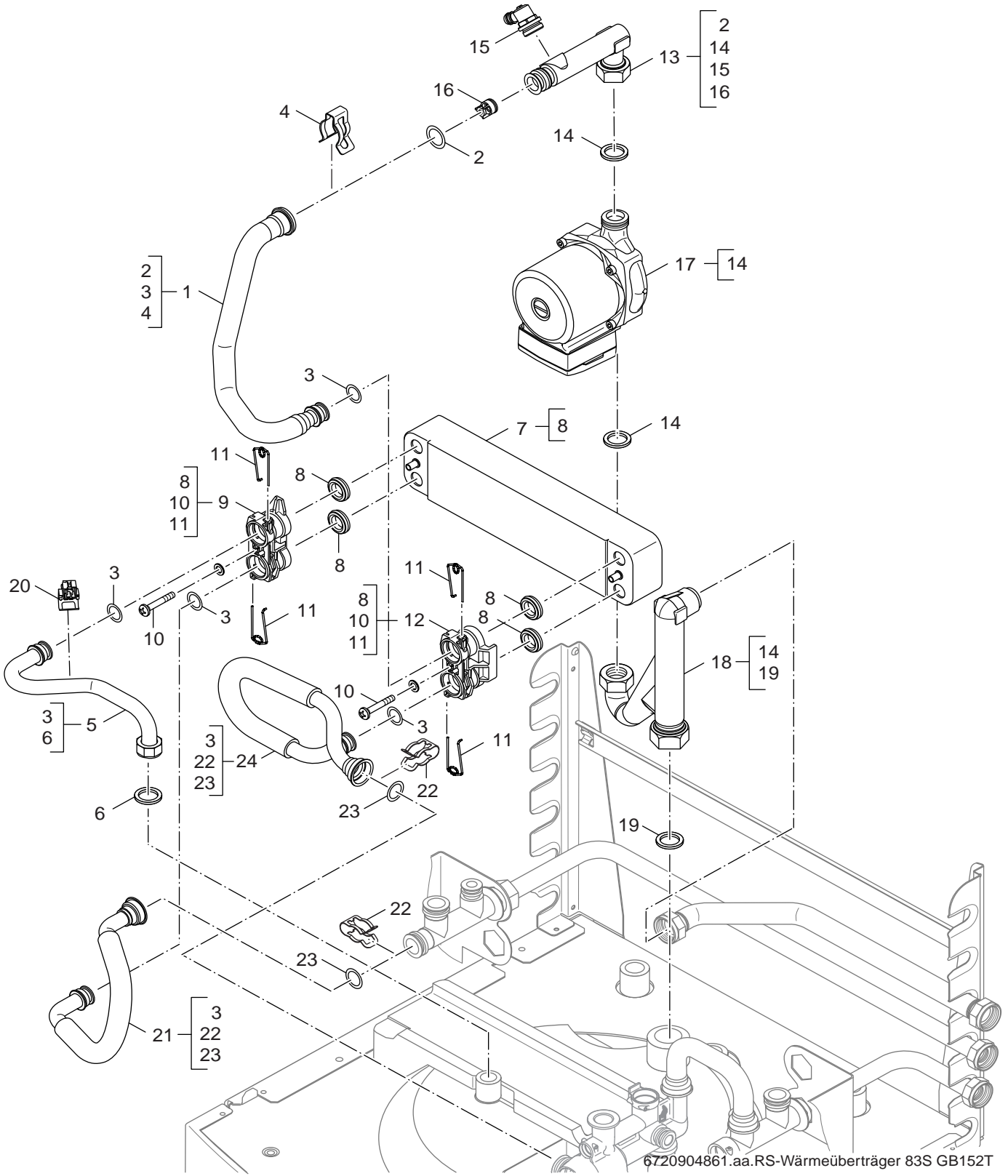
**7**  
Speicher 210SR  
Storage tank 210SR

**GB152T**

**D**



Ersatzteilliste  
Spare parts list



6720904861.aa.RS-Wärmeüberträger 83S GB152T

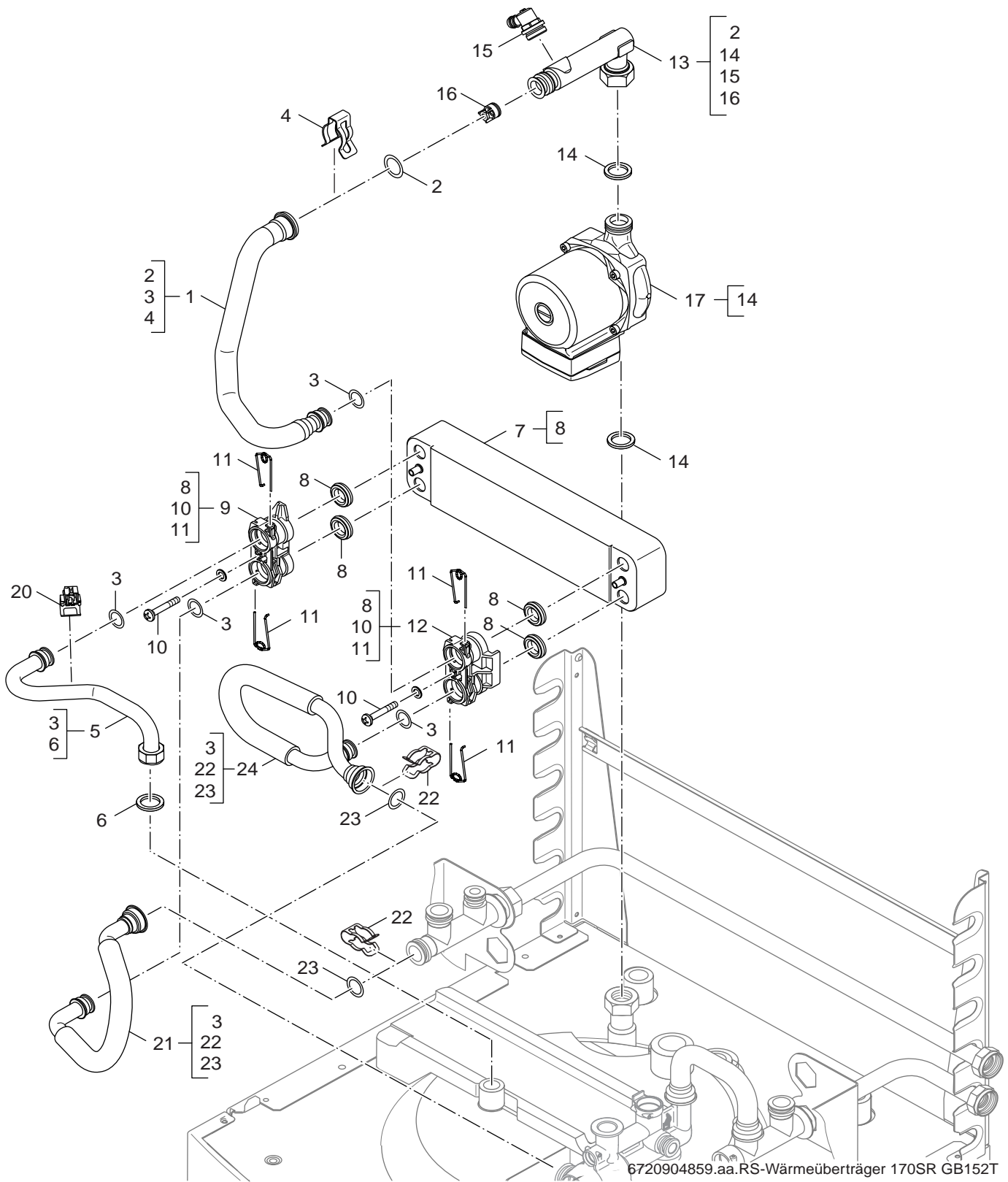
Wärmeüberträger 83S GB152T  
Heat exchanger 83S GB152T

**GB152T**

**8**  
**A**



**Ersatzteilliste**  
**Spare parts list**



6720904859.aa.RS-Wärmeüberträger 170SR GB152T

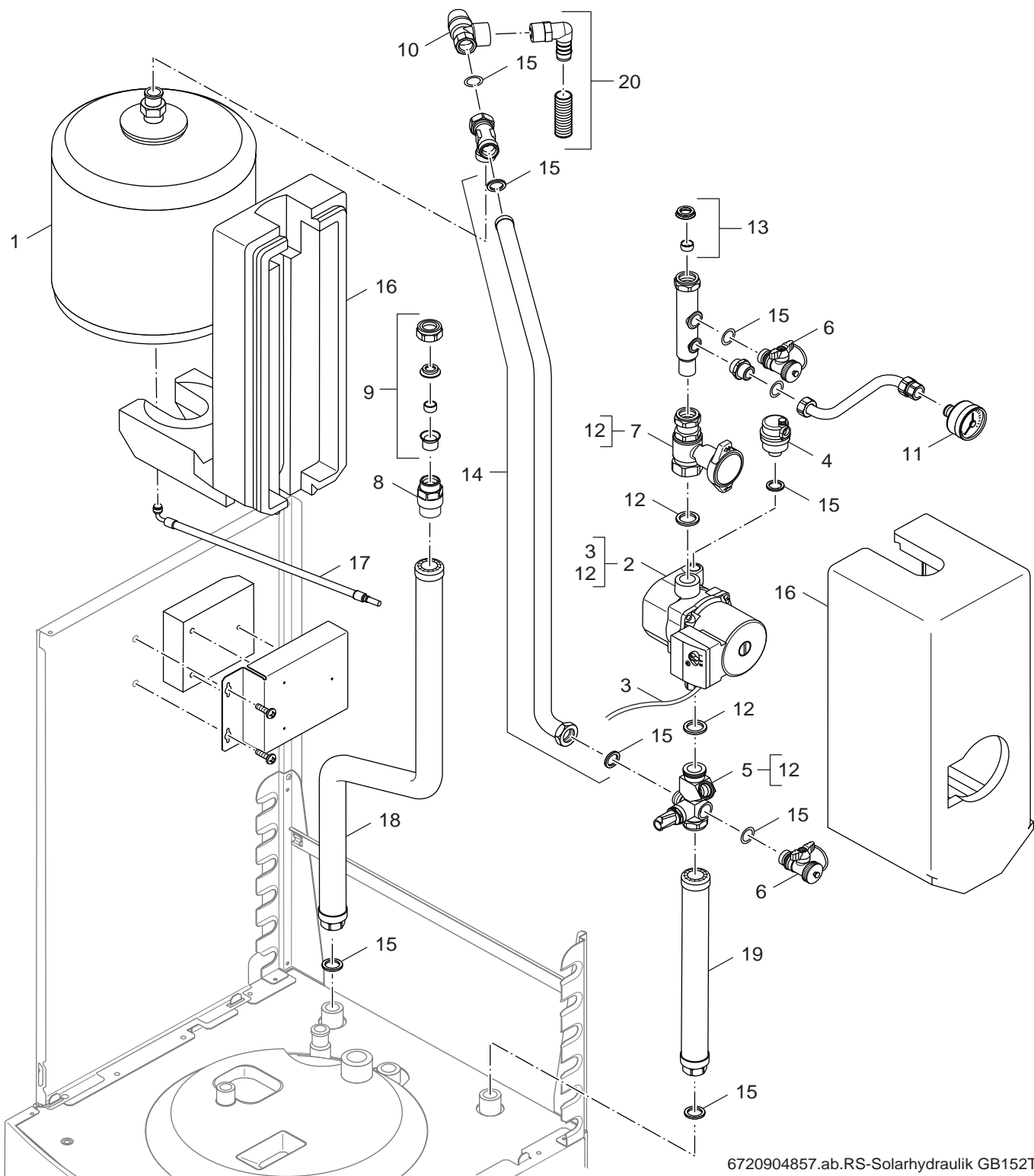
Wärmeüberträger 170L GB152T  
Heat exchanger 170L GB152T

**GB152T**

**8**  
**B**



Ersatzteilliste  
Spare parts list



6720904857.ab.RS-Solarhydraulik GB152T

Solarhydraulik GB152T  
Solar hydraulics GB152T

**GB152T**

**9**



**Übersetzungsliste**  
**List of translations**

Pos	Description
<b>1 Element of construction</b>	
1	Boiler connection piece concentric
2	Lip gasket DN125
3	Cover for conc. connector
4	Sealing ring D80 (2x)
5	plugs kit
6	Covering sheet Set
7	Sideshield left
8	Insulation
9	Sideshield right
10	Covering sheet
11	Lock
12	Decorative cover GB152T
13	Side panel left
14	Side panel right
15	Covering sheet
16	Screw tapping no10 x 13 pan head
17	Screw M6x13 phillips steel cross
<b>2 Element of construction</b>	
1	Condensation header Flue pipe with
2	Gasket Flue pipe D60
3	Lip gasket D60 for condensation header
4	Condensation header
5	Gasket condensate header flue gas line
6	Gasket Sensor condensation header
7	Sensor Flue gas with Gasket
8	Gasket kit gas hydraulics
9	Air vent valve
10	Expansion tank
11	Flat gasket 1/2" (10x)
12	Expansion tank pipe
13	O-ring 14,48x2,62 (10x)
14	Clip with Spring (5x)
15	Cable entry bottom (2x)
16	Siphon for GB152T
17	Gasket set syphon safety valve
18	Hose
19	Cover vacuum chamber
20	Clamp (2x) vacuum chamber
21	Gasket for cover vacuum chamber
22	Bushing
	Connection kit back GB152T
	Right-angle gas valve
<b>3 Element of construction</b>	
1	fan GB132 V3
2	sealing fan GB142 V2
3	Nut M5 toothed self-retaining
4	Threaded stud M5x20 with hex socket
5	Round-head bolt M5x20
6	Gas orifice 2E (G20) m Gasket GB132
7	O-ring kit gas nozzle
8	Air nozzle for G20 and G25
9	Flat gasket kit for air nozzle
10	Fan air supply pipe with Gasket
11	Gasket inlet pipe (5x) Nr.111.069A
12	Valve Gas 848 Sigma
13	Seal set (5 pcs)

**Übersetzungsliste**  
**List of translations**

Pos	Description
16	Pipe Gas
17	Washer 18.6 X 13.5 X 1.5 (10x)
18	Spring Plug D18,5 (5x)
<b>4</b>	<b>Element of construction</b>
1	Handle Ionisation electrode / heat
3	Ignition Hot Surface
5	Gasket for Ionisation electrode (5x)
6	Ionisation electrode for GB112
7	MAX THERMOSTAT WITH CLIP
8	Anti-Hammer Valve BK13 V3
9	Nut M5 toothed self-retaining
10	Burner gasket for GB132
11	SERVICE SET GA Supply
13	Heat exchanger Back Side
14	Lip gasket DN36,4x24,4x6,3 (2x)
15	O-ring 26,3x5,33 (10x)
16	Seal Heat Exchanger
17	Silicone special, tube 25gr
18	Heat_exchanger Spiral C2
19	Diverting hood for GB132
20	Heat exchanger Front Side
21	Viewing hole window for GB132
22	Clamp (2x)
23	Cable entry for igniter
24	non-return valve BK13 V2 GB022
25	sealing fan GB142 V2
<b>5</b>	<b>Element of construction</b>
1	Air vent automatic 10 bar
2	Locking device spiral finned tube heat
3	Spring Plug (5x) (220.030A)
4	Connector flow
5	O-ring 26,3x5,33 (10x)
6	Lip gasket DN36,4x24,4x6,3 (2x)
7	Silicone special, tube 25gr
8	Sensor flow
9	Connector Return
10	Support terminal (5x) (320.031A)
11	Returnpipe
12	O-ring 18.72 x2.62 (10x)
13	O-Ring 9,92x2,62 (10x)
14	Gasket 1" rubber (5x)
15	Sealing ring (10x)
16	Support clip for pipe connection (4x)
17	Clip D10/16/16/24 2 St.
18	Pressure gauge type 505.99023
19	Union nut
20	Pump for GB132
21	Flow/return Domestic hot water Sensor
22	O-ring 9,25x1,78 (10x)
23	Drive for Three-way valve
24	Retaining bracket 3-way valve motor
25	Insert for Three-way valve
26	Return Manifold
27	O-ring 16x2 (5x)
28	O-ring 14,48x2,62 (10x)
29	Spring Plug (5x) (220.030A)
30	Safety valve 3 bar plug and socket

**Übersetzungsliste**  
**List of translations**

Pos	Description
31	Safety valve drain pipe
32	Return pipe
33	Return Manifold
34	Fill and Drain valve
35	Spring Plug D18,5 (5x)
36	By-pass pipe
37	O-ring 14,48x2,62 (10x)
38	Supply manifold
39	Support clip 18mm
40	Supply pipe
41	Fibre washer 23.9 X 17.2 X 1.5 (10x)
<b>6</b>	<b>Element of construction</b>
1	UBA3
2	Fuse 5AF/230V (Set A 10)
3	BCM 1080 R004 GB152T-24/28
6	Base upper section UBC GB132
7	Base lower section UBC without Cap
8	Cover Case UBA
9	Basis controller BC10 for EMS spare part
10	Button BC10 trafic white V2 replace
11	Cover jack plug 3,5 printed
12	Dummy cover BC10
13	Switch with rocker
14	Fixing plate for BC10 for GB132
15	Adapter cable for Sensor
16	Adapter cable for Three-way valve
17	PS Module
18	Terminal boxes circulation pump GB132
19	transformer type EI 66/30 completely
20	cover for transformer GB132T
21	Harness Low Voltage
22	Harness high voltage GB152T
23	Connecting terminal 2-polig may green
24	connecting terminal 2- pin orange
25	Connect. term. 2-polig tomato red
26	connecting terminal 2- pin blue
27	connecting terminal 2- pin grey
28	Connecting terminal pluggable 3-pole EMS
<b>7A</b>	<b>Element of construction</b>
1	Reservoir 150
2	Anode 120
3	Cylinder connection set (Sensor) AS1,6
4	KFE-Tap
5	Fixing bracket
6	Pipe
7	Fixing bracket
8	Fixing bracket
9	Fixing bracket
10	Screw tapping no10 x 13 pan head
11	Flow pipe
12	Washer 18.6 X 13.5 X 1.5 (10x)
13	Flow pipe
14	Fibre washer 23.9 X 17.2 X 1.5 (10x)
15	Washer 1" (10x)
16	Covering sheet
17	Flow pipe
18	Clip with Spring (5x)

**Übersetzungsliste**  
**List of translations**

Pos	Description
19	O-ring 18.72 x2.62 (10x)
20	Flow pipe
21	Spring Plug D18,5 (5x)
<b>7B Element of construction</b>	
1	Storage tank 83
2	Anode
3	Temperature sensor
4	Cable
5	KFE-Tap
6	Pipe
7	Flow pipe
8	Washer 18.6 X 13.5 X 1.5 (10x)
9	Flow pipe
10	Fibre washer 23.9 X 17.2 X 1.5 (10x)
11	Washer 1" (10x)
12	Fixing bracket
13	Fixing bracket
14	Fixing bracket
15	Screw tapping no10 x 13 pan head
16	Covering sheet
17	Spring Plug D18,5 (5x)
<b>7C Element of construction</b>	
1	Reservoir 170 solar
2	Anode 480mm
3	Temperature sensor
4	Cable
5	KFE-Tap
6	Pipe
7	Flow pipe
8	Washer 18.6 X 13.5 X 1.5 (10x)
9	Flow pipe
10	Fibre washer 23.9 X 17.2 X 1.5 (10x)
11	Washer 1" (10x)
12	Fixing bracket
13	Fixing bracket
14	Fixing bracket
15	Screw tapping no10 x 13 pan head
16	Covering sheet
17	Spring Plug D18,5 (5x)
18	Pipe
19	Fixing bracket
20	temperature sensor RD9,7 3100mm 10k
<b>7D Element of construction</b>	
1	Reservoir 210 solar
2	Anode 150
3	Temperature sensor
4	Cable
5	KFE-Tap
6	Inlet tube 210
7	Flow pipe
8	Washer 18.6 X 13.5 X 1.5 (10x)
9	Flow pipe
10	Fibre washer 23.9 X 17.2 X 1.5 (10x)
11	Washer 1" (10x)
12	Fixing bracket
13	Fixing bracket
14	Fixing bracket

**Übersetzungsliste**  
**List of translations**

Pos	Description
15	Screw tapping no10 x 13 pan head
16	Covering sheet
17	Spring Plug D18,5 (5x)
18	Inlet/Outlet tube
19	Fixing bracket
20	temperature sensor RD9,7 3100mm 10k
21	O-ring
<b>8A</b>	<b>Element of construction</b>
1	Pipe
2	O-ring 17x4
3	O-ring 13,87x3,53 (10x)
4	Clip (10x)
5	Pipe
6	Washer 18.6 X 13.5 X 1.5 (10x)
7	Heat exchanger
8	Seal plate heat exchanger Sek Wue 15mm
9	Connection bush
10	Screw & washer assembly M5x30
11	Wire form spring 18 mm (x10)
12	Connection bush
13	Connection union
14	Fibre washer 23.9 X 17.2 X 1.5 (10x)
15	Vent valve
16	Swing check valve
17	Pump UP 10-30 130mm G3/4
18	Flow pipe
19	Washer 1" (10x)
20	Temperature sensor
21	Flow pipe
22	Clip with Spring (5x)
23	O-ring 18.72 x2.62 (10x)
24	Flow pipe
<b>8B</b>	<b>Element of construction</b>
1	Pipe
2	O-ring 17x4
3	O-ring 13,87x3,53 (10x)
4	Clip (10x)
5	Pipe
6	Washer 18.6 X 13.5 X 1.5 (10x)
7	Heat exchanger
8	Seal plate heat exchanger Sek Wue 15mm
9	Connection bush
10	Screw & washer assembly M5x30
11	Wire form spring 18 mm (x10)
12	Connection bush
13	Connection union
14	Fibre washer 23.9 X 17.2 X 1.5 (10x)
15	Vent valve
16	Swing check valve
17	Pump UP 10-30 130mm G3/4
20	Temperature sensor
21	Flow pipe
22	Clip with Spring (5x)
23	O-ring 18.72 x2.62 (10x)
24	Flow pipe
<b>9</b>	<b>Element of construction</b>
1	Solar-Expansionvessel SAG18











Bosch Thermotechnik GmbH  
Sophienstraße 30-32  
D-35576 Wetzlar  
[www.buderus.de](http://www.buderus.de)

**Buderus**