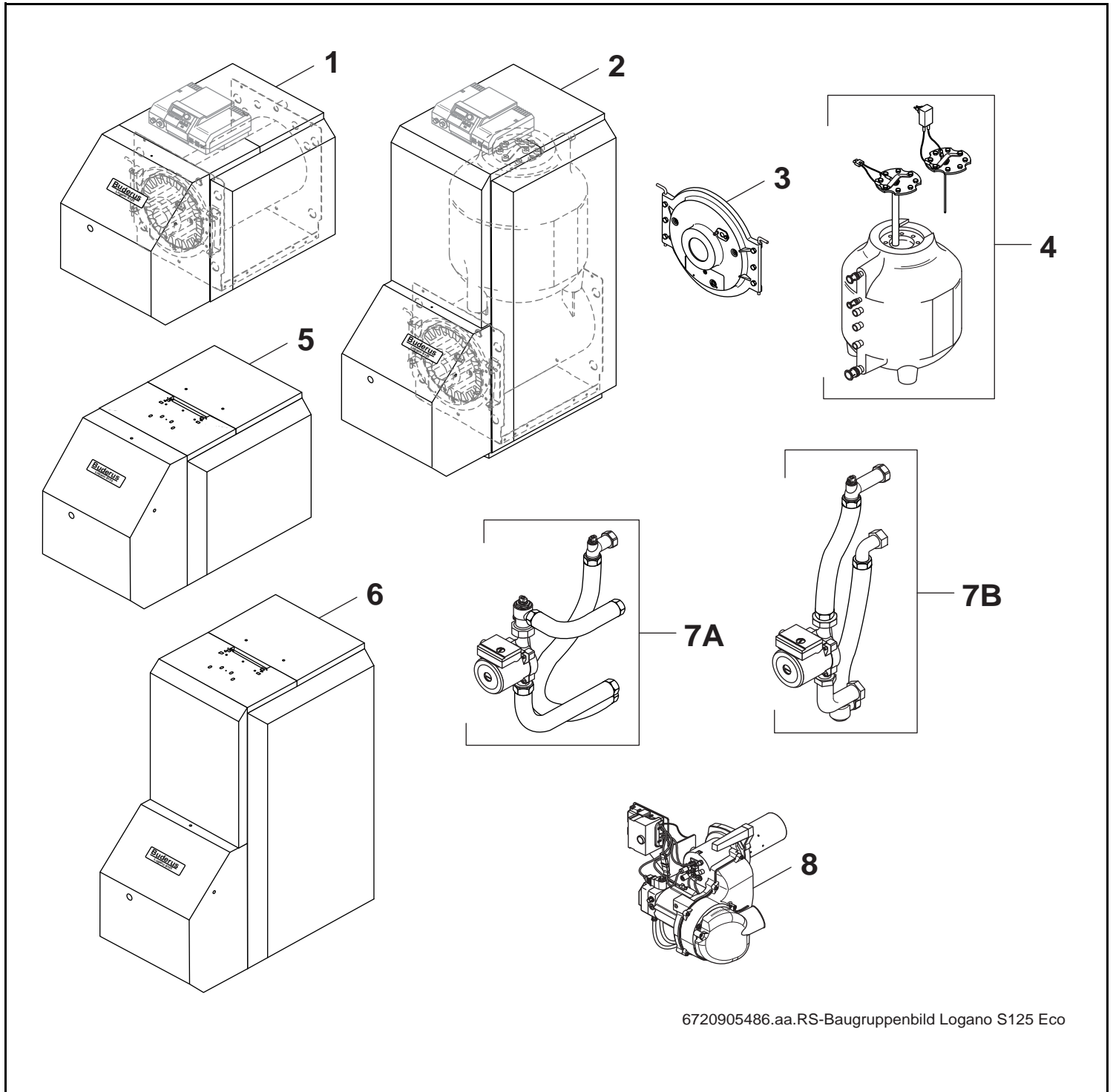


Logano S125 Eco



6720905486.aa.RS-Baugruppenbild Logano S125 Eco

Buderus

Wichtige Hinweise

- Ersatzteile dürfen nur von einem zugelassenen Installateur eingebaut werden!
- Im Anhang finden Sie:
 - die Übersetzungen aller verwendeten Teilebezeichnungen
 - eine Übersicht der Gerätetypen und Länder, für die diese Ersatzteilliste gilt.

Important notes

- The spare parts may only be installed by an approved installer!
- In the appendix you will find:
 - a list of translations of the names of all parts used
 - a list of the models and countries to which this spare parts list applies.

Indications importantes

- L'installation des pièces de rechange doit être effectuée par un professionnel qualifié!
- Veuillez trouver en annexe:
 - les traductions de toutes les désignations des pièces utilisées
 - une vue globale des types de chaudières et des pays pour lesquels la présente liste des pièces de rechange est valable.

Avvertenze importanti

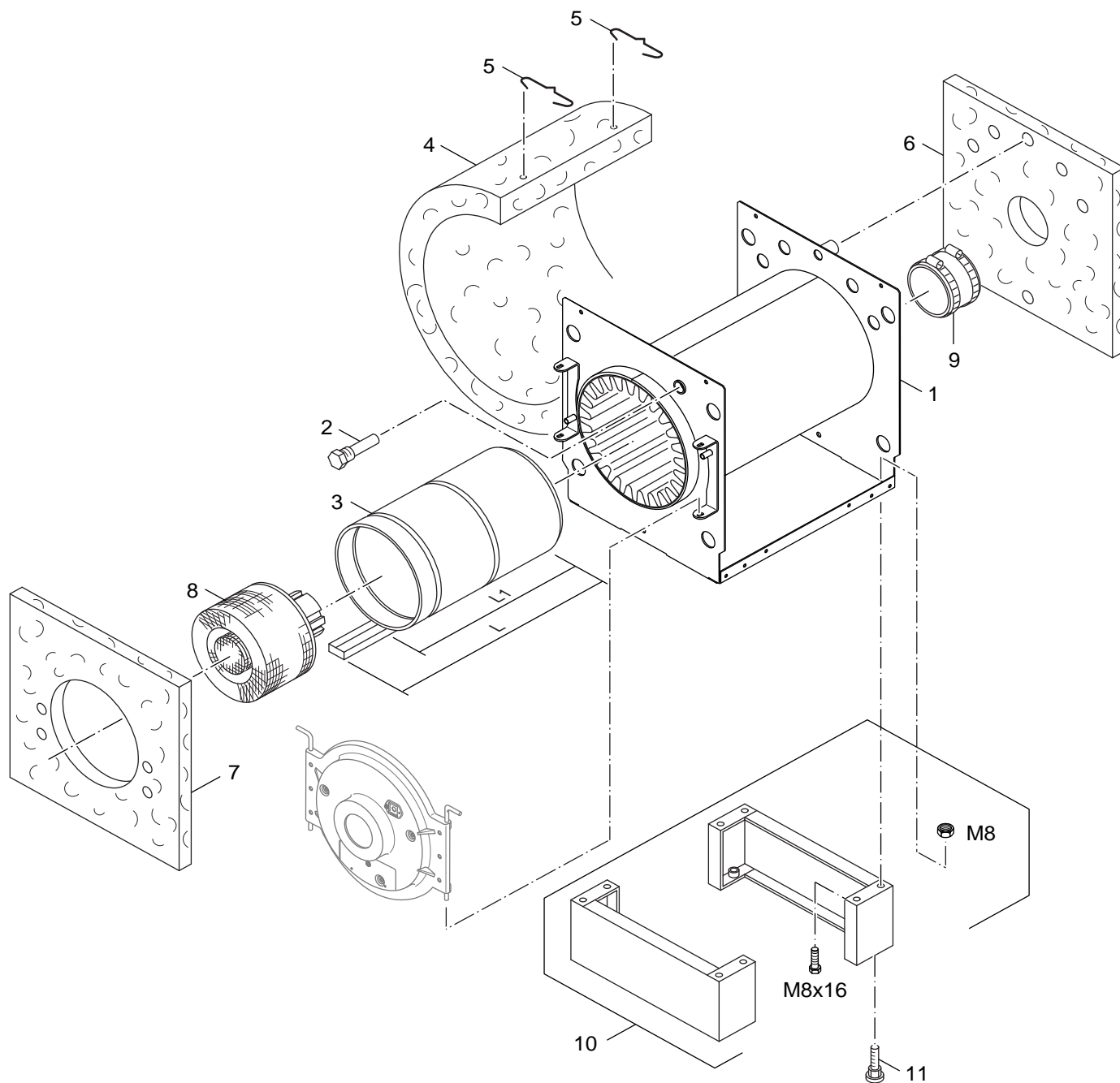
- Le parti di ricambio possono essere montate esclusivamente da personale qualificato ed in possesso dei requisiti tecnico-professionali!
- In appendice sono reperibili:
 - traduzione di ogni descrizione relativa alle varie parti di ricambio
 - elenco di sigle e codici, corrispondente ai vari paesi di destinazione.

Indicaciones importantes

- Los repuestos solamente deben ser montados por los servicios técnicos oficiales de la marca!
- En el anexo podrá encontrar:
 - la traducción de todas las denominaciones de piezas empleadas
 - una relación de los tipos de aparato y países en los que se aplica esta lista de repuestos.

Belangrijke aanwijzing

- Onderdelen mogen alleen door een erkend installateur worden vervangen!
- In de bijlage vindt u:
 - de vertalingen van de gebruikte onderdelentekeningen
 - een overzicht van toesteltypen en de landen waarvoor deze onderdelenlijst bedoeld is.



7747101243.aa.RS-Kesselblock S125 Eco, S125T Eco

1
Kesselblock S125 Eco
Boiler block S125 Eco
Corps de chauffe S125 Eco
Corpo caldaia S125 Eco
Ketelblok S125 Eco
Bloque de la caldera S125 Eco

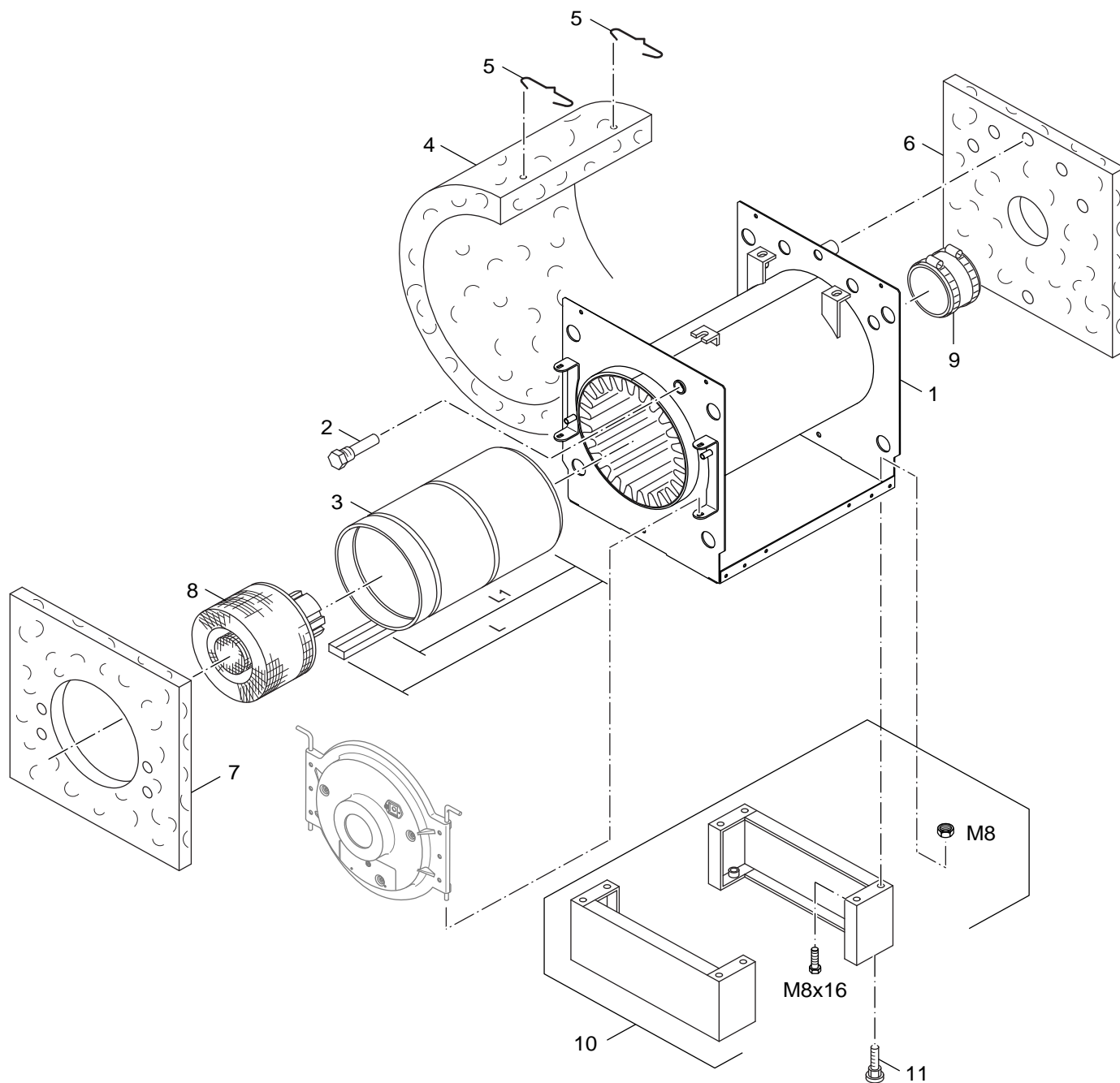
Logano S125 Eco

| Pos | Bezeichnung description dénomination descrizioni benaming descripció | Bestell-Nr. Ordering no. Numero de commande n° d'ordine Bestelnummer Número el ordenar | S125-17 BE ECO | S125-17/21 ECO | S125-21 BE ECO | S125-28 BE ECO | S125-28 ECO | S125-34 BE ECO | S125-35 ECO | | | | | | | | | | | Bemerkungen Remarks Remarques Osservazioni Opmerkingen Observaciones |
|-----|---|---|----------------|----------------|----------------|----------------|-------------|----------------|-------------|--|--|--|--|--|--|--|--|--|--|---|
| 1 | Kesselblock S115/S125-17KW V3 Ersatz | 7 747 010 314 | ■ | | | | | | | | | | | | | | | | | |
| 1 | Kesselblock S115/S125-21KW V3 Ersatz | 7 747 010 315 | | ■ | ■ | | | | | | | | | | | | | | | |
| 1 | Kesselblock S115/S125-28KW V3 Ersatz | 7 747 010 316 | | | | ■ | ■ | | | | | | | | | | | | | |
| 1 | Kesselblock S115/S125-35KW ECO Ersatz | 7 747 010 317 | | | | | | ■ | ■ | | | | | | | | | | | |
| 2 | Tauchhülse R3/4"x100mm | 5446065 | ■ | ■ | ■ | ■ | ■ | ■ | ■ | | | | | | | | | | | |
| 3 | Flammtopf kompl. 17kW BE/TE-Brenner | 63015287 | ■ | | | | | | | | | | | | | | | | | |
| 3 | Flammtopf kompl. 17-21kW Fremdbrenner | 63015279 | | ■ | | | | | | | | | | | | | | | | |
| 3 | Flammtopf kompl. 21kW BE/TE-Brenner | 63015285 | | | ■ | | | | | | | | | | | | | | | |
| 3 | Flammtopf kompl. 28kW BE/TE-Brenner | 63015286 | | | | ■ | ■ | | | | | | | | | | | | | |
| 3 | Flammtopf kompl. 34kW BE/TE-Brenner | 63015288 | | | | | | ■ | | | | | | | | | | | | |
| 3 | Flammtopf kompl. 35kW BE/BRE/RE-Brenner | 63015283 | | | | | | | ■ | | | | | | | | | | | |
| 4 | Wärmeschutz Kesselblock 17-21kW | 63038849 | ■ | ■ | ■ | | | | | | | | | | | | | | | |
| 4 | Wärmeschutz Kesselblock 34-35kW | 63038427 | | | | | | ■ | ■ | | | | | | | | | | | |
| 4 | Wärmeschutz Kesselblock 28kW | 63038850 | | | | ■ | ■ | | | | | | | | | | | | | |
| 5 | Haltefeder (10x) | 7 747 016 084 | ■ | ■ | ■ | ■ | ■ | ■ | ■ | | | | | | | | | | | |
| 6 | Wärmeschutz Rückwand 17-28kW | 63038848 | ■ | ■ | ■ | ■ | ■ | | | | | | | | | | | | | |
| 6 | Wärmeschutz Rückwand 34-35kW | 63038426 | | | | | | ■ | ■ | | | | | | | | | | | |
| 7 | Wärmeschutz Vorderwand 17-28kW | 63038425 | ■ | ■ | ■ | ■ | ■ | | | | | | | | | | | | | |
| 7 | Wärmeschutz Vorderwand 34-35kW | 63038424 | | | | | | ■ | ■ | | | | | | | | | | | |
| 8 | Abgasschalldämpfer S115/S125 - 17-28 kW | 5979530 | ■ | ■ | ■ | ■ | ■ | | | | | | | | | | | | | |
| 8 | Abgasschalldämpfer S115 Größe 34-35 kW | 5979535 | | | | | | ■ | ■ | | | | | | | | | | | |
| 9 | Abgasrohr-Abdichtmanschette DN130 kompl. | 5354010 | ■ | ■ | ■ | ■ | ■ | | | | | | | | | | | | | |
| 9 | Abgasrohr-Abdichtmanschette DN150 kompl. | 5354012 | | | | | | ■ | ■ | | | | | | | | | | | |
| 10 | Kesselunterbau S115/S125 17-28kW | 5093012 | ■ | ■ | ■ | ■ | ■ | | | | | | | | | | | | | |
| 10 | Kesselunterbau S115/S125/S325 34-43 kW | 5174255 | | | | | | ■ | ■ | | | | | | | | | | | |
| 11 | Fußschrauben S115/S125 (Set 4 St.) | 9088906 | ■ | ■ | ■ | ■ | ■ | ■ | ■ | | | | | | | | | | | |

Logano S125 Eco

Kesselblock S125 Eco
 Boiler block S125 Eco
 Corps de chauffe S125 Eco
 Corpo caldaia S125 Eco
 Ketelblok S125 Eco
 Bloque de la caldera S125 Eco

1

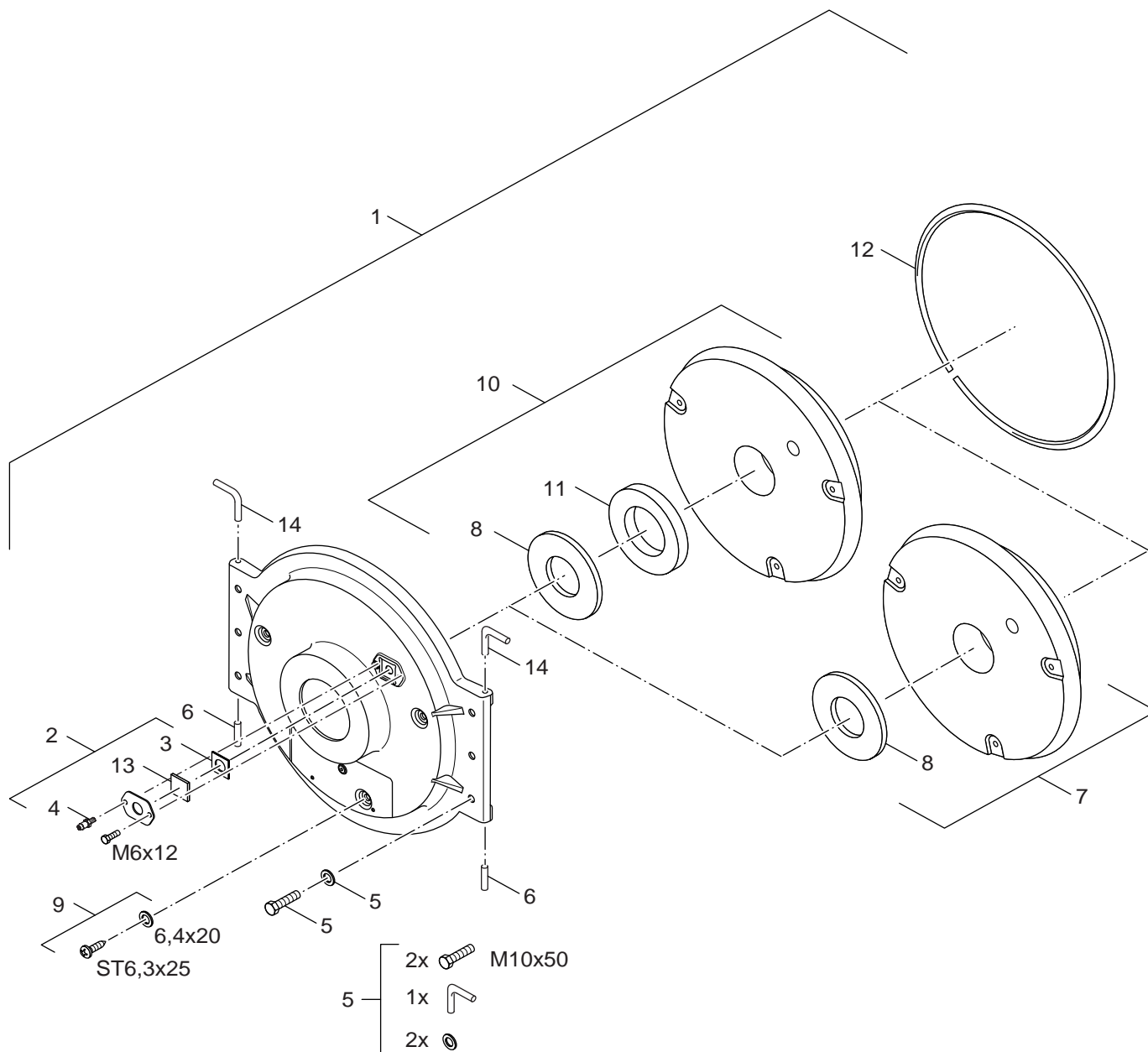


6720905553.aa.RS-Kesselblock S125T Eco

2

Kesselblock S125T Eco
Boiler block S125T Eco
Corps de chauffe S125T Eco
Corpo caldaia S125T Eco
Ketelblok S125T Eco
Bloque de la caldera S125T Eco

Logano S125 Eco



1024113.aa.RS-Brennertür S125 Eco, S125T Eco

3

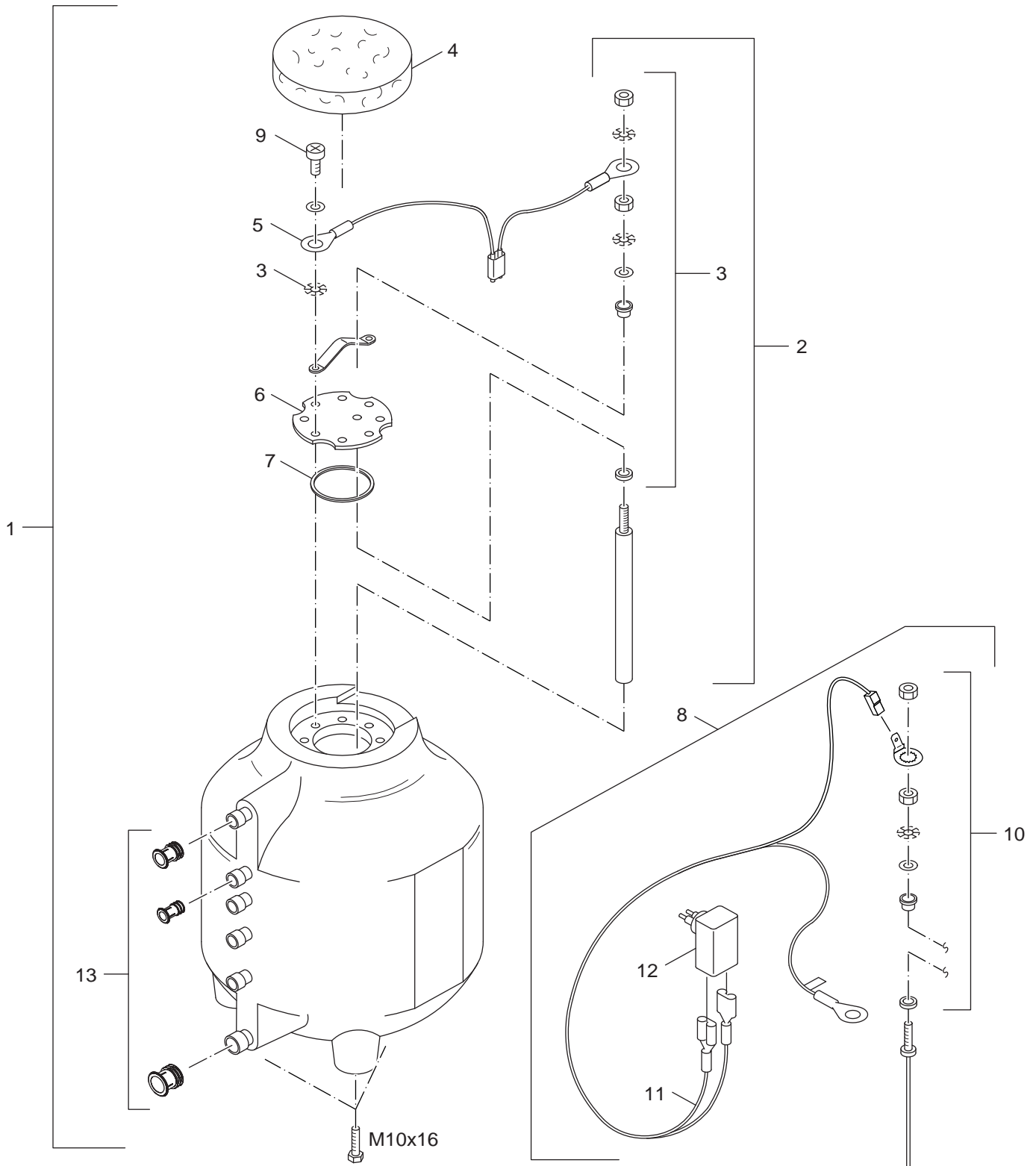
Brennertür S125 Eco, S125T Eco
Burner door S125 Eco, S125T Eco
Brûleur Porte S125 Eco, S125T Eco
Bruciatore Porta S125 Eco, S125T Eco
branderdeur S125 Eco, S125T Eco
quemador Puerta S125 Eco, S125T Eco

Logano S125 Eco

Ersatzteilliste
Spare parts list

Liste des pièces de rechange
Lista parti di ricambio

Onderdelenlijst
Lista de repuestos

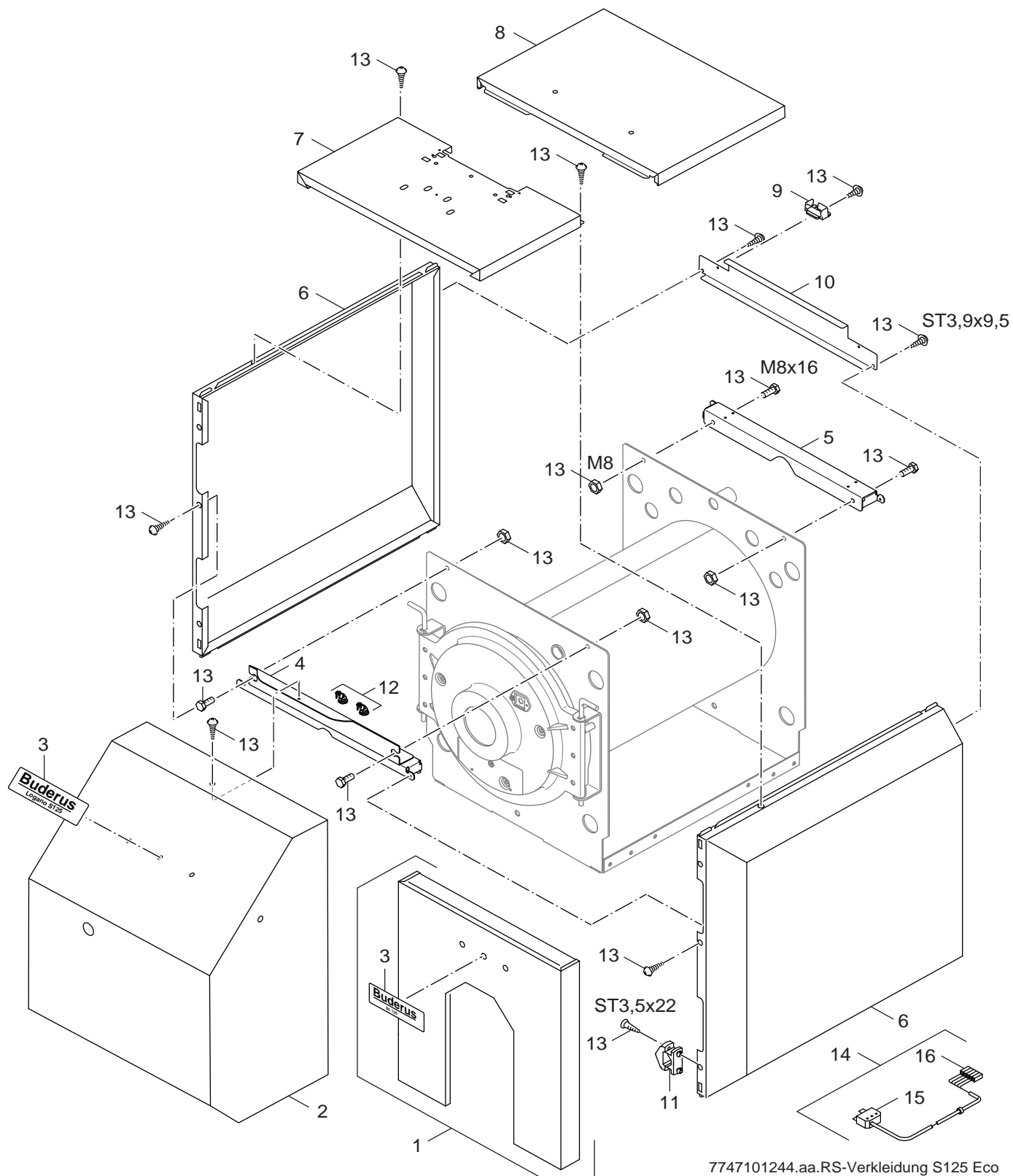


1024114.aa.RS-Speicher S125T Eco

4

Speicher S125T Eco
Storage tank S125T Eco
Ballon S125T Eco
Bollitore S125T Eco
Voorraadvat S125T Eco
Acumulador S125T Eco

Logano S125 Eco



7747101244.aa.RS-Verkleidung S125 Eco

5

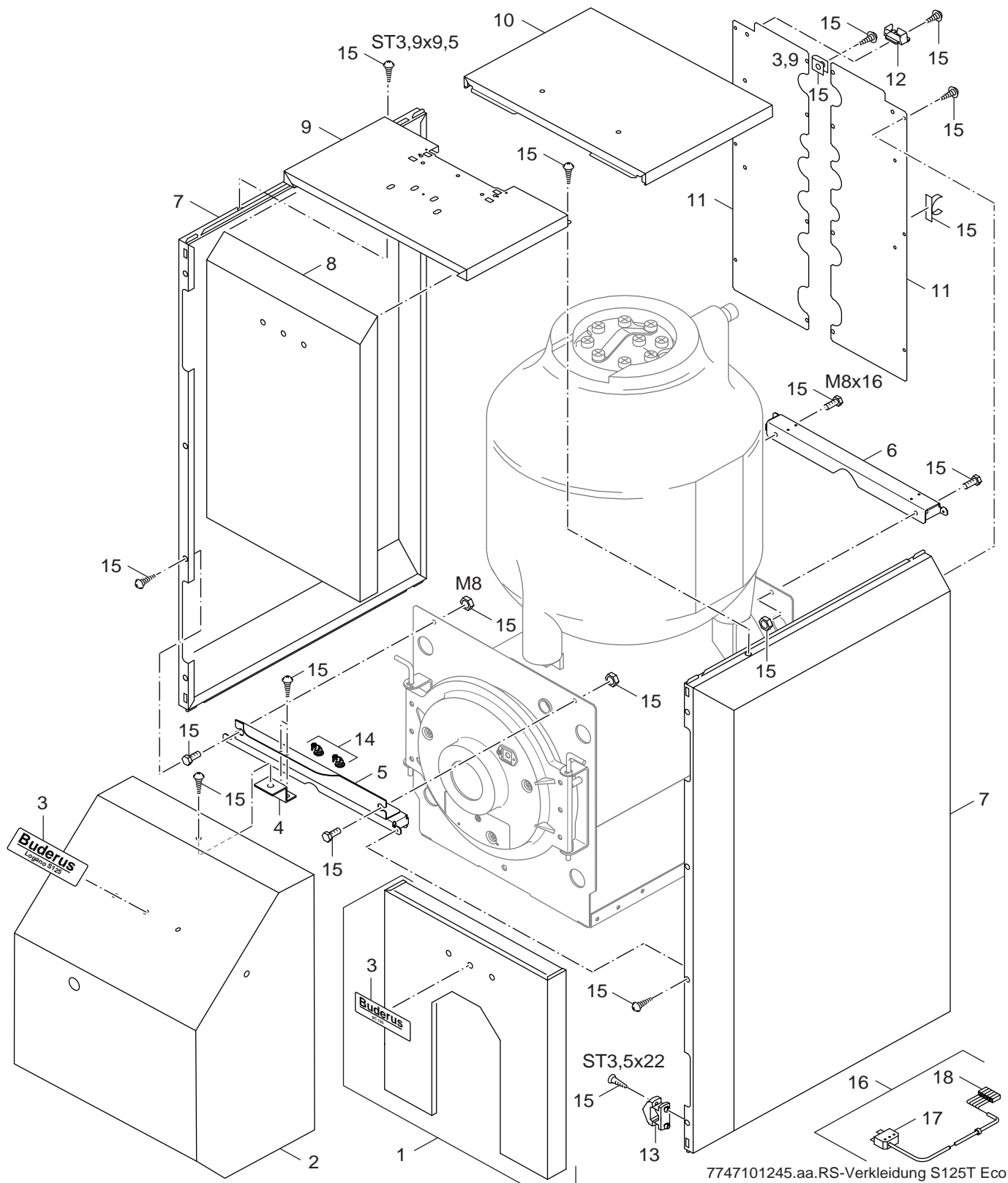
Verkleidung S125 Eco
front shell S125 Eco
habillage S125 Eco
Carénage S125 Eco
Rivestimento S125 Eco
revestimiento S125 Eco

Logano S125 Eco

Ersatzteilliste
Spare parts list

Liste des pièces de rechange
Lista parti di ricambio

Onderdelenlijst
Lista de repuestos

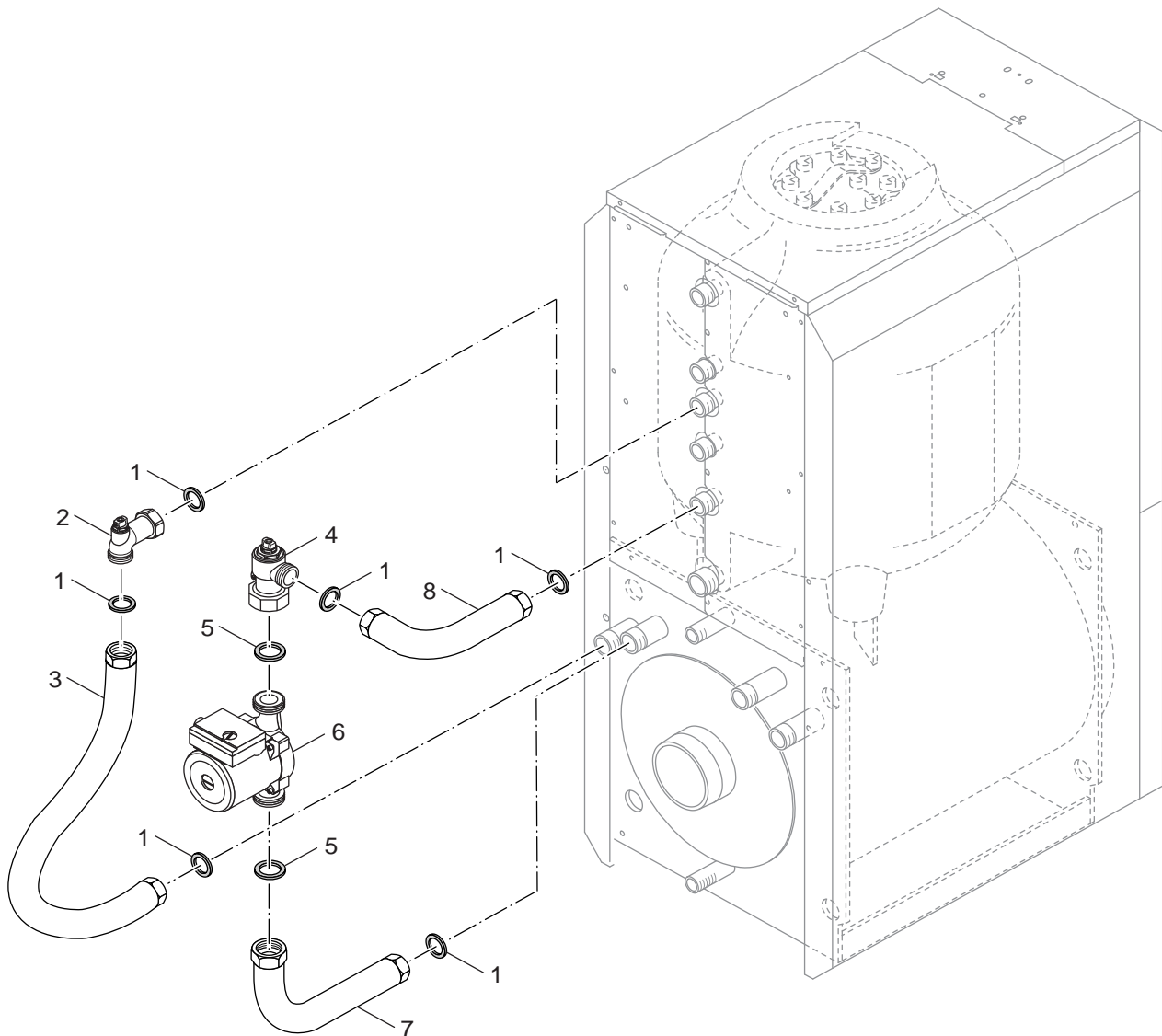


7747101245.aa.RS-Verkleidung S125T Eco

6

Verkleidung S125T Eco
front shell S125T Eco
habillage S125T Eco
Carénage S125T Eco
Rivestimento S125T Eco
revestimiento S125T Eco

Logano S125 Eco

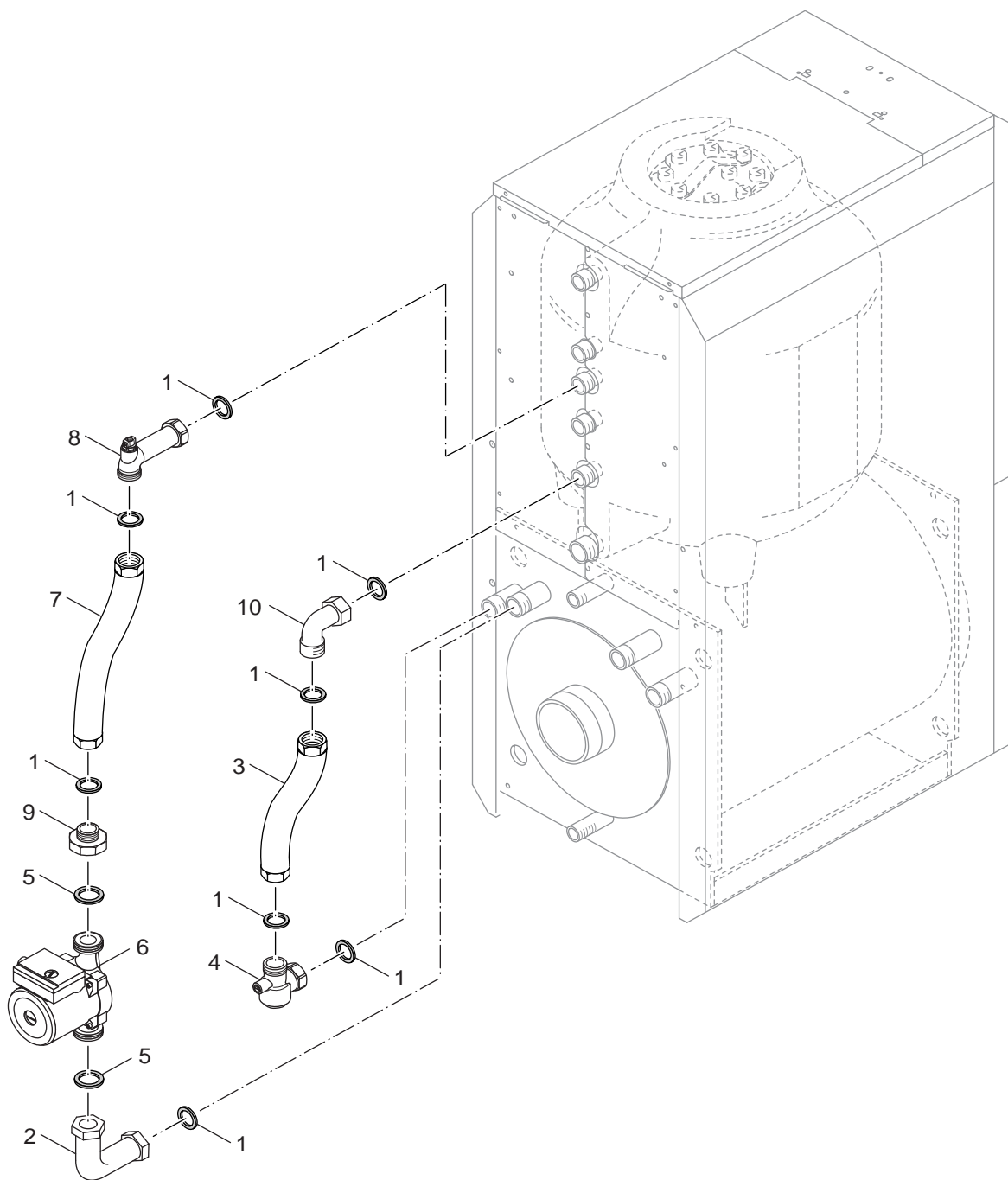


1024115.aa.RS-Rohrgruppe S115/S125 - 17-28kW T150

7

Rohrgruppe S115/S125 17-28kW T150
pipe assembly S115/S125 17-28 T150
RACC S115/S125 17-28kW T150
pipe assembly S115/S125 17-28 T150
A pipe assembly S115/S125 17-28 T150
Kit conexion S115/S125 17-28kW T150

Logano S125 Eco

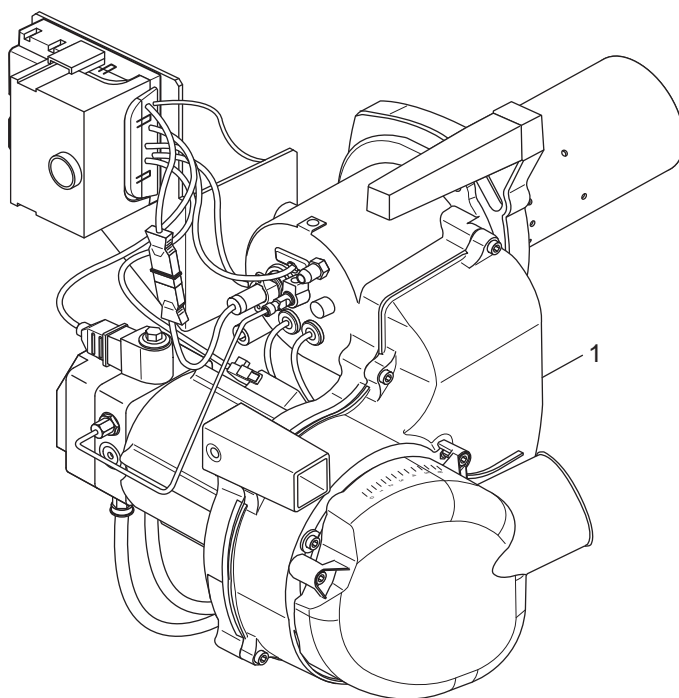


6720905485.aa.RS-Rohrgruppe S115/S125 - 34/35kW T150

7
B

Rohrgruppe S115/S125 34/35kW T150
pipe assembly S115/S125 34/35kW T150
RACC S115/S125 34/35kW T150
pipe assembly S115/S125 34/35kW T150
pipe assembly S115/S125 34/35kW T150
Kit de conexion S115/S125 34/35kW T150

Logano S125 Eco



6720905563.aa.RS-Brennervarianten BE ECO

Logano S125 Eco

8

Brenner Variante BE ECO
burner version BE ECO
Brander Version BE ECO
Brûleur version BE ECO
Bruciatore version BE ECO
quemador versión BE ECO

| Übersetzungsliste List of translations | | Liste des traductions Traduzione delle descrizioni | | Vertalinglijst Lista de traducciones | |
|---|--|---|--|--|--|
| Pos | Description | Denomination | Descrizione | Benaming | Descripción |
| 1 | Element of construction | Groupe de construction | Gruppo di costruzione | Montagegroep | Grupo de construcción |
| 1 | Boiler block S115/S125-17KW V3 spare | Corps de chauffe S115/S125-17KW V3 | Corpo caldaia S115/S125-17KW V3 | Ketelblok S115/S125-17KW V3 | Cuerpo de caldera S115/S125-17KW V3 |
| 2 | Sensor well R3/4"x100mm | DOIGT DE GANT 3/4x 100mm | Pozzetto ad immersione R3/4"x100mm | Dompelhuls R3/4"x100mm | Vaina 3/4" x 100 mm |
| 3 | Combustion chamber 17/21 external | POT DE COMBUSTION S115/S125 T21 | Camera secca 17-21kW | Circulaire brander 17-21kW | cazoleta de combustión 17-21kW |
| 4 | Thermal insu boiler block 34-35kW | Isolation corps de chaud. 34-35kW | Isolamento Corpo caldaia 34-35kW | Isolatie ketelblok 34-35kW | aislamiento cuerpo de caldera 34-35kW |
| 5 | Retaining spring (10Pc) | Ressorts de retenue (10x) | Molla di tenuta (10x) | Borgveer (10x) | Muelle tensor para aislamientos |
| 6 | Thermal insulation rear panel 34-35kW | Isolation panneau arrière 34-35kW | isolamento Parete posteriore 34-35kW | Isolatie Achterwand 34-35kW | aislamiento pared trasera 34-35kW |
| 7 | Thermal insulation front panel 34-35kW | Isolation panneau avant 34-35kW | isolamento Parete anteriore 34-35kW | Isolatie Voorwand 34-35kW | aislamiento Pared delantero 34-35kW |
| 8 | Flue gas silencer size S115/S125 17-28kW | PIEGE A SON CYLIND. S115/S125 -17-28 KW | Silenziatore gas combusti 17-28KW | rookgasgeluiddemper S115/S125 - 17-28 kW | Silenciador de gases de escape 17-28 kW |
| 9 | Flue pipe sealing collar DN130 | MANCHET ETANCHEI DN 130 | Manic. ermetiz. tubo fumi DN 130 compl. | Afd.manchet rookgasleiding DN130 compl. | Manguito estanqueidad DN 130 silenciador |
| 10 | boiler base, boiler S115/S125 size 17-28 | Socle de chaudière 190mm modèle S115 | Sottofondo caldaia S115/S125 17-28kW | ketelfundament S115/S125 17-28kW | base de la caldera S115/S125 17-28kW |
| 11 | Inst-mat S115/S125/TT11 (Set 4 St.) | Pieds vissés S115/S125 (Set 4 St.) | Vite S115/S125 (Set 4 St.) | Schroef S115/S125 (Set 4 St.) | tornillo S115/S125 (Set 4 St.) |
| 2 | Element of construction | Groupe de construction | Gruppo di costruzione | Montagegroep | Grupo de construcción |
| 1 | Boiler block S115/S125-28T replace V3 | CORPS CHAUD FIOUL S115/S125T - 28KW V3 | Corpo caldaia S115/S125-28T V3 | ketelblok S115/S125-28T V3 | cuerpo de caldera S115/S125-28T V3 |
| 2 | Sensor well R3/4"x100mm | DOIGT DE GANT 3/4x 100mm | Pozzetto ad immersione R3/4"x100mm | Dompelhuls R3/4"x100mm | Vaina 3/4" x 100 mm |
| 3 | Combustion chamber 17/21 external | POT DE COMBUSTION S115/S125 T21 | Camera secca 17-21kW | Circulaire brander 17-21kW | cazoleta de combustión 17-21kW |
| 4 | Thermal insulation 17-21kW | ISOL CORPS CHAUD 17-21kW | Isolamento Corpo caldaia 17-21kW | Isolatie ketelblok 17-21kW | aislamiento cuerpo de caldera 17-21kW |
| 5 | Retaining spring (10Pc) | Ressorts de retenue (10x) | Molla di tenuta (10x) | Borgveer (10x) | Muelle tensor para aislamientos |
| 6 | Thermal insulation rear panel 34-35kW | Isolation panneau arrière 34-35kW | isolamento Parete posteriore 34-35kW | Isolatie Achterwand 34-35kW | aislamiento pared trasera 34-35kW |
| 7 | Thermal insulation front panel 34-35kW | Isolation panneau avant 34-35kW | isolamento Parete anteriore 34-35kW | Isolatie Voorwand 34-35kW | aislamiento Pared delantero 34-35kW |
| 8 | Flue gas silencer size S115/S125 17-28kW | PIEGE A SON CYLIND. S115/S125 -17-28 KW | Silenziatore gas combusti 17-28KW | rookgasgeluiddemper S115/S125 - 17-28 kW | Silenciador de gases de escape 17-28 kW |
| 9 | Flue pipe sealing collar DN130 | MANCHET ETANCHEI DN 130 | Manic. ermetiz. tubo fumi DN 130 compl. | Afd.manchet rookgasleiding DN130 compl. | Manguito estanqueidad DN 130 silenciador |
| 10 | boiler base, boiler S115/S125 size 17-28 | Socle de chaudière 190mm modèle S115 | Sottofondo caldaia S115/S125 17-28kW | ketelfundament S115/S125 17-28kW | base de la caldera S115/S125 17-28kW |
| 11 | Inst-mat S115/S125/TT11 (Set 4 St.) | Pieds vissés S115/S125 (Set 4 St.) | Vite S115/S125 (Set 4 St.) | Schroef S115/S125 (Set 4 St.) | tornillo S115/S125 (Set 4 St.) |
| 3 | Element of construction | Groupe de construction | Gruppo di costruzione | Montagegroep | Grupo de construcción |
| 1 | Burner door S/SC115/S125 size 17-28kW | Porte Brûleur S/SC115/S125 TE/BE 17-28 | Porta Bruciatore S/SC115/S125 17-28kW | Branderdeur S/SC115/S125 17-28kW | Puerta quemador S/SC115/S125 17-28kW |
| 2 | Viewing hole lock V3 compl. | WISEUR FLAM V3 | Chiusura spioncino V3 compl. | Kijkgatafsluiting V3 compl. | mirilla completa V3 |
| 3 | Gasket 30x30x3 | JOINT 30 X 30 X3 | Guarnizione 30x30x3 | Afdichting 30x30x3 | Junta 30x30x3 |
| 4 | Measuring nozz M6 SW10 V2 | Injecteur de mesure de pression M6 SW10 | Ugello misura della pressione M6 SW10 V2 | Drukmeetmondstuk M6 SW10 V2 | Tobera de medición de la presión M6 SW10 |
| 5 | installation material burner door | matériel de montage Porte de brûleur | materiale per il montaggio Porta del bru | Montagemateriaal brander deur | material de montaje Puerta del quemador |
| 6 | Rivet DIN 1472 8x40mm (2pieces) | Goupille cannelée DIN 1472 8x40 (2x) | Perno a tacche DIN 1472 8x40mm (2x) | Kefstift DIN 1472 8x40mm (2x) | espárrago estriado DIN 1472 8x40mm (2x) |
| 7 | Thermal insulation burner door | ISOL PORTE BRUL 17-28kW / 39-70kW | isolamento Porta 17-28kW / 39-70kW | Isolatie Deur 17-28kW / 39-70kW | Aislamiento Puerta D8x45/45 |
| 8 | Insulating mat set size 17-70kW | ISOLATION 17-70kW | isolamento 17-70kW | Isolatie 17-70kW | aislamiento 17-70kW |
| 9 | Install material thermal insulation door | MATERIEL MONTAGE ISOL PORTE BRUL S115 | materiale per il montagg Isolamento Port | Montagemateriaal Isolatie deur | material de montaje aislamiento Puerta |
| 10 | Heat protection plate size 35-43kW | Plaque d'isolation compl. 35-43kW | isolamento Porta 35-43kW | Isolatie Deur 35-43kW | aislamiento Puerta 35-43kW |
| 11 | insulating blanket 25xD192xD110mm size | Isolation 25xD192xD110mm, 35-70kW | isolamento 25xD192xD110mm, 35-70kW | Isolatie 25xD192xD110mm, 35-70kW | aislamiento 25xD192xD110mm, 35-70kW |
| 12 | Packing cords GPO 15x1150mm | CORDON D'ETANCHEITE GPO 15X1150 LONG | Cordone ermetizzante GPO 15x1150mm | afdichtingkoord GPO 15x1150mm | cordón junta GPO 15x1150mm |
| 13 | Glass pane 30x30x3,3 repl pack | VERRE TEMPAX 30x30x3,3mm V2 | Lastra di vetro 30x30x3,3 | Glasvenster 30x30x3,3 | Hoja de cristal 30x30x3,3 |
| 14 | Hinge bolt D8x45/45mm | AXE CHARNIERE PORTE BRU. D8x45/45mm | Cerniera Bullone D8x45/45mm | Scharnier Bout D8x45/45mm | Perno bisagra D8x45/45mm |
| 4 | Element of construction | Groupe de construction | Gruppo di costruzione | Montagegroep | Grupo de construcción |
| 1 | DHW cylinder T150/1 | BALLON ECS L150 POUR | Accumulatore T150/1 | Vorraadvat T150/1 | Acumulador T150/1 |
| 2 | Anode D33x400mm | Anode D33x400mm | Anodo D33x400mm | Anode D33x400mm | anodo D33x400mm |
| 3 | Mounting kit magnesium anodes (10 pc) | Fixation pour anode (10 pces) | Set di fissaggio anodi di magnesio (10x) | Bevestigingsset magnesiumanoden (10x) | Set de Fijación del Anodo (10x) |
| 4 | Thermal insulation D290x50 mm | Isol trappe D290*50 | Disco termoisolante D 290x50 mm | Isolatieschijf D290x50 mm | Aislante Carcasa Superior D290x50 mm |
| 5 | Flue gas for magnesium anode | PRISE DE MASSE ANODE | Controllo per anodo di magnesio | Bewaking voor magnesiumanode | Cable Anodo Magnesio Con Comprobador |
| 6 | Manhole cover D210mm | Trappe visitest D210mm | Coperchio d'ispezione D210 mm | Deksel handgat D210mm | Brida registro D210 acumulador S115UT |
| 7 | Sealing ring 120x152x10 | Joint etancheite 120x152x10 | Anello di tenuta 120x152x10 | Afdichtring 120x152x10 | Junta D120x152x10mm brida registro acumu |
| 8 | Inert anode UP 400mm | Anode inerte UP400 avec branch | Anode inerte UP400 | Inertanode UP 400mm | Anodo inerte Correx UP 10-19-H7 |
| 9 | thread-forming screws M10 set (8x) | Vis à ressort M10x25 (8x) | Viti Selbstf M10x25 (8x) | Zelftapschroeven M10x25 (8x) | Tornillos automáticos M10x25 (8x) |
| 10 | Mounting kit inert anodes (5 pack) | Fixation Anode Inerte (5x) | Materiale per il Montaggio Anodo (5x) | Montagemateriaal Inertanode (5x) | Material de Montaje Anodo inerte (5x) |
| 11 | Connecting cable 3500mm long with | Cable de raccordement 3500mm avec | Cavo di collegamento 3500mm | aansluitkabel 3500mm | cable conexión 3500mm |
| 12 | Plug potentiostat UP 19H for AMP plug | Potentiometre UP 19h | Potenziostato connettore UP 19H | Potentiostaat UP 19H | potenciostato de enchufe UP 19H |
| 13 | Sleeve R3/4x35 | Manchon R3/4x35 | Boccola R3/4x35 | Huls R3/4x35 | Manguito R3/4x35 |
| 5 | Element of construction | Groupe de construction | Gruppo di costruzione | Montagegroep | Grupo de construcción |
| 1 | Cover S125 17-28 cpl verp | Couvercle avant S125 17-28KW | Parete anteriore S125 17-28KW | Voorwand S125 17-28KW | Pared delantero S125 17-28KW |
| 2 | Burner hood SC115/S125 17-28 SE/Eco | HABIL Brûleur SC115/S125 17-28KW SE/Eco | Cuffia del bruciatore SC115/S125 17-28KW | Branderkap SC115/S125 17-28KW SE/Eco | Cubierta del quemador SC115/S125 17-28KW |
| 3 | Badge Logano S125/S125T | Plaque signalétique S125/S125T | Targhetta caldaia S125/S125T | Typeplaat Logano S125/S125T | placa del aparato S125/S125T |

| Übersetzungsliste List of translations | | Liste des traductions Traduzione delle descrizioni | | Vertalinglijst Lista de traducciones | |
|---|---|---|--|---|--|
| Pos | Description | Denomination | Descrizione | Benaming | Descripción |
| 4 | Cross brace fr S/SC115/S125 | TRAVERSE AVANT S/SC115/S125 | Traversa S/SC115/S125 | Vangschaal S/SC115/S125 | mástil de refuerzo S/SC115/S125 |
| 5 | cross beam rear 17-28kW | Traverse derrière 17-28kW | Traversa dietro 17-28kW | Vangschaal achteraan 17-28kW | Cracasa trasera detrás 17-28kW |
| 6 | Side panel rear SC115/S125 17/21KW | Paroie latérale derrière SC115/S125 | Pannello laterale dietro SC115/S125 | Zijpaneel achteraan SC115/S125 17/21KW | parte lateral detrás SC115/S125 17/21KW |
| 7 | Hood front 34-35kW | Capot devant 34-35kW | Coperchio davanti 34-35kW | afdekkap vooraan 34-35kW | capota delante 34-35kW |
| 8 | Hood rear 34-35kW | Capot derrière 34-35kW | Coperchio dietro 34-35kW | afdekkap achteraan 34-35kW | capota detrás 34-35kW |
| 9 | Cable clip | ATTACHE RAPIDE | Angolare | Houder | Cable clip |
| 10 | Rear panel SC115 size 17-28kW | Panneau arrière SC115/S125 - 17-28kW | Parete posteriore SC115/S125 - 17-28kW | Achterwand SC115/S125 - 17-28kW | pared trasera SC115/S125 - 17-28kW |
| 11 | Cover terminal Strain relief | SERRE CABLE | Fermo antitrazione | Trekontlasting | Conexion a tierra GE515 |
| 12 | Strain relief for connecting lead | Sert-cable Cable de raccordement | Fermo antitrazione Cavo di collegamento | Trekontlasting aansluitkabel | Retenedor de cable conexión |
| 13 | installation material casing SC115/S125 | matériel de montage Carénage SC115/S125 | materiale per il montaggio Rivestimento | Montagemateriaal bekleding SC115/S125 | materiale de montaje revestimiento SC115 |
| 14 | Burner cabel 2350mm long | CABLE DE BRULEUR LONG 2350mm | Linea del bruciatore 2350mm | Branderleiding 2350mm | cable del quemador 2350mm |
| 15 | Connector part ST18/7 silver-plated | CONNECT ST 18/7 ARGENTE | Connessione a spina ST18/7 argentata | Stekkerdeel ST18/7 verzilverd | Clavija ST18/7 plateada |
| 16 | Connecting terminal 7-polig green BR | CONNECTEUR 7 POLES VERT CAB. BRUL | morsetto di collegamento verde 7-pol | afsluitklem groen 7-pol | Conector 7 polos verde BR |
| 6 | Element of construction | Groupe de construction | Gruppo di costruzione | Montagegroep | Grupo de construccion |
| 1 | Cover S125 17-28 cpl verp | Couvercle avant S125 17-28KW | Parete anteriore S125 17-28KW | Voorwand S125 17-28KW | Pared delantero S125 17-28KW |
| 2 | Burner hood SC115/S125 17-28 SE/Eco | HABIL Brûleur SC115/S125 17-28KW SE/Eco | Cuffia del bruciatore SC115/S125 17-28KW | Branderkap SC115/S125 17-28KW SE/Eco | Cubierta del quemador SC115/S125 17-28KW |
| 3 | Badge Logano S125/S125T | Plaqué signalétique S125/S125T | Targhetta caldaia S125/S125T | Typeplaat Logano S125/S125T | placa del aparato S125/S125T |
| 4 | Fuse corner burner hood SC115/S125 | EQUER FIX SC115/S125 | Fusibile Cuffia del bruciatore | Buissmeltveiligheid Branderkap | seguridad cubierta del quemador |
| 5 | Cross brace front S115T/SC115T/S125T | TRAVERSE AVANT S115T/SC115T/S125T | Traversa davanti S115T/SC115T/S125T | Vangschaal vooraan S115T/SC115T/S125T | Bandeja Fijación SC115/SC115T 17-28KW |
| 6 | cross beam rear 17-28kW | Traverse derrière 17-28kW | Traversa dietro 17-28kW | Vangschaal achteraan 17-28kW | Cracasa trasera detrás 17-28kW |
| 7 | Side panel S115T/SC115T/S125T | Paroie latérale S115T/SC115T/S125T | Pannello laterale S115T/SC115T/S125T | Zijpaneel S115T/SC115T/S125T | Carcasa lateral S115T/SC115T/S125T |
| 8 | Front top SC115T/S125T - 17-28KW | Couvercle avant supérieur - 17-28KW | Parete anteriore SC115T/S125T - 17-28KW | Voorwand SC115T/S125T - 17-28KW | Carasa Frontal Superior SC115/SC115T 17 |
| 9 | Hood front 34-35kW | Capot devant 34-35kW | Coperchio davanti 34-35kW | afdekkap vooraan 34-35kW | capota delante 34-35kW |
| 10 | Hood rear 34-35kW | Capot derrière 34-35kW | Coperchio dietro 34-35kW | afdekkap achteraan 34-35kW | capota detrás 34-35kW |
| 11 | Rear panel right/left S115UT/S125 | Dosseret droite gauche S115T/S125T | Parete posteriore des/sin S115T/S125T | Achterwand rechts links S115T/S125T | pared trasera der/iz S115T/S125T |
| 12 | Cable clip | ATTACHE RAPIDE | Angolare | Houder | Cable clip |
| 13 | Cover terminal Strain relief | SERRE CABLE | Fermo antitrazione | Trekontlasting | Conexion a tierra GE515 |
| 14 | Strain relief for connecting lead | Sert-cable Cable de raccordement | Fermo antitrazione Cavo di collegamento | Trekontlasting aansluitkabel | Retenedor de cable conexión |
| 15 | Installation-material casing S125T | matériel de montage Carénage S125T | materiale per il montaggio Rivestimento | Montagemateriaal bekleding S125T | materiale de montaje revestimiento S125T |
| 16 | Burner cabel 2350mm long | CABLE DE BRULEUR LONG 2350mm | Linea del bruciatore 2350mm | Branderleiding 2350mm | cable del quemador 2350mm |
| 17 | Connector part ST18/7 silver-plated | CONNECT ST 18/7 ARGENTE | Connessione a spina ST18/7 argentata | Stekkerdeel ST18/7 verzilverd | Clavija ST18/7 plateada |
| 18 | Connecting terminal 7-polig green BR | CONNECTEUR 7 POLES VERT CAB. BRUL | morsetto di collegamento verde 7-pol | afsluitklem groen 7-pol | Conector 7 polos verde BR |
| 7A | Element of construction | Groupe de construction | Gruppo di costruzione | Montagegroep | Grupo de construccion |
| 1 | Gasket D24x30,5x2mm (5 pieces) | Joint D24x30,5x2mm, (5 pièces) | Guarnizione D24x30,5x2mm, (5 pz.) | Afdichting D24x30,5x2mm, (5 stuks) | Junta D24x30,5x2mm, (5 ud.) |
| 2 | Elbow G1" | RACCORD COUDE G1" | Angolo Raccordo G1" | Hoeksteun Koppeling G1" | Codo De Conexión G1" S115" |
| 3 | Return connection pipe bend G1" | COUDE DE RACC RETOUR G1" CPL S115 | Tubo di ritorno Curva G1" | Retour-Aansluiting-Pijp G1" | Conexion completa Kit conex. G1" S115 |
| 4 | Angle non-return valve G1" | CLAPET ANTI RETOUR G1"XG1 1/2 | Valvola di non ritorno G1" | Terugslagklep G1" | Válvula De Retención G1" S115 |
| 5 | Gasket D28x44x2mm, black (5 pc in kit) | Joint D28x44x2mm, noir (5x) | Guarnizione D28x44x2mm, nero (5x) | pakking D28x44x2mm , zwart (5x) | junta D28x44x2mm, negro (5x) |
| 6 | Pump WILO RS25/6-3 180mm 9h Universal | Pompe WILO RS25/6-3 180mm 9h Universal | Pompa WILO RS25/6-3 180mm 9h Universal | Pomp WILO RS25/6-3 180mm 9h Universal | Bomba WILO RS25/6-3 180mm 9h Universal |
| 7 | Flow connection pipe bend G1 1/2"x G1" | COUDE DEPART POUR KIT S115T G1 1/2" x 1" | Tubo di mandata Curva G1 1/2"x G1" | Aanvoer-Aansluiting-Pijp G1 1/2"x G1" | Alimentación-Conexión-Tubo G1 1/2"x G1" |
| 8 | Flow connection pipe bend G1" | TUBE DE BRANCHEMENT DEPART G1" | Tubo di mandata Curva G1" | Aanvoer-Aansluiting-Pijp G1" | Tubo Curvado Conexión Impulsión G1" |
| 7B | Element of construction | Groupe de construction | Gruppo di costruzione | Montagegroep | Grupo de construccion |
| 1 | Gasket D24x30,5x2mm (5 pieces) | Joint D24x30,5x2mm, (5 pièces) | Guarnizione D24x30,5x2mm, (5 pz.) | Afdichting D24x30,5x2mm, (5 stuks) | Junta D24x30,5x2mm, (5 ud.) |
| 2 | Elbow G1"-G1 1/2" | Presse etoupe G1"-G1 1/2" | Raccordo filettato ad angolo G1"-G1 1/2" | Haakse schroefverbinding G1"-G1 1/2" | racor angular G1"-G1 1/2" |
| 3 | Metal corrugated hose DN25 465mm long | Tuyau flexible métallique DN25 465mm | Tubo flessibile DN25 465mm | Slang DN25 465mm | Mangera Metálica DN25 465mm |
| 4 | Angle non-return valve G1"-G1 1/2" | CLAPET ANTI RETOUR G1"-G1 1/2" | Valvola di non ritorno G1"-G1 1/2" | Terugslagklep G1"-G1 1/2" | válvula de retención G1"-G1 1/2" |
| 5 | Gasket D28x44x2mm, black (5 pc in kit) | Joint D28x44x2mm, noir (5x) | Guarnizione D28x44x2mm, nero (5x) | pakking D28x44x2mm , zwart (5x) | junta D28x44x2mm, negro (5x) |
| 6 | Pump WILO RS25/6-3 180mm 9h Universal | Pompe WILO RS25/6-3 180mm 9h Universal | Pompa WILO RS25/6-3 180mm 9h Universal | Pomp WILO RS25/6-3 180mm 9h Universal | Bomba WILO RS25/6-3 180mm 9h Universal |
| 7 | Metal corrugated hose DN 25 385mm long | TUBUL FLEXIBLE DN25 385mm | Tubo flessibile DN25 385mm | Slang DN25 385mm | Mangera Metálica DN25 385mm |
| 8 | Elbow G1" | RACCORD A VIS COUDE G1" COMPLET | Raccordo filettato ad angolo G1" | Haakse schroefverbinding G1" | racor angular G1" |
| 9 | Reducing piece G 1 1/2"-1" | Reduction G1 1/2"-1 | Riduzione G 1 1/2"-1" | Verloopnippel G 1 1/2"-1" | Reducción G 1 1/2"-1" |
| 10 | Angle G1" | Tubul coude G1 | Angolo G1" | Hoeksteun G1" | ángulo G1" |
| 8 | Element of construction | Groupe de construction | Gruppo di costruzione | Montagegroep | Grupo de construccion |
| 1 | oil burner BE 1.3-17 K ECO cpl | Brûleur fioul BE 1.3-17 K ECO | Bruciatore a gasolio BE 1.3-17 K ECO | Stookoliebrander BE 1.3-17 K ECO | quemador de gasóleo BE 1.3-17 K ECO |

Bosch Thermotechnik GmbH
Sophienstraße 30-32
D-35576 Wetzlar
www.buderus.de

Buderus